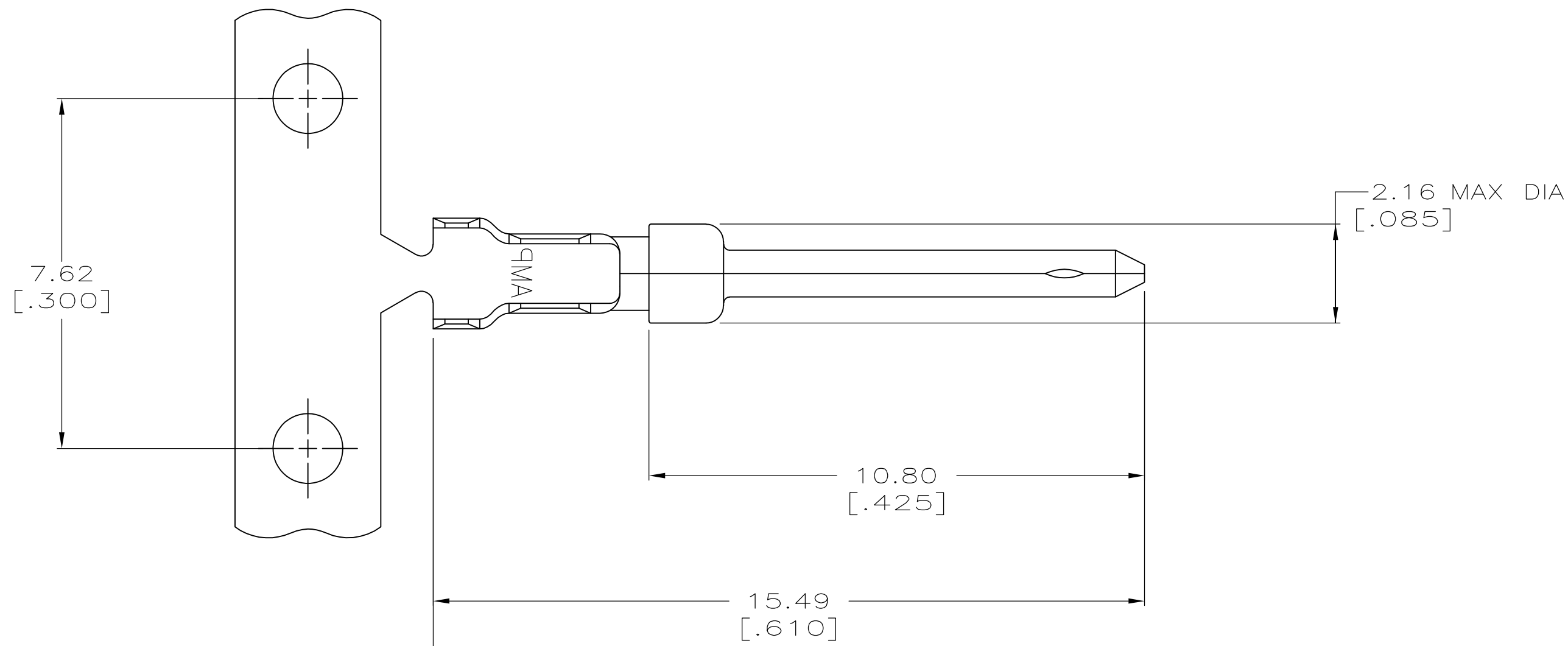


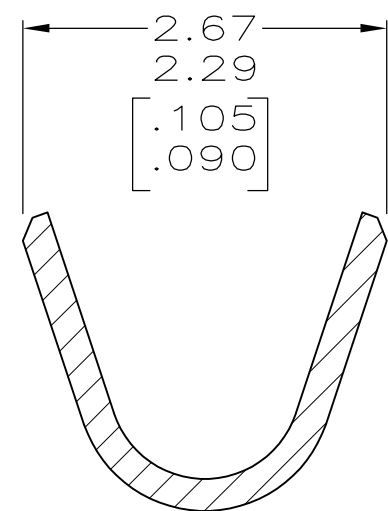
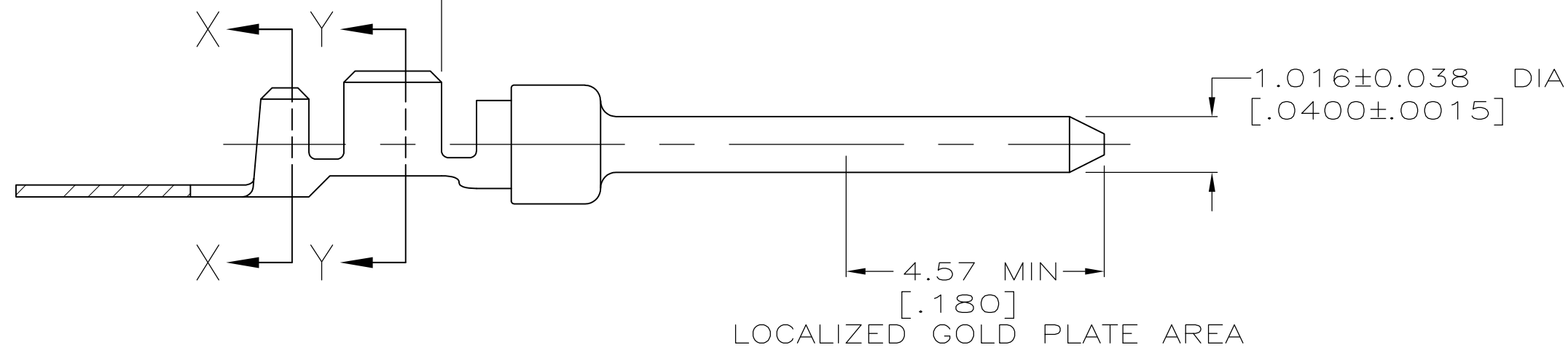
THIS DRAWING IS UNPUBLISHED. RELEASED FOR PUBLICATION
 © COPYRIGHT BY TYCO ELECTRONICS CORPORATION. ALL INTERNATIONAL RIGHTS RESERVED.

LOC	DIST	REVISIONS			
P	LTR	DESCRIPTION	DATE	DWN	APVD
GP	00				
B		REVISED PER ECO-08-007460	24JUN2008	ZMRC	WJR

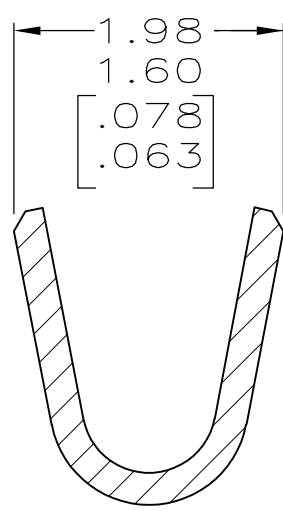


① PLATED AS FOLLOWS:
 0.76μm [.000030] MIN GOLD IN LOCALIZED GOLD PLATE AREA, 2.54μm [.000100] MIN TIN ON TIN PLATE AREA, ALL OVER 1.27μm [.000050] MIN NICKEL UNDERPLATE.
 OR
 GOLD FLASH OVER PALLADIUM-NICKEL PLATE, 0.76μm [.000030] MIN TOTAL IN LOCALIZED GOLD PLATE AREA, 2.54μm [.000100] MIN TIN ON TIN PLATE AREA, ALL OVER 1.27μm [.000050] MIN NICKEL UNDERPLATE.

TIN PLATE AREA



SECTION X-X
SCALE 20:1



SECTION Y-Y
SCALE 20:1

5786743-2

PART NO

THIS DRAWING IS A CONTROLLED DOCUMENT.		DWN G. ATTADIA 11-11-04	Tyco Electronics Corporation	
DIMENSIONS: INCHES		CHK J. GERACE 11-11-04	Harrisburg, PA 17105-3608	
TOLERANCES UNLESS OTHERWISE SPECIFIED:		APVD M. WALMSLEY 11-11-04	NAME	
0 PLC ± -	PRODUCT SPEC	PIN CONTACT, 20-24 AWG, 1.27-1.52 DIA		
1 PLC ± -	APPLICATION SPEC	[.050-.060] INSULATION SUPPORT, SIZE 20 DF		
2 PLC ± 0.13 [.005]	108-40005	SIZE A2	CAGE CODE 00779	DRAWING NO C=5786743
3 PLC ± -	114-10000	RESTRICTED TO		
4 PLC ± -	FINISH	-		
ANGLES ± -	1	SCALE 10:1	SHEET 1 of 1	REV B
MATERIAL BRASS	CUSTOMER DRAWING			