

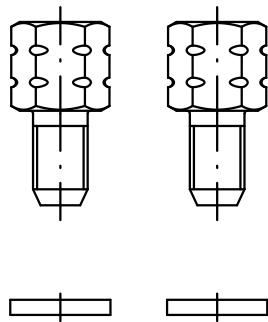
5

4

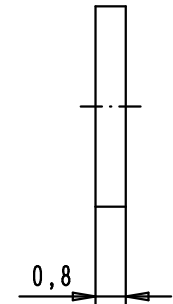
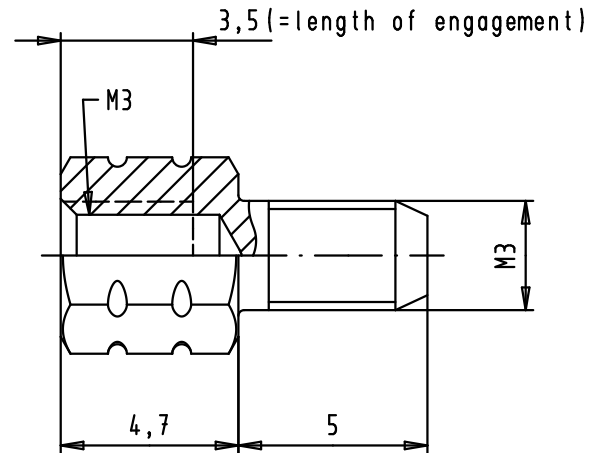
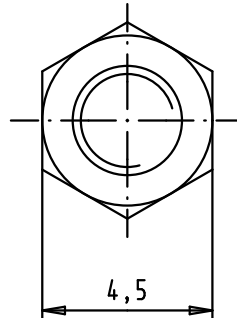
3

2

1





PAIR



Material : Tin plated brass  
 Packaging : Pair of screw locks and washers.

2 pcs. are to be ordered per connector.

			Dat.		Name	 All Dim. in mm Orig. Size DIN A 4	Female screw locks, M3/M3, washers	Maßstab/ Scale
EC02951	04/03/11	SC	Detail.	07/01/04	SH			
EC00323	13/03/09	PK	Insp.	04/03/11	JB	Blatt/ Page		
35314	24/09/08	PK	Stand.			1 / 1		
32805	19/04/05	AL	HARTING EURL F-95972 Paris			Sub.		
31587			Mod.	Dat.	Name			