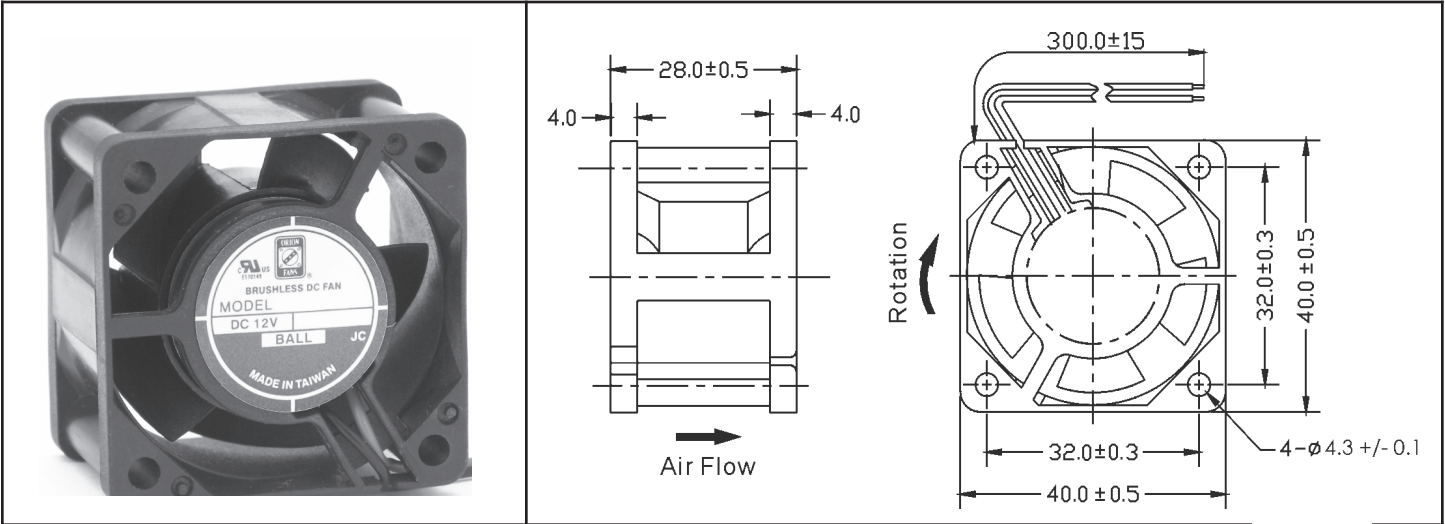


# OD4028 Series



DC Fan - 5, 12, 24V  
40x28mm (1.58"x 1.10")



Frame & Impeller	PBT, UL94V-0 plastic	<b>Available Options:</b> Tachometer Alarm PWM (Pulse Width Modulated speed control) Thermistor (Thermal Speed Control) Life Expectancy (L10) Ball - 60,000 hrs (45C) Sleeve - 30,000 hrs (45C) Operating Temperature Ball: -20C ~ 75C Sleeve: -10C ~ 50C Weight: ~ 0.08 lbs	<p>Static Pressure ("H<sub>2</sub>O)</p> <p>Airflow (CFM)</p> <p>(5V not shown)</p>
Connection	2x Lead wires 26AWG		
Motor	Brushless DC, auto restart, impedance and polarity protected		
Bearing System	Ball bearing or Sleeve		
Insulation Resistance	10M ohm between leadwire and frame (500VDC)		
Dielectric Strength	1 minute at 500 VAC, max leakage < 500 MicroAmp		
Storage Temperature	-40C ~ +80C		

Model Number	Speed (RPM)	Airflow (CFM)	Noise (dB)	Volts DC	Voltage Range (VDC)	Amps	Max. Static Pressure ("H <sub>2</sub> O)
OD4028-05H *	7500	10	32	5	3.5 ~ 6	0.35	0.24
OD4028-05M *	6500	9	29	5	4~7	0.30	0.17
OD4028-05L *	5000	7	25	5	4~7	0.22	0.10
OD4028-12H *	8800	12	37	12	7~14	0.20	0.32
OD4028-12M *	8000	11	35	12	7~14	0.18	0.25
OD4028-12L *	5000	7	25	12	7~14	0.12	0.10
OD4028-24H *	8800	12	37	24	10~27	0.16	0.32
OD4028-24M *	8000	11	35	24	10~27	0.12	0.25
OD4028-24L *	5000	7	25	24	10~27	0.09	0.10

\* Indicate "B" for ball bearing or "S" for sleeve bearing