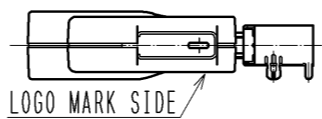
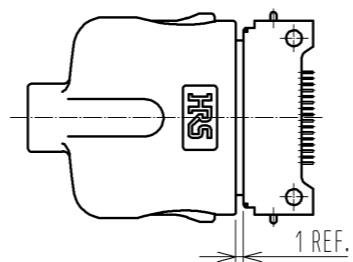
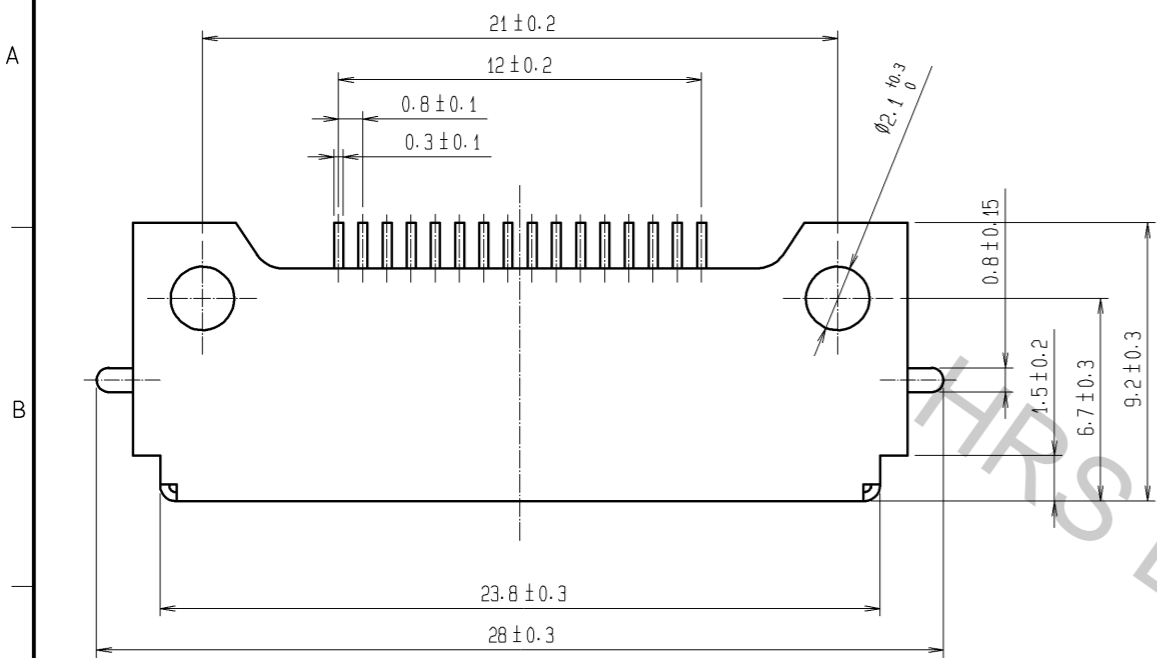
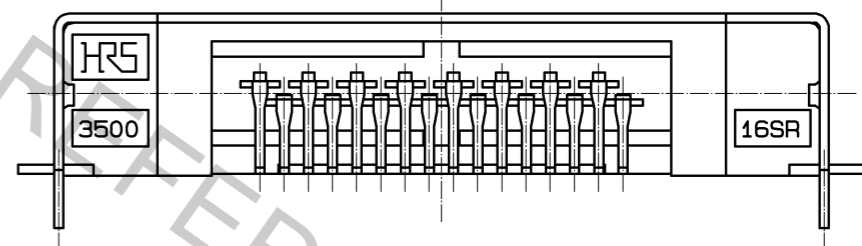
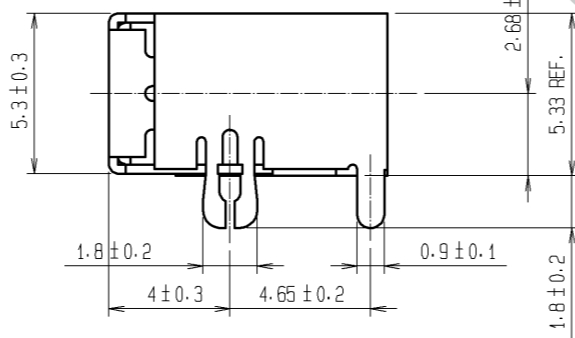
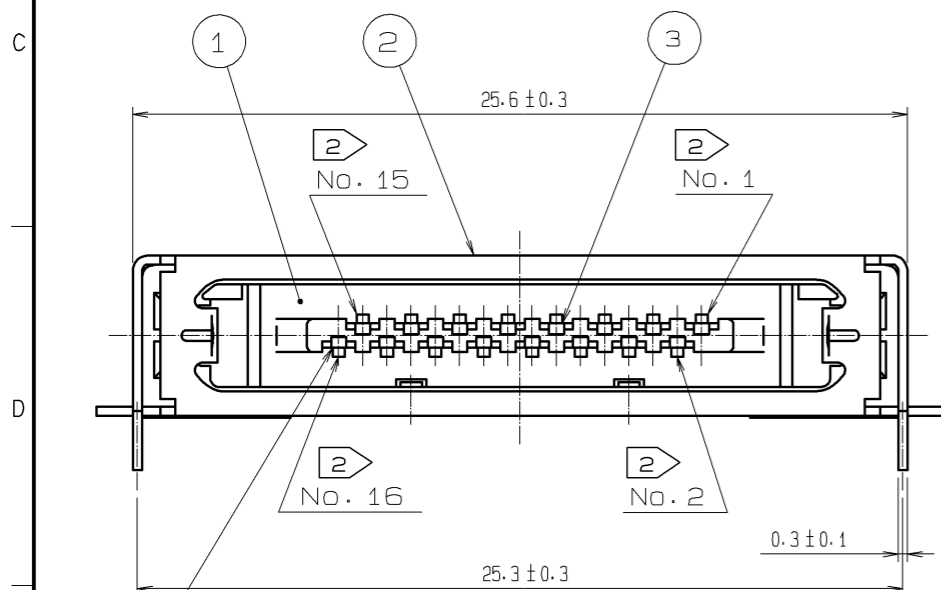
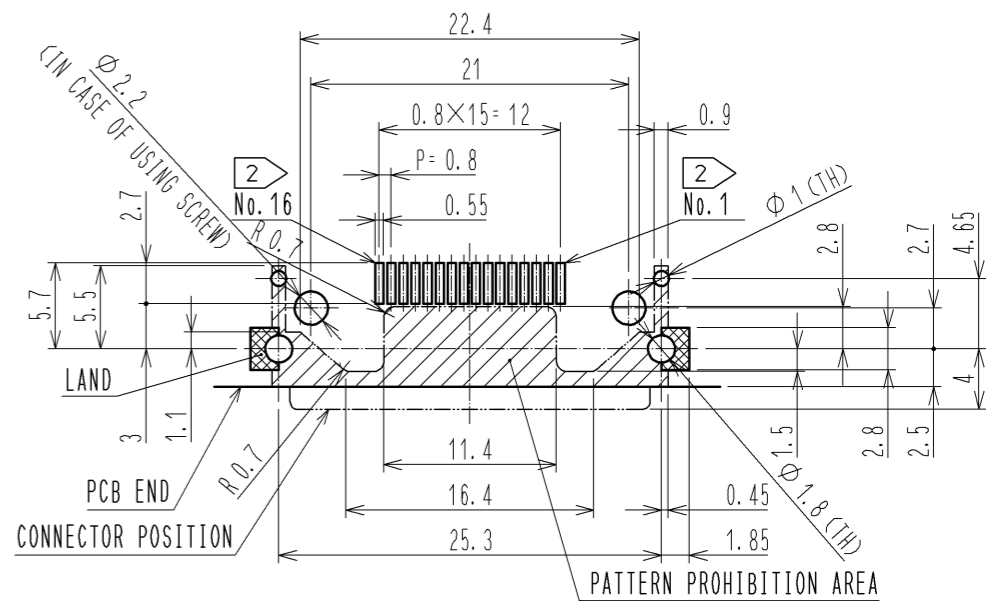
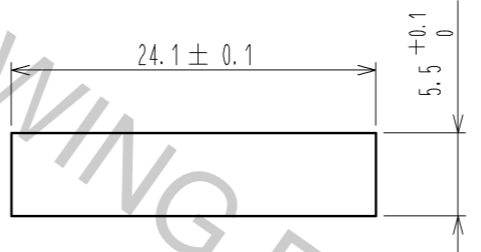


1 FIG-1 WITH MATED PLUG(1:1)

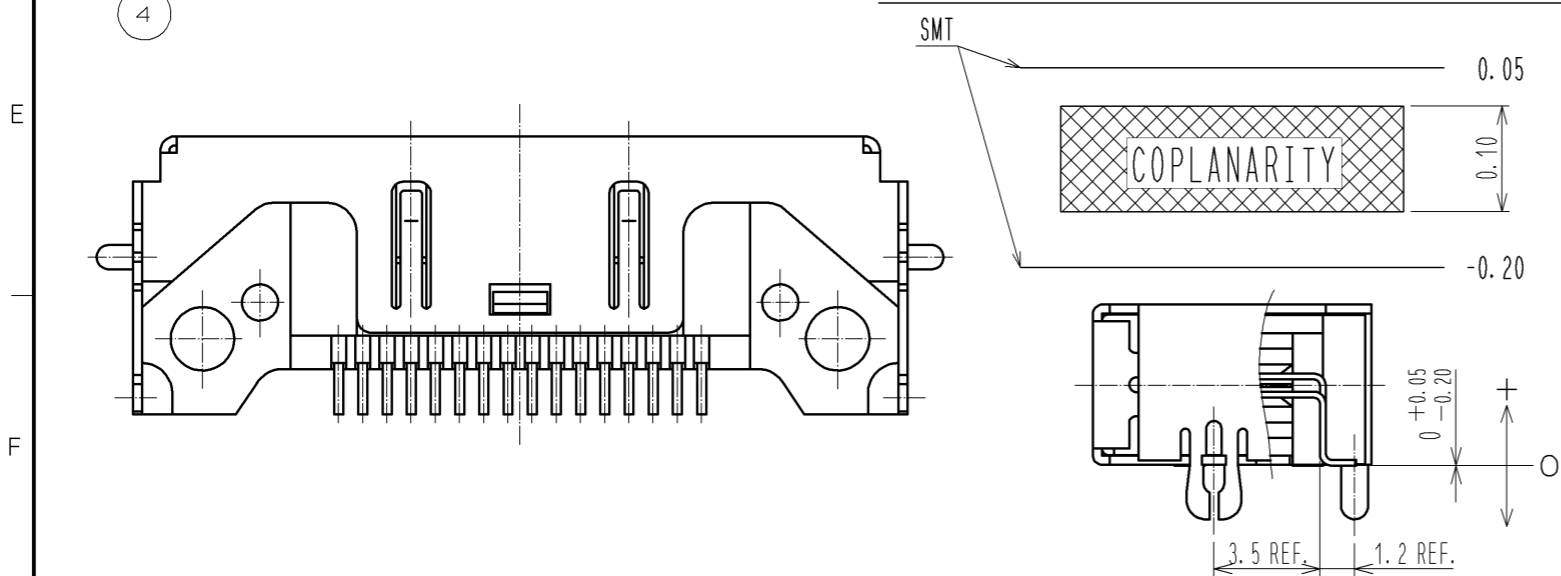
RECOMMENDED PC BOARD PATTERN  
 APPLICABLE PC BOARD t=0.8~1.6



PANEL CUTOUT(2:1)  
 (PANEL THICKNESS t=1.5 mm MAX)



3 FIG-2 SMT&COPLANARITY LEAD DIMENSIONS



- NOTES
- 1 LOCK MARK ON PLUG IN MATED CONDISION IS AS SHOWN FIG-1.
  - 2 CONTACT NO. IS AS SHOWN THE DRAWING.
  - 3 SMT LEAD DIMENSION FOR CONTACT (REF No. ③, ④) SHALL BE AS SHOWN IN THE FIG.2

3	COPPER ALLOY	CONTACT(SURFACE) : GOLD PLATING 0.2µm MIN CONTACT(INTERMEDIATE) : PALLADIUM NICKEL PLATING 0.7µm MIN LEAD : TIN COPPER PLATING 3µm MIN UNDER : NICKEL PLATING 2µm MIN	4	COPPER ALLOY	CONTACT(SURFACE) : GOLD PLATING 0.2µm MIN CONTACT(INTERMEDIATE) : PALLADIUM NICKEL PLATING 0.7µm MIN LEAD : TIN COPPER PLATING 3µm MIN UNDER : NICKEL PLATING 2µm MIN					
2	STAINLESS STEEL	OVER : TIN REFLOW PLATING 1µm MIN UNDER : NICKEL PLATING 0.2µm MIN	1	POLYAMIDE	BLACK, UL94V-0					
NO.	MATERIAL	FINISH	REMARKS	NO.	MATERIAL	FINISH	REMARKS			
UNITS mm		SCALE 4:1		COUNT 5		DESCRIPTION OF REVISIONS DIS-E-003883		DESIGNED MT. ITANO	CHECKED YH. ENAMI	DATE 11.08.12
APPROVED : HO. MIWA		05.01.05		DRAWING NO. EDC3-120418-02		PART NO. 3560-16SR(50)		CODE NO. CL235-0002-6-50		1/1
CHECKED : YH. ENAMI		05.01.05		DESIGNED : TU. TANIGUCHI		05.01.05		DRAWN : TU. TANIGUCHI		05.01.05