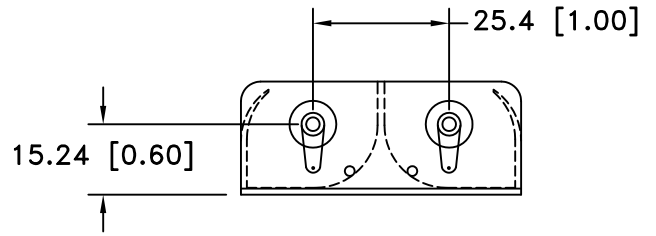
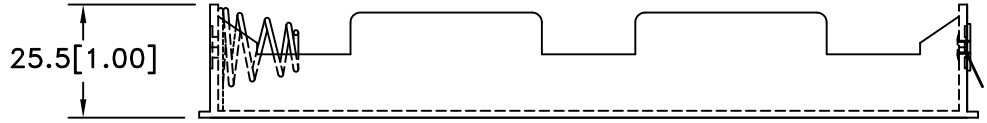
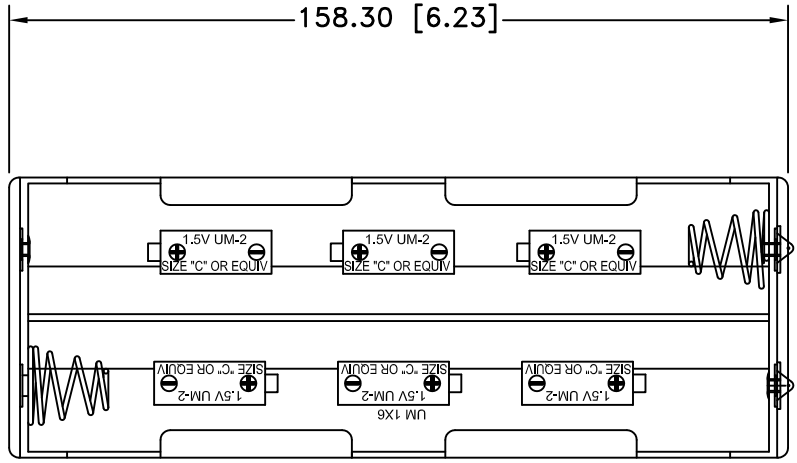


Date	SYM	REVISION RECORD	AUTH	DR.	CK.
09/07/12	A	REDRAWN IN AUTOCAD	T.B.	B.S.	
03/08/13	B	UPDATED TO ROHS 2 COMPLIANT	T.B.	B.S.	




SPECIFICATION:

1. MATERIAL:

- HOUSING : BLACK POLYPROPYLENE
- FLAMMABILITY RATING -UL94-HB, UL FILE NO. E216959
- TEMPERATURE RANGE: -10°C to +100°C
- RIVETS: BRASS, NICKLE PLTD.
- SPRING: SPRING STEEL, NICKLE PLTD.
- CONTACT RESISTANCE: UNDER 50mΩ FOR +/- CONTACTS PER EIA-540J000
- ROHS 2 COMPLIANT

MOUNTING INSTRUCTION:

USE 2-56 MACHINE SCREWS OR EYELETS 0.089" OD BY 0.15" FLANGE STIMPSON GS-3 SERIES OR EQUIVALENT. ALSO ADHESIVES AND DOUBLE SIDED TAPES WORK WELL.

Tolerance (Except as noted)	 Memory Protection Devices, Inc 200 Broad Hollow Road, Farmingdale, New York 11735	Scale	Drawn By B.S.
			Approved By T.B.
decimal ±.5 (.020)	Title 6 "C" CELL HOLDER		
Fractional ± .8 (.030)		Date 03/08/13	Drawing Number BH26CL
Angular ± 3°			