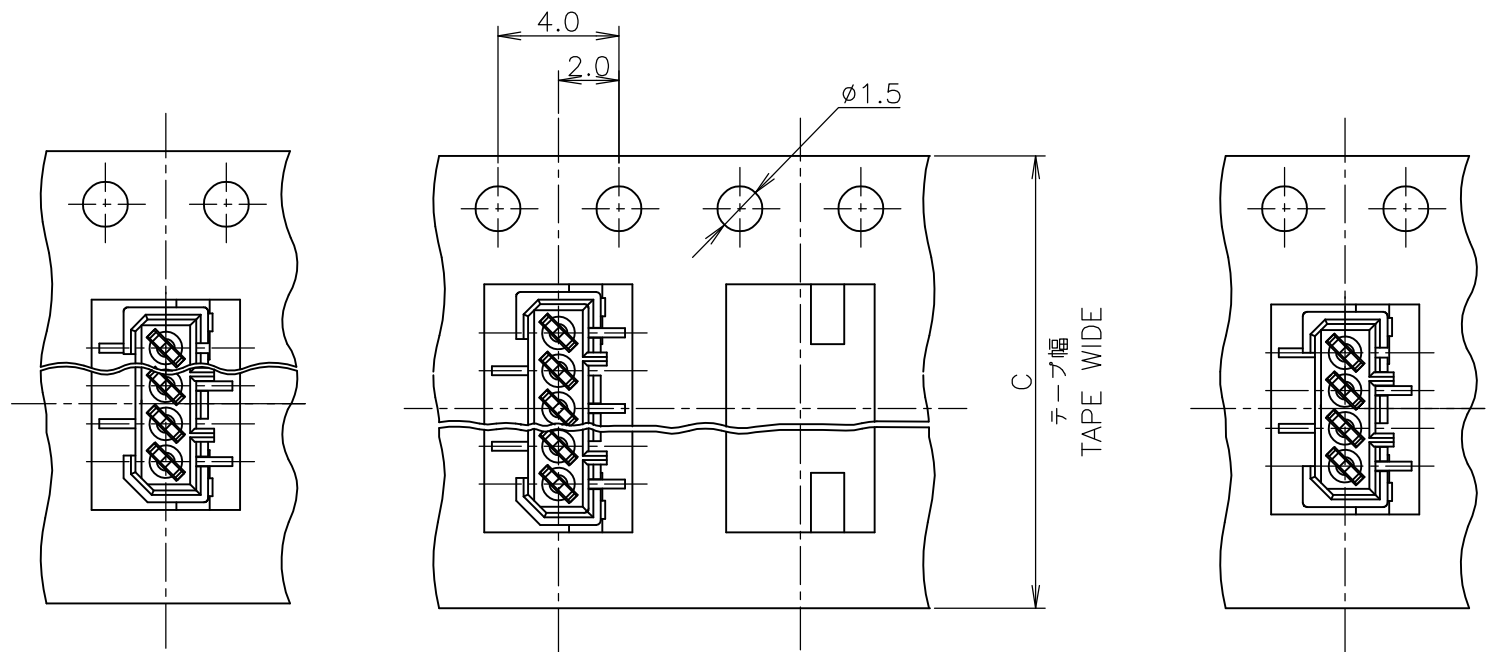
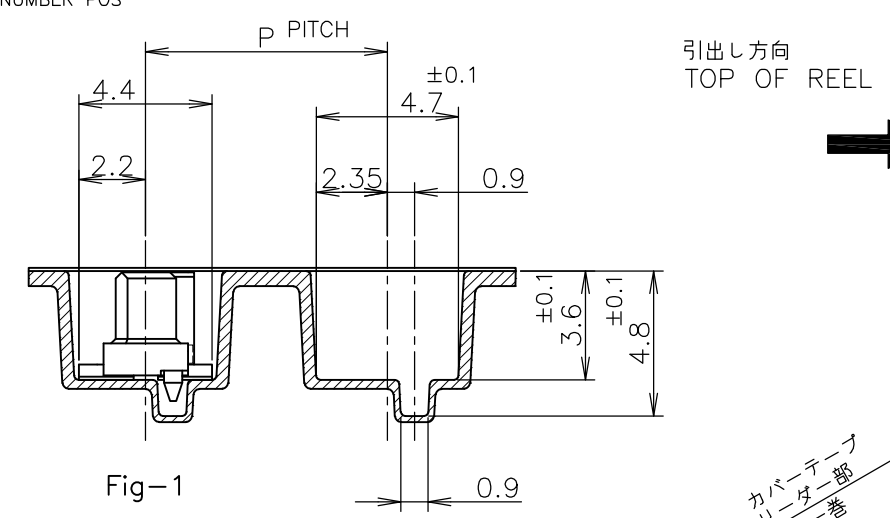


THIS DRAWING IS UNPUBLISHED. RELEASED FOR PUBLICATION MAY, 1989.
 © COPYRIGHT 1989 By Tyco Electronics Japan G.K. ALL RIGHTS RESERVED.

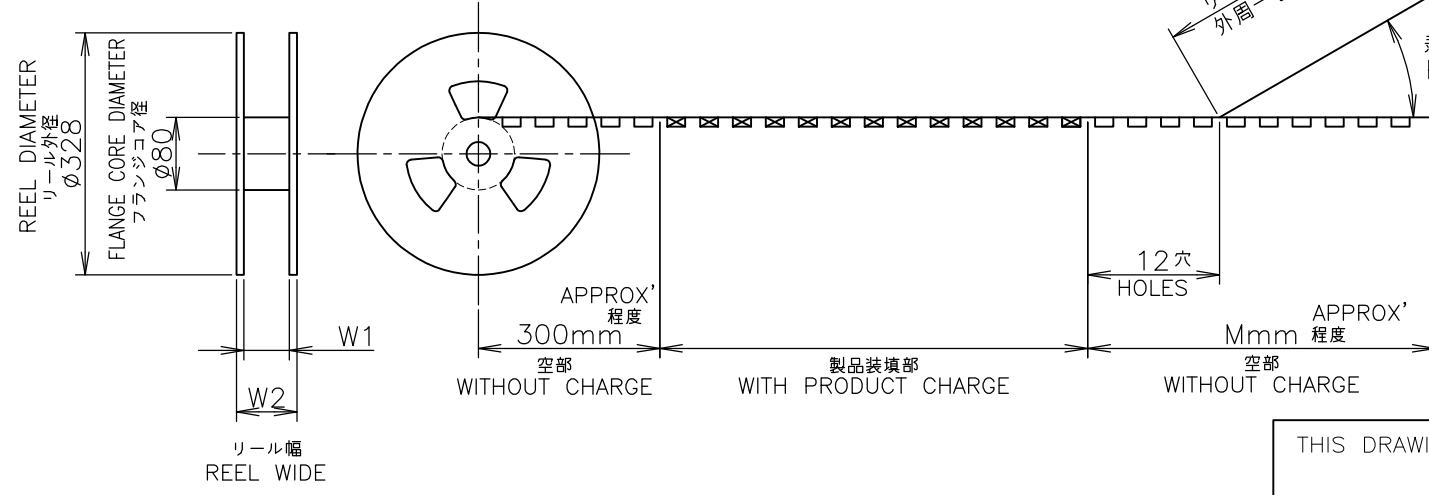
LOC	DIST	REVISIONS					
		P	LTR	DESCRIPTION	DATE	DWN	APVD
J	/	B		REVISED PER ECR-11-001310	21APR11	T.T	T.M



1 包装規格NO.: 107-5123-1
 1 PACKAGING SPEC: 107-5123-1



WEEDING THE COVER TAPE
 AROUND THE OUTER PERIPHERY
 IN A TURN.



	29	26	600	12	24	1000	10	1-912050-2	4-174637-0	4-175636-0
	29	26	600	12	24	1000	8	1-720999-8	3-174637-8	3-175636-8
OBSOLETE	21	18	300	8	16	1500	7	1-720999-7	3-174637-7	3-175636-7
	21	18	300	8	16	1500	6	1-720999-6	3-174637-6	3-175636-6
	21	18	300	8	16	1500	5	1-720999-5	3-174637-5	3-175636-5
	17	14	300	8	12	1500	4	1-720999-4	3-174637-4	3-175636-4
	W2	W1	M	P	C	数量 (ヶ) QTY/REEL	極数 POS.	エンボステープ型番 EMBOSS TAPE P/N	コネクタ型番 (パタ状) CONNECTOR P/N (L/P)	リール巻コネクタ型番 TAPING P/N

THIS DRAWING IS A CONTROLLED DOCUMENT.

DWN S.KANEKI 19MAY1989
 CHK J.TANIGAWA 19MAY1989
 APVD N.ONOUE 19MAY1989

NAME 名称 ON TAPING EMBOSS 1.25 F-P CONNECTOR B-TO-B, SINGLE ROW REC HDR ASSY V SMT TYPE WITH BOSS

PRODUCT SPEC 製品規格
 APPLICATION SPEC 取付適用規格

SIZE A3 CAGE CODE 00779 DRAWING NO. 175636 RESTRICTED TO

WEIGHT
 MATERIAL 材料
 FINISH 仕上

SCALE 尺度 4:1 SHEET 1 OF 1 REV B

GENERAL TOLERANCE 一般公差

10 ≥	±0.2
30 ≥ > 10	±0.25
100 ≥ > 30	±0.3
ANGLES	±3°

