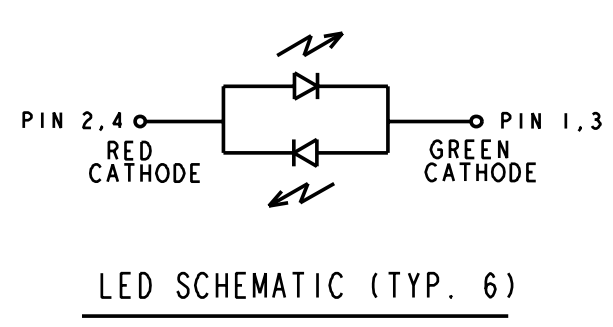
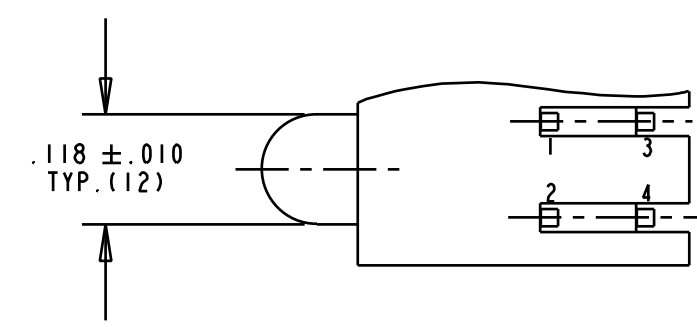
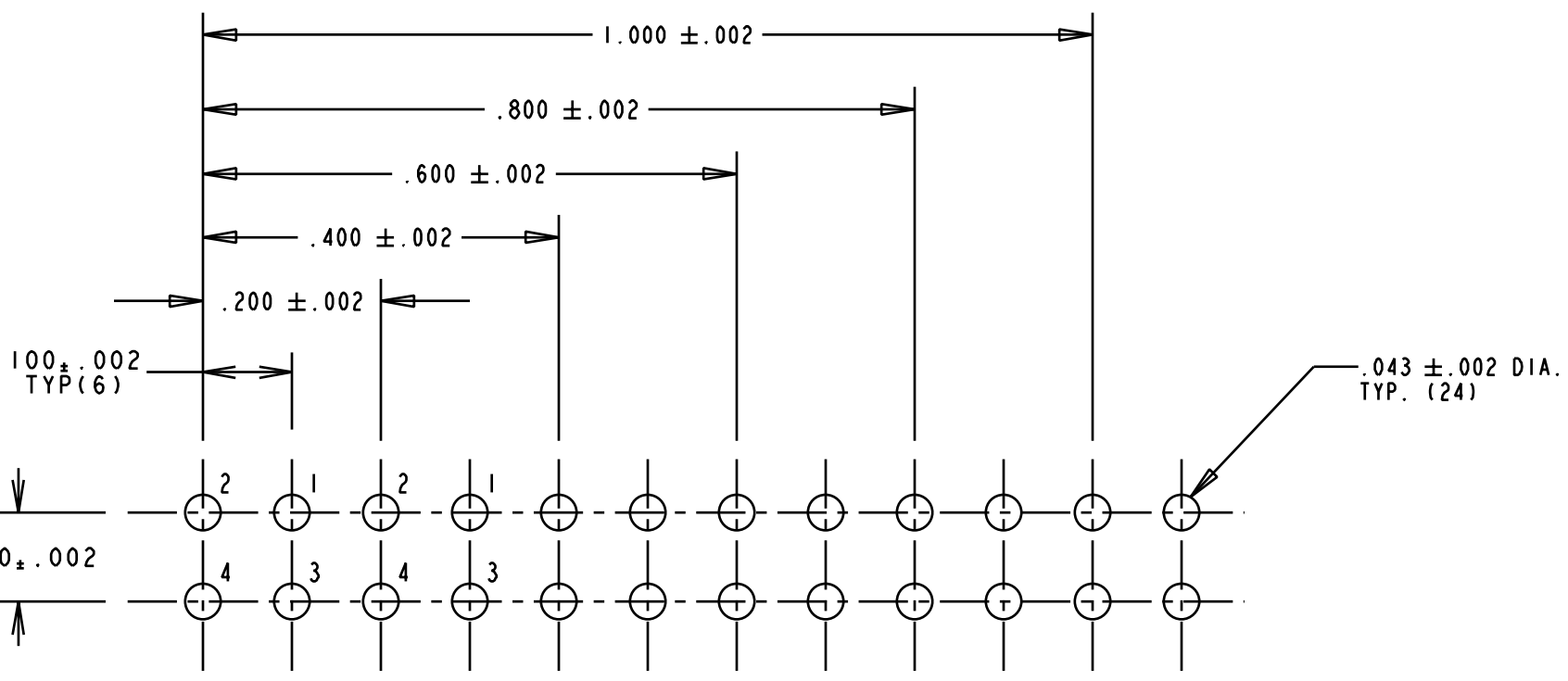
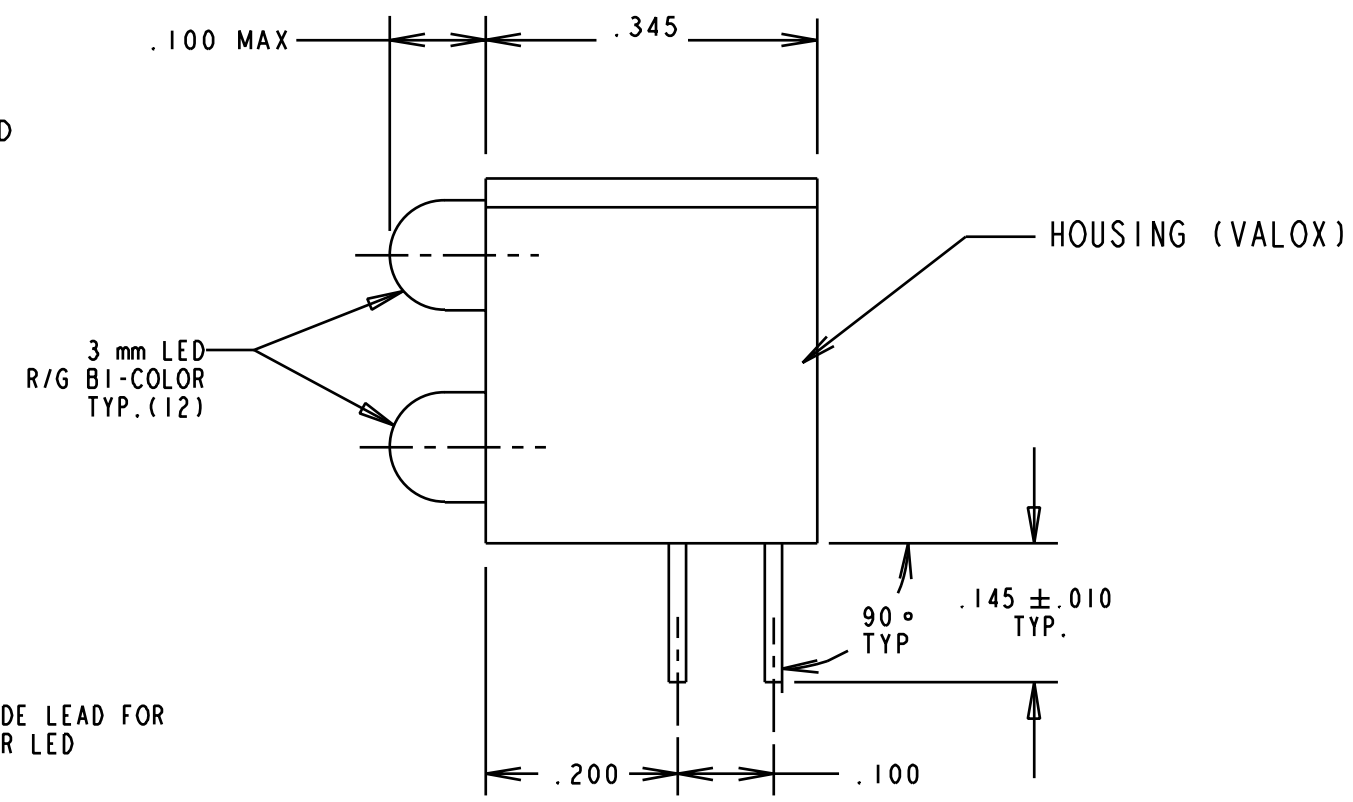
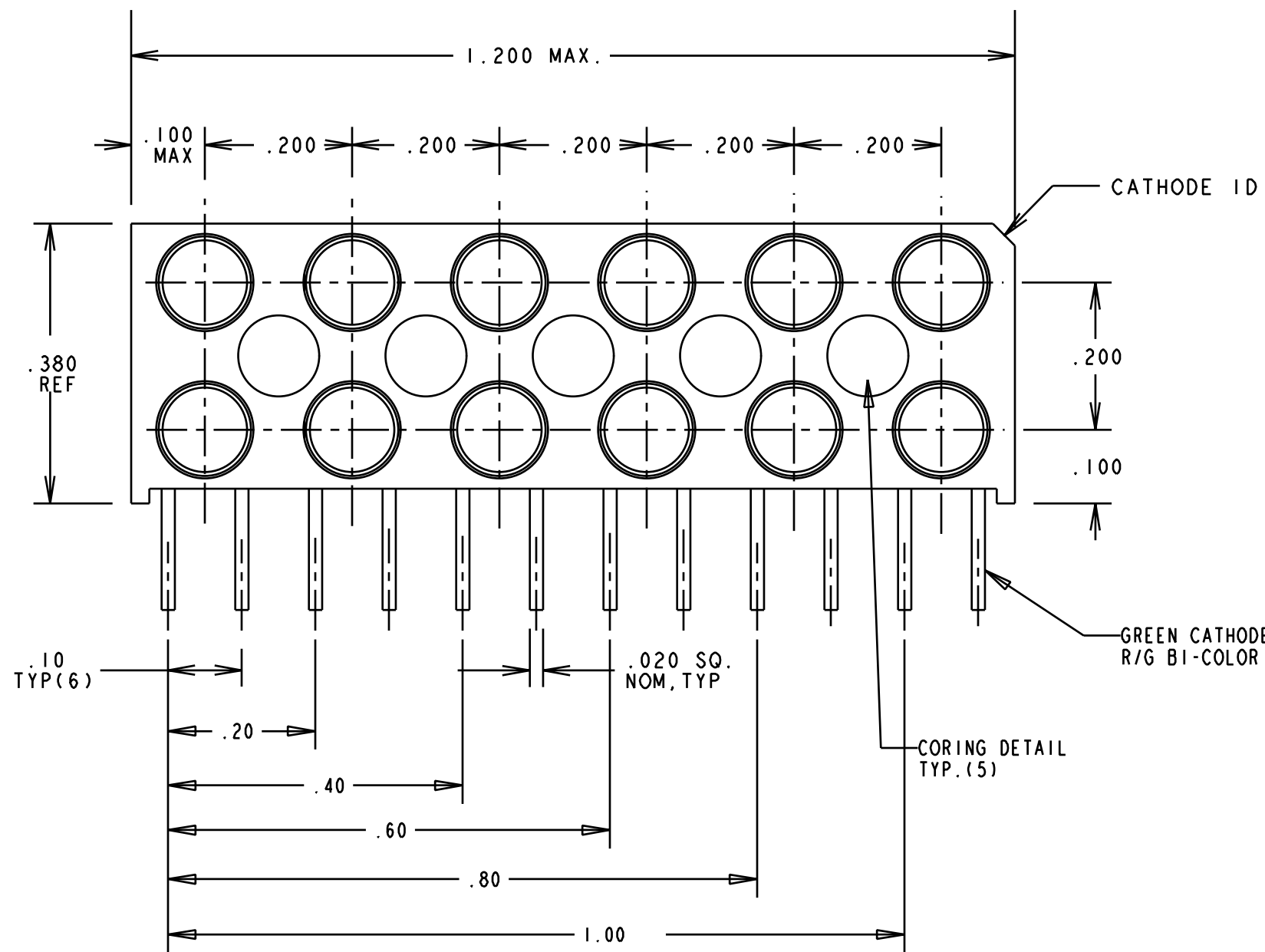


REV.	ECN NO.	REVISIONS	DRN.	CKD.	APP.	DATE
A		NEW RELEASE	DC			

LED COLOR = RED/GREEN BI-COLOR						
OPERATING CHARACTERISTICS AT 25°C AMBIENT						
CHARACTERISTICS	LED COLOR	MIN	TYP	MAX	UNITS	TEST CONDITIONS
LUMINOUS INTENSITY	RED	3.7	12.6		mcd	$I_f = 20 \text{ mA}$
	GREEN	1.1	3.7			
FORWARD VOLTAGE	RED		1.8	2.4	V	$I_f = 20 \text{ mA}$
	GREEN		2.1	2.8		
PEAK WAVELENGTH	RED		660		nm	
	GREEN		565			
VIEWING ANGLE	RED/GRN		200		Degree	
CAPACITANCE	RED		30		pf	$V_r = 0, f = 1 \text{ MHz}$
	GREEN		35			

ABSOLUTE MAXIMUM RATING AT 25°C AMBIENT			
	UNITS	RED	GREEN
CONTINUOUS FORWARD CURRENT	mA	40	30
DERATE LINEARLY FROM 25°C	mA/°C	0.5	0.4
PEAK FORWARD CURRENT (1/10 DUTY CYCLE, 0.1 ms PULSE WIDTH)	mA	200	120
LEAD SOLDERING TEMPERATURE, 5 SEC., 1/16" FROM BODY	°C	260	
OPERATING TEMPERATURE	°C	-55 TO +100	
STORAGE TEMPERATURE	°C	-55 TO +100	



- NOTES:
- LEADS TO FIT INTO HOLES SPACED AS PER HOLES PATTERN.
 - LEAD SPACING MEASURED AT HOUSING EXIT.
 - PIN NUMBERS FOR REFERENCE ONLY, DESIGNATION NON-EXISTENT ON PART.
 - DIALIGHT PART NO. 553-0012-811

THIS DRAWING AND THE CONTENTS HEREIN ARE CONFIDENTIAL AND THE SOLE PROPERTY OF DIALIGHT. REPRODUCTION OF THIS DRAWING OR CONSTRUCTION OF ANY PARTS WITHIN THIS DRAWING ARE FORBIDDEN WITHOUT THE WRITTEN CONSENT OF DIALIGHT.		
SCALE: 5:1	DRAWING NUMBER	REV
ALL DIM'S IN: INCHES (MM)	C-16923	A
TOLERANCES: UNLESS OTHERWISE SPECIFIED	TITLE	
FRACTIONS: ±1/64	MULTIPLE BI-LEVEL CBI	
DECIMALS (.XX): ±.020	MATERIAL	
DECIMALS (.XXX): ±.015		
ANGLES: ±3°		
FINISH:		
FSCM 83330	Dialight	1501 ROUTE 34 SOUTH FARMINGDALE, NJ 07727
	SHEET OF	FAMILY TABLES:

RECOMMENDED PC BOARD HOLE PATTERN