

NOTES:

1. MATERIALS AND FINISHES:

- BODY - BRASS, GOLD PLATING, .000030 [0.8] THICK OVER NICKEL
- CONTACT - GOLD, GOLD PLATING, .000030 [0.8] THICK OVER NICKEL
- INSULATOR - LCP
- CAP - PTFE

2. ELECTRICAL:

- A. IMPEDANCE: 50 OHM
- B. FREQUENCY RANGE: DC - 18 GHz
- C. VSWR(RETURN LOSS): 1.10 (26.4 dB), MAX. DC-6GHz  
1.15 (23.1 dB), MAX. 6-10GHz  
1.30 (17.7 dB), MAX. 10-18GHz
- D. DIELECTRIC WITHSTANDING VOLTAGE: 335 VRMS, MIN.

3. PHYSICAL:

- A. DURABILITY: 500 CYCLES MIN.
- B. ENGAGEMENT FORCE: 10 LB MAX
- C. DISENGAGEMENT FORCE: 2 LB MIN
- D. INNER CONTACT RETENTION FORCE: 1.5 LB MIN
- E. TEMPERATURE RANGE: -65° C TO 165° C

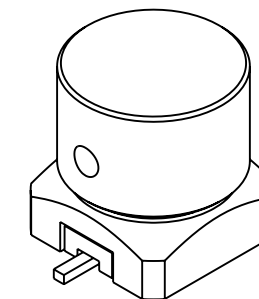
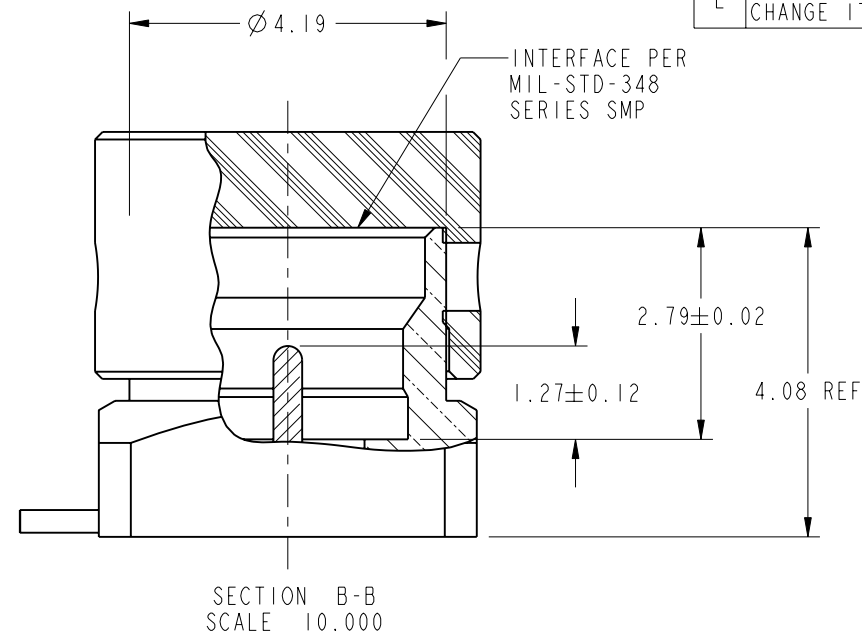
4. PACKAGING:

- A. PACKAGE CONNECTOR IN TAPE AND REEL.
- B. MARKING: "AMPHENOL RF, SMP-MSLD-PCS-T, AND DATE CODE"
- C. INCLUDE AN ADDITIONAL LABEL ON THE BOX TO IDENTIFY THE PART AS VC. THE LABEL SHALL BE MARKED: VC. THE SIZE OF LABEL SHALL BE 63X38 MM AND TO BE LOCATED EITHER ON TOP OR ON THE SIDES OF THE BOX.

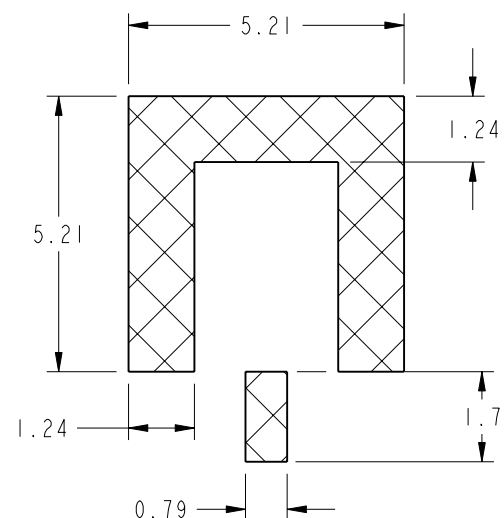
THIRD ANGLE PROJ.

REVISIONS

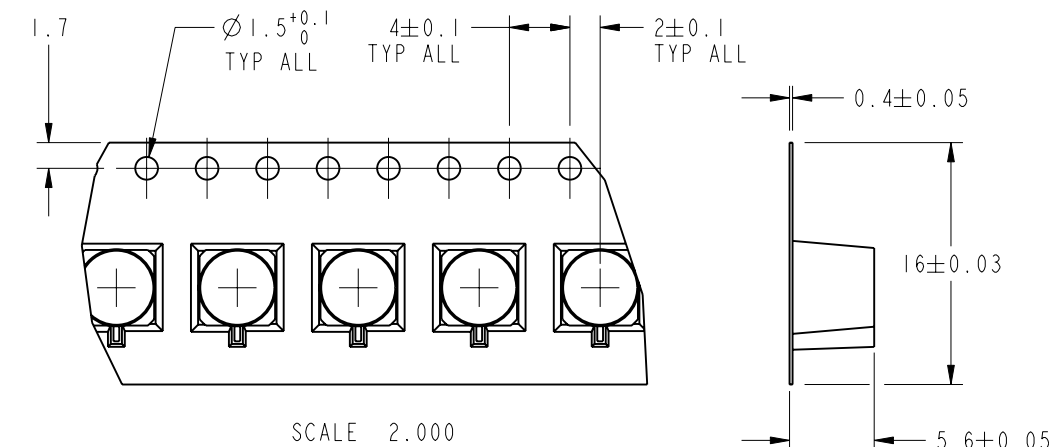
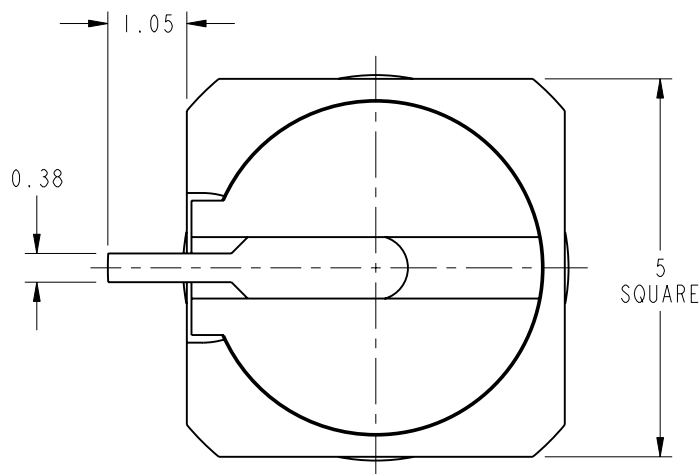
REV	DESCRIPTION	DATE	ECO	APPR
A	RELEASE TO MFG.	16-Apr-07	46508	CW
B	SEE SHEET 1	05-Sep-09	47481	Agela
C	ADD NOTE 4	15-Apr-13	49440	MJD
D	1.27±0.12 WAS 1.3±0.12, MB37AAB02 WAS 940-10020, 940-10019; BD37ACB01 WAS 940-10036 \RD-DM13091001J8	24-Sep-13	49741	MD
E	REMOVE SPECIAL HARRIS LABEL FROM THE DRAWING AND CHANGE IT TO OUR STANDARD LABELING. \RD-DM15010701R3	21-Jan-15	50188	RM



SCALE 5.000



RECOMMENDED PCB FOOTPRINT  
SCALE 7.000



**CUSTOMER OUTLINE DRAWING**  
**ALL OTHER SHEETS ARE FOR INTERNAL USE ONLY**

<p>UNLESS OTHERWISE SPECIFIED, DIMENSIONS ARE IN METRIC AND TOLERANCES ARE:                  &lt;0.5mm ±0.05mm    0.5 - 6mm ±0.1mm    6 - 30mm ±0.2mm    30 - 120mm ±0.3mm    ANGLES ±1°</p>	MATERIAL	DRAWN	DATE	<p>TITLE SMP MALE SMT LIMITED DETENT IN TAPE AND REEL</p>		<p>Amphenol RF www.amphenolrf.com</p>	
	SEE NOTES	R. MAO	21-Jan-15				
<p>NOTICE - These drawings, specifications, or other data (1) are, and remain the property of Amphenol corp. (2) must be returned upon request; and (3) are confidential and not to be disclosed to any person other than those to whom they are given by Amphenol Corp. the furnishing of these drawings, specifications, or other data by Amphenol Corp., or to any other person to anyone for any purpose is not to be regarded by implication or otherwise in any manner licensing, granting rights to permitting such holder or any other person to manufacture, use or sell any product, process or design, patented or otherwise, that may in any way be related to or disclosed by said drawings, specifications, or other data.</p>	REFERENCE	ENGINEER	DATE	<p>SCALE: 7.0:1.0    SHEET 2 OF 2</p>		<p>DRAWING NO. SMP-MSLD-PCS-T</p>	
	EAR # 2279    AND    615X-1782	G. WANG	16-Apr-07				
	CONFIGURATION LEVEL: <input type="checkbox"/> <input type="checkbox"/> <input type="checkbox"/>	APPROVED	DATE	<p>DWG SIZE    REV</p>		<p>ITEM NO.    SMP-MSLD-PCS-T</p>	
	FINISH	S. HSIEH	21-Jan-15				