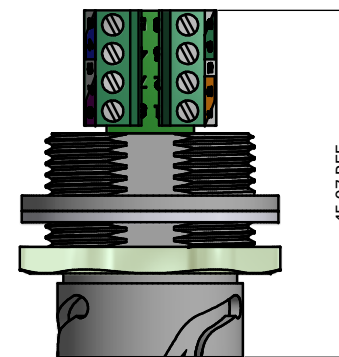
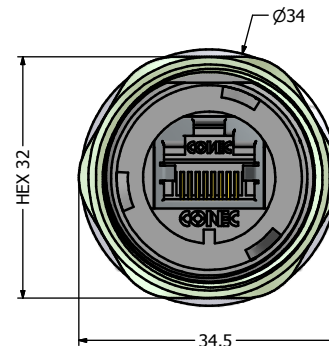
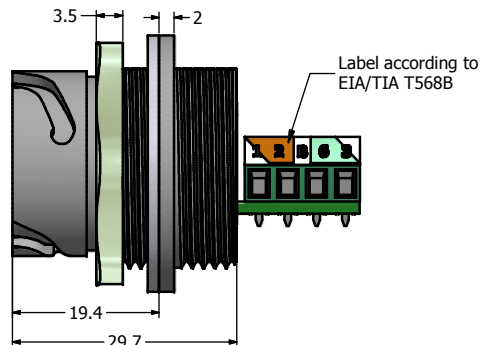
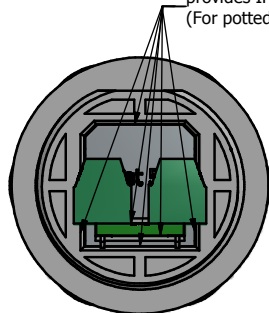


Recommended Panel Cutout



Sealed with Sealing Compound, provides IP67 even when uncovered (For potted version only)



Notes:

- Electrical Specifications:
 - Meets EIA/TIA-568-B.2 Cat.5e Specification
 - Contact Resistance: 20mOhm max.
 - Insulation Resistance: 500MOhm min. @ 100 VDC
 - Current Rating: 1.2A max. at 25-C
 - Working Voltage: 100 VDC
 - DWV: 1000 VDC/60s Contact to Contact, 1500 VDC/60s Contact to Metal Shell
 - Operating Temperature: -40-C to +85-C
- Material and Finish:
 - Receptacle Housing: ABS, Nickel Plated; UL94 V-0
 - Panel Nut: Brass, Finish: Nickel Plated
 - Panel Gasket: Silicon, Color: White
 - Cat.5e RJ45 Jack Metal Shell: Copper Alloy, Nickel Plated
 - Cat.5e RJ45 Jack Plastic Housing: Glass filled PBT UL94 V-0, Color: Black
 - Cat.5e RJ45 Jack Contacts: Phosphor Bronze, Finish: 50u" Gold min. over Nickel
 - PCB: FR-4
 - Terminal Block Insulator: Polyamide, UL94 V-0 Rated
 - Terminal: Brass, Tin Plated
 - Gage Clamp: Beass, Tin Plated
 - M2 Screw: Steel, Zinc Plated
- Connector can be front or rear mounted to a maximum panel thickness of 3.2mm.
- Potted Version must be used, if IP67 required when not capped or mated
- Recommended Mounting Panel Nut Torque is 20 to 25 lb-inch

Description	Part Number
Metalized Plastic Version	17-110174
Potted Metalized Plastic Version	17-110184

THE DRAWING MAY NOT BE COPIED OR REPRODUCED IN ANY WAY AND MAY NOT BE PASSED ON TO A THIRD PARTY WITHOUT WRITTEN PERMISSION. OWNERSHIP AND COPYRIGHT OF CONEC CORPORATION.	Customer:		Tolerance Unless otherwise specified 0 PLC ±0.50 1 PLC ±0.38 2 PLC ±0.25 3 PLC ±0.10 ANGLES ±7		Scale: 1.5:1	Dim. in mm		
	Name	Title			Approval Date	Material: See Notes		
	2012	Date			Name	Title: Receptacle Assembly Kit		
	Draw.	Oct. 09			Vincent Ke	Metallized Plastic Receptacle Housing		
Appd.	Oct. 09	J. Chaudry	Norm	with Cat. 5e RJ45 Jack and Terminal Block				
Rev.	Changes	Date	Name	Drawing No.: 17K1A346				
					Part No.: SEE PART NUMBER TABLE			
					DIN A3	Sheet 1/1		

Directive 2002/95/EC RoHS Compliant