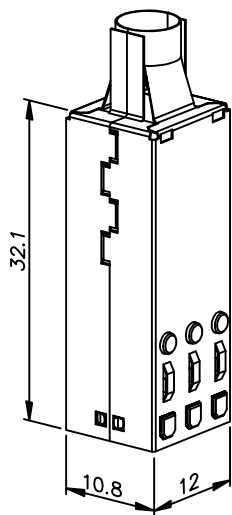


PRODUCT NUMBER:
85706-XYZ1LF

HEAT SHRINK VERSION

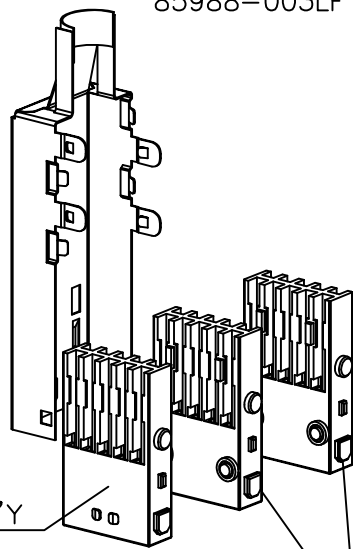
CRIMPED VERSION

PRODUCT NO.
85706-XOZ1LF



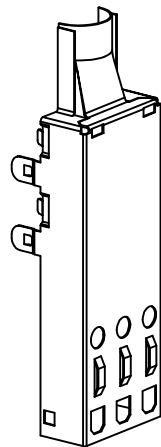
TERMINAL BLOCK ASS'Y
72377-X1Z1LF

METAL SHIELD
85988-003LF

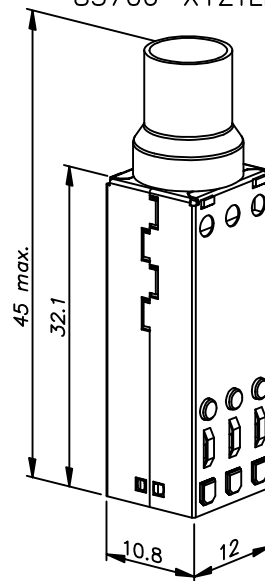


TERMINAL BLOCK ASS'Y
72377-X2Z1LF

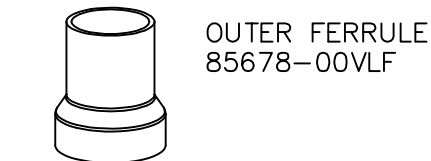
METAL SHIELD
85988-001LF



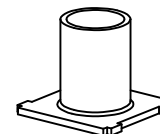
PRODUCT NO.
85706-XYZ1LF



TERMINAL BLOCK ASS'Y
72377-X1Z1LF

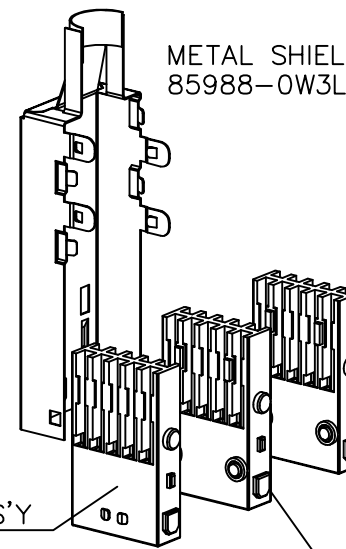


OUTER FERRULE
85678-00VLF



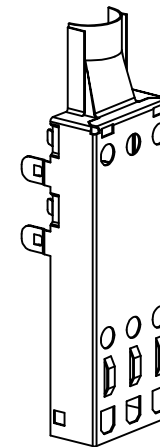
INNER FERRULE
85677-00VLF

METAL SHIELD
85988-0W3LF



TERMINAL BLOCK ASS'Y
72377-X2Z1LF

METAL SHIELD
85988-0W2LF



mat'l. code		tolerances unless otherwise specified			CUSTOMER COPY		FCJ		
ltr	ecn no	dr	date			projection	title		
A	H80084	VWO	971029	linear			5x6 Shielded		
B	H80824	VWO	981119	angles			CABLE CONNECTOR KIT		
C	DG05-0071	CLu	050402			mm	product family		code
D	DG05-0438	CLu	051102	dr	H v Woensel	971016	Metral(tm)		213
E	DG06-0198	CLu	060526	eng	H v Woensel	971016	size		dwg no
				chr	H Cooijmans	980205	scale	A3	
				app	H v Woensel	980205	1:1	85706	
sheet index	revision sheet	E	E					sheet 1 of 2	
		1	2						

Tous droits strictement reserves. Reproduction ou communication a des tiers interdite sous quelque forme que ce soit sans autorisation écrite du propriétaire. Propriété de F C I b.v. © F C I b.v.
 Reproduction or issue to third parties in any form without written authority from the proprietor. Property of F C I b.v. © F C I b.v.
 All rights strictly reserved. Reproduction or issue to third parties in any form without written authority from the proprietor. Property of F C I b.v. © F C I b.v.

PRODUCT NUMBER:
85706-XYZ1LF

NOTES:

- SEE APPLICATION SPECIFICATION GES-20-003 FOR INSTRUCTIONS ON WIRE INSERTION AND ASSEMBLY OF COMPONENTS FOR CONNECTORS
- PLUGS INTO SHIELDED HEADERS 72031, 72032, SHROUDS 72033 AND 72034.
- MAXIMUM SHEATH DIAMETER: 8 mm.
MAXIMUM DIAMETER OVER BRAID: 6 mm
- THIS PRODUCT MEETS EUROPEAN UNION DIRECTIVES AND OTHER COUNTRY REGULATIONS AS DESCRIBED IN GS-22-008 .
- THE PRODUCT IS NOT INTENDED TO BE EXPOSED TO A MANUFACTURING SOLDER PROCESS.

MATERIAL:

TERMINAL BLOCKS: GLASS FILLED 612
POLYAMIDE (UL 94 V-0)
CONTACTS:
PHOSPHOR BRONZE
SOLDER FINISH ON IDC DIMPLES

	PART:	INNER FERRULE:	OUTER FERRULE:
Y=1	85988-002LF 85988-003LF 85677-001LF 85678-001LF	ø5.5 mm	ø7.45 mm
Y=3	85988-002LF 85988-003LF 85677-001LF 85991-002LF	ø5.5 mm	ø7.45 mm
Y=2	85988-012LF 85988-013LF 85677-002LF 85678-002LF	ø8 mm	ø10.0 mm
Y=4	85988-012LF 85988-013LF 85677-002LF	ø8 mm	ø10.0 mm

ORDERING INFORMATION FOR KITS:

ORDER KITS 85706-XYZ1LF WHERE
PLATING IN CONTACT AREA:


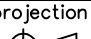

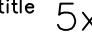
- X=1 FOR 0.8 æm GOLD
- X=2 FOR 2.0 æm GOLD
- X=3 FOR 1.3 æm GOLD
- X=9 FOR 0.8 æm GXT™

LATCH TYPE:

- Y=0 HEAT SHRINK VERSION FOR USE WITH LATCH 85991-001LF OR 85992-001LF
- Y=3 OVERMOLDED VERSION FOR USE FOR LATCH 85991-002LF
- Y>0 CRIMPED VERSION FOR USE WITH LATCH 85991-002LF OR 85992-002LF, SEE TABLE.

COPPER WIRE SIZE:

- Z=1 FOR 0.40 - 0.51 mm DIA (26 TO 24 AWG)
- Z=2 FOR 0.25 - 0.32 mm DIA (30 TO 28 AWG)

mat'l. code		tolerances unless otherwise specified		CUSTOMER COPY	 www.fciconnect.com
ltr	ecn no	dr	date	linear	
E				angles	
		dr	H v Woensel	971016	mm
		eng	H v Woensel	971016	
		chr	H Cooijmans	980205	scale
		app	H v Woensel	980505	1:1
sheet index	revision sheet				 title 5x6 Shielded CABLE CONNECTOR KIT product family Metral(tm) size dwg no A3 85706 code 213 sheet 2 of 2

Tous droits strictement reserves. Reproduction ou communication o des tiers interdite sous quelque forme que ce soit sans autorisation écrite du propriétaire. Property of FCI b.v. © FCI b.v.

All rights strictly reserved. Reproduction or issue to third parties in any form whatever is not permitted without written authority from the proprietor. Property of FCI b.v. © FCI b.v.