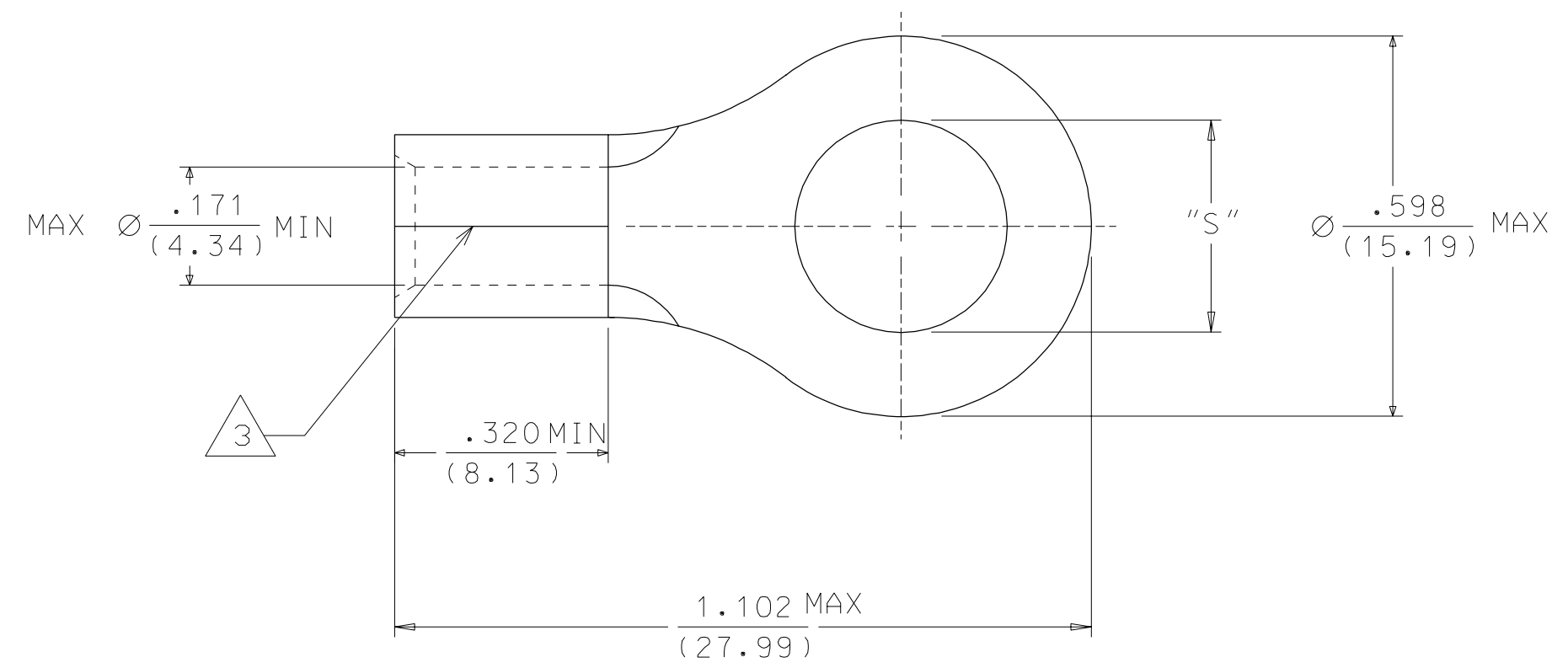
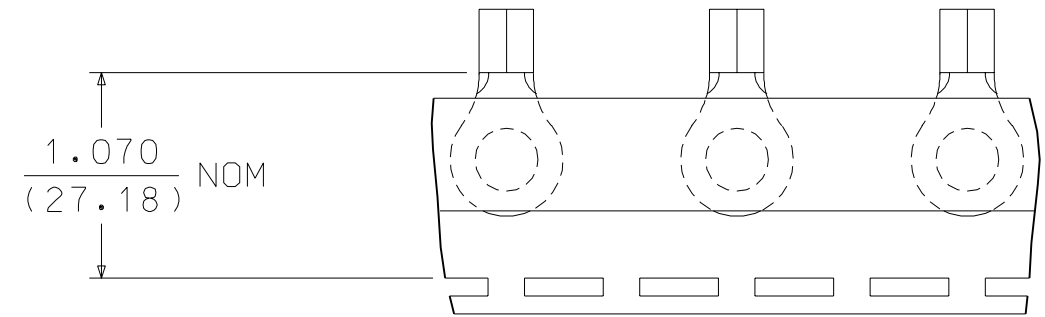


MATERIAL NUMBER	ENGINEERING NUMBER	STUD SIZE	PACKAGING
191930159	D-351-10	10	LOOSE PIECE
191930163	D-351-14	1/4	
191930171	D-351-56	5/16	
191930167	D-351-38	3/8	
191930175	D-351-76	7/16	
191930162	D-351-10T	10	TAPE MOUNTED
191930166	D-351-14T	1/4	
191930174	D-351-56T	5/16	
191930170	D-351-38T	3/8	
191930177	D-351-76T	7/16	



SALES DRAWING

- NOTES:
 1. MATERIAL: COPPER
 PLATING: ELECTROPLATE TIN
 2. ALL DIMENSIONS IN INCHES/(MM).
 3. BRAZED SEAM.

NEW RELEASE EC NO. ETC2001-0270 DRWN: BRE 01/06/11 CHK: HEB 01/06/11 APPR: RWD 01/06/11	QUALITY SYMBOLS MAJOR $\blacktriangle = 0$ CRITICAL $\triangle C = 0$	GENERAL TOLERANCES: (UNLESS SPECIFIED)	SCALE 4 : 1 DESIGN UNITS <input type="checkbox"/> mm <input checked="" type="checkbox"/> INCH	THIRD ANGLE PROJECTION	DIMENSIONS: <input type="checkbox"/> mm <input checked="" type="checkbox"/> INCH <input type="checkbox"/> mm ONLY	SHT REV
	DESCRIPTION	4 PLACES $\pm 0.$ $\pm .$ 3 PLACES $\pm 0.$ $\pm .$ 2 PLACES $\pm 0.$ $\pm .$ 1 PLACE $\pm 0.$ $\pm .$	DRAWN BY & DATE BRE 01/06/07	TITLE: RING TONGUE TERMINAL VERSAKRIMP 8 AWG		
	REV	ANGULAR: \pm \circ	CHECKED BY & DATE HEB 01/06/07	MOLEX INCORPORATED		
	A	DRAFT WHERE APPLICABLE MUST REMAIN WITHIN DIMENSIONS	APPROVED BY & DATE RWD 01/06/07	CAD FILENAME SD-19163-017.DWG	MATERIAL NO. SEE CHART	DRAWING NO. SD-19193-017

THIS DRAWING CONTAINS INFORMATION THAT IS PROPRIETARY TO MOLEX INCORPORATED AND SHOULD NOT BE USED WITHOUT WRITTEN PERMISSION.