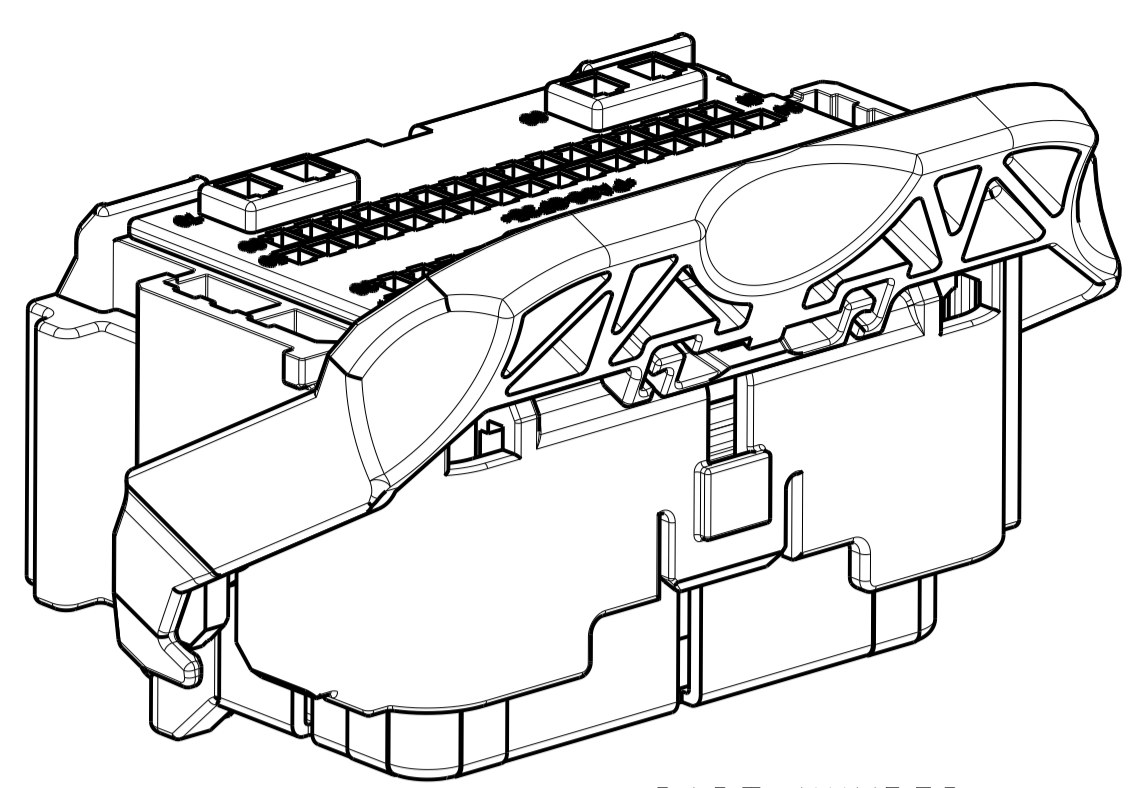
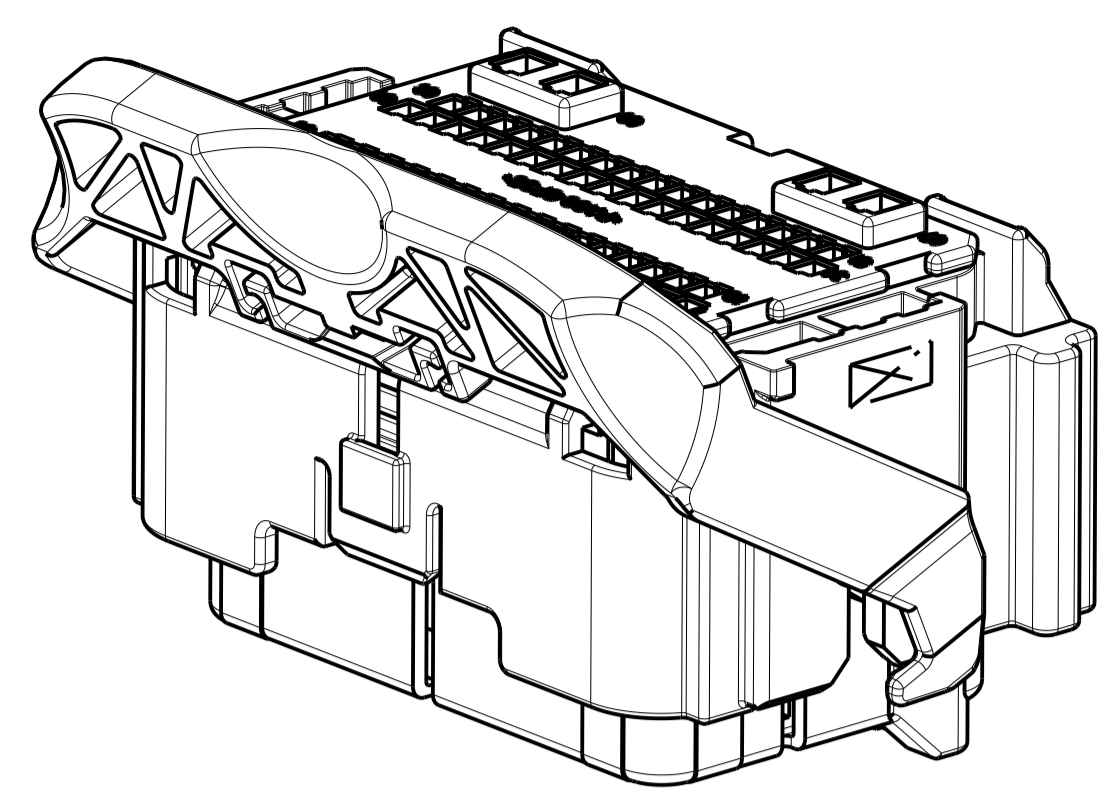
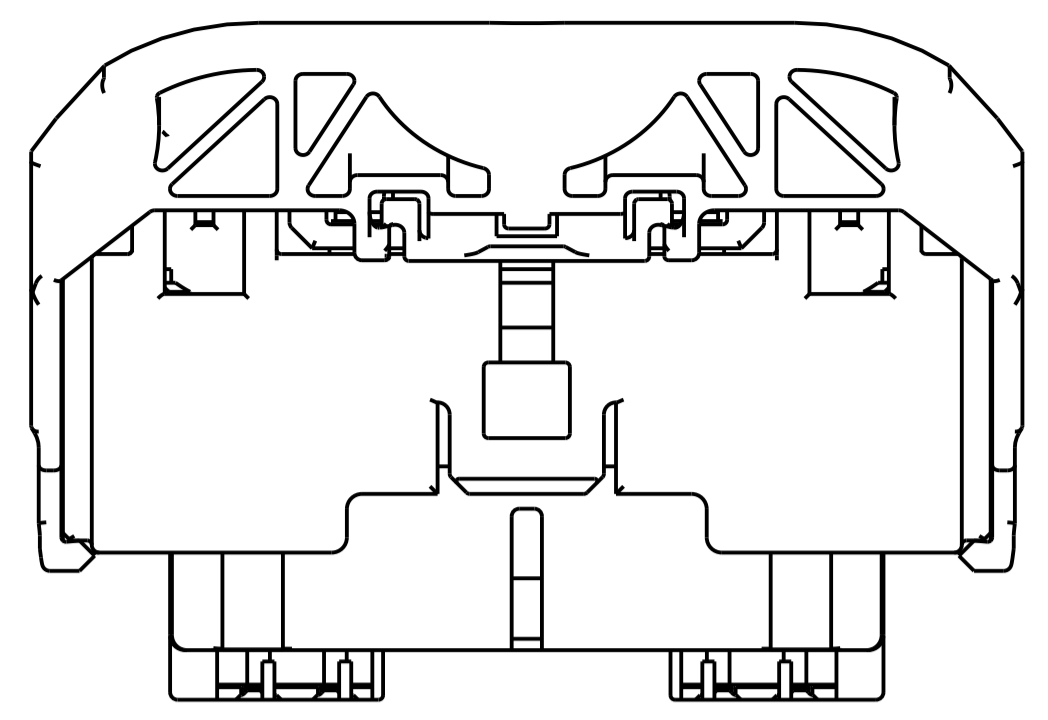


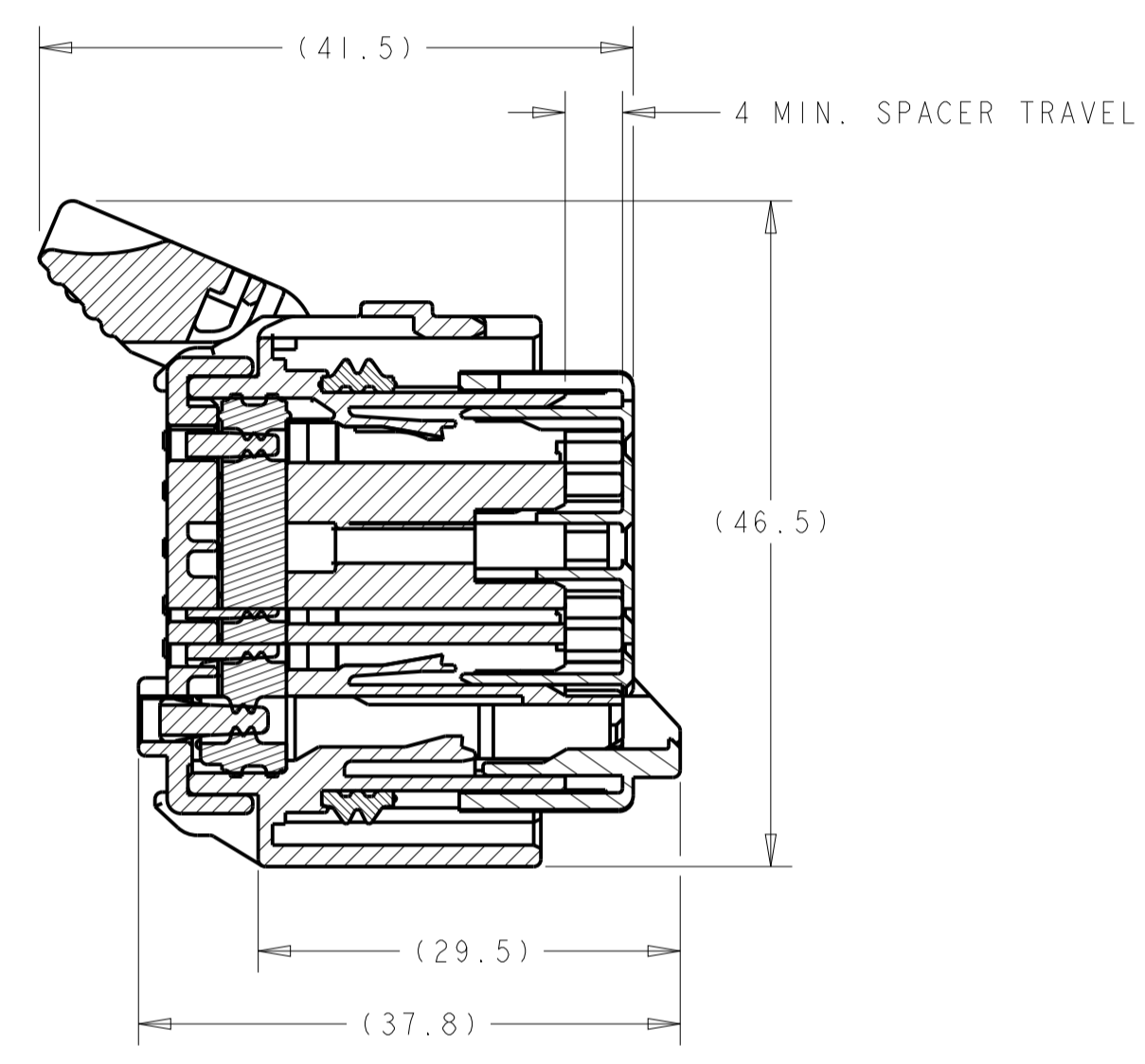
REVISIONS				
P.	LTN.	DESCRIPTION	DATE	APVD.
G45		REVISED PER ECO-13-011449	16JUL2013	DLD DCM
G46		REVISED PER ECO-14-007153	19MAY2014	DLD DCM
G47		REVISED PER ECO-14-014965	09OCT2013	DLD DCM



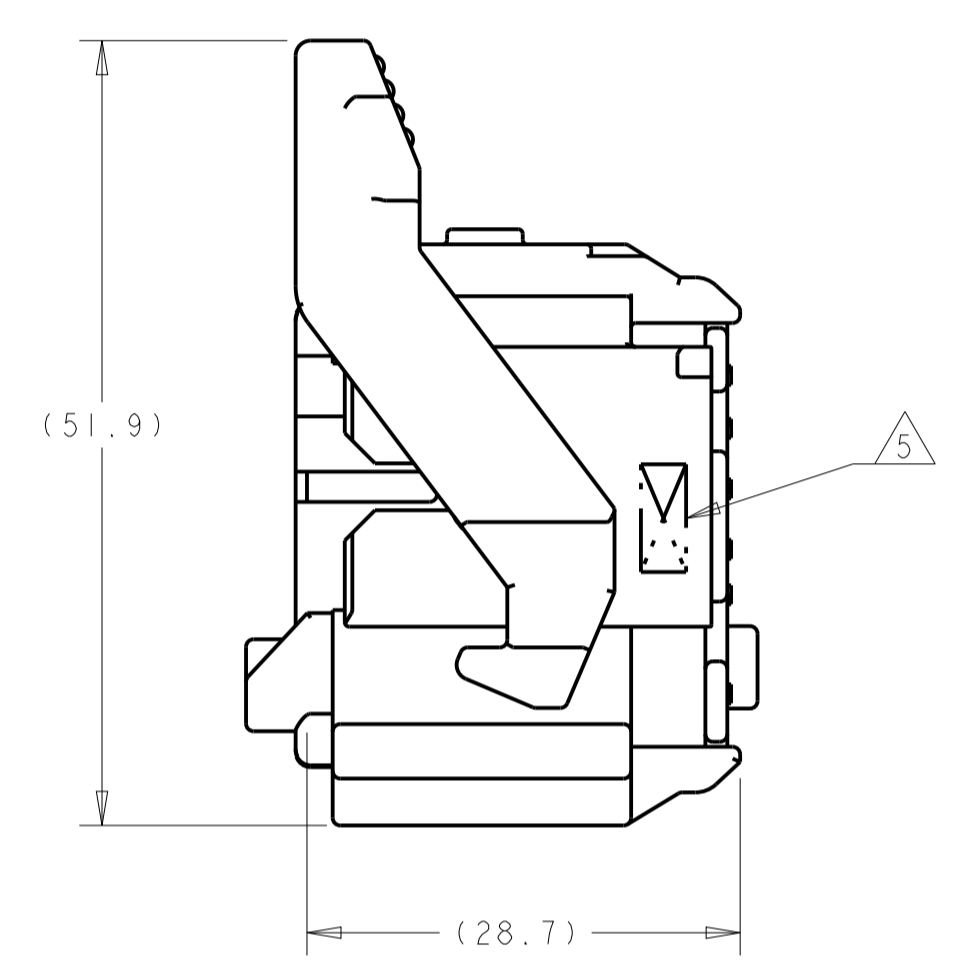
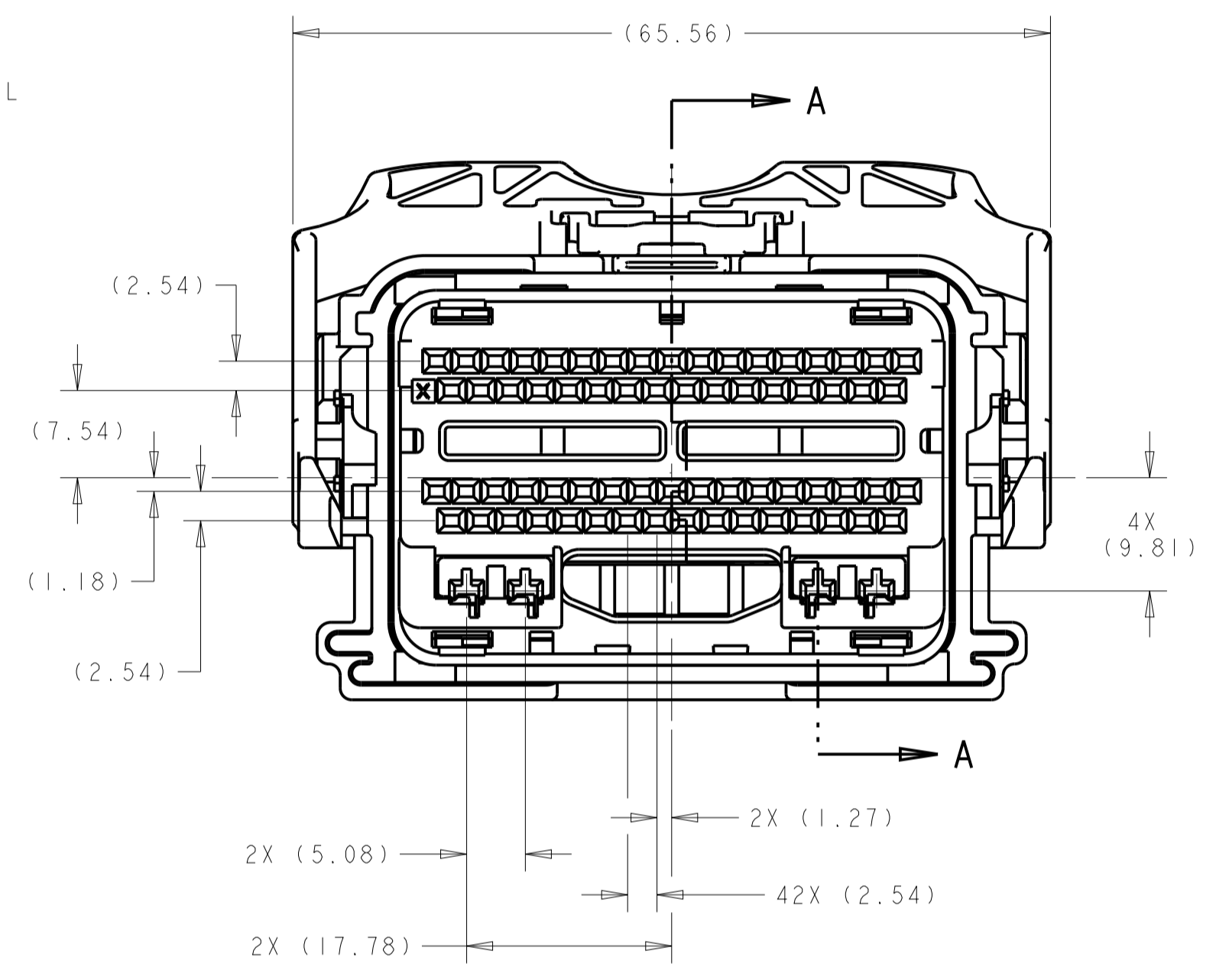
PART NUMBER:
1438136-1
SHOWN WITH SPACER
IN SEATED POSITION



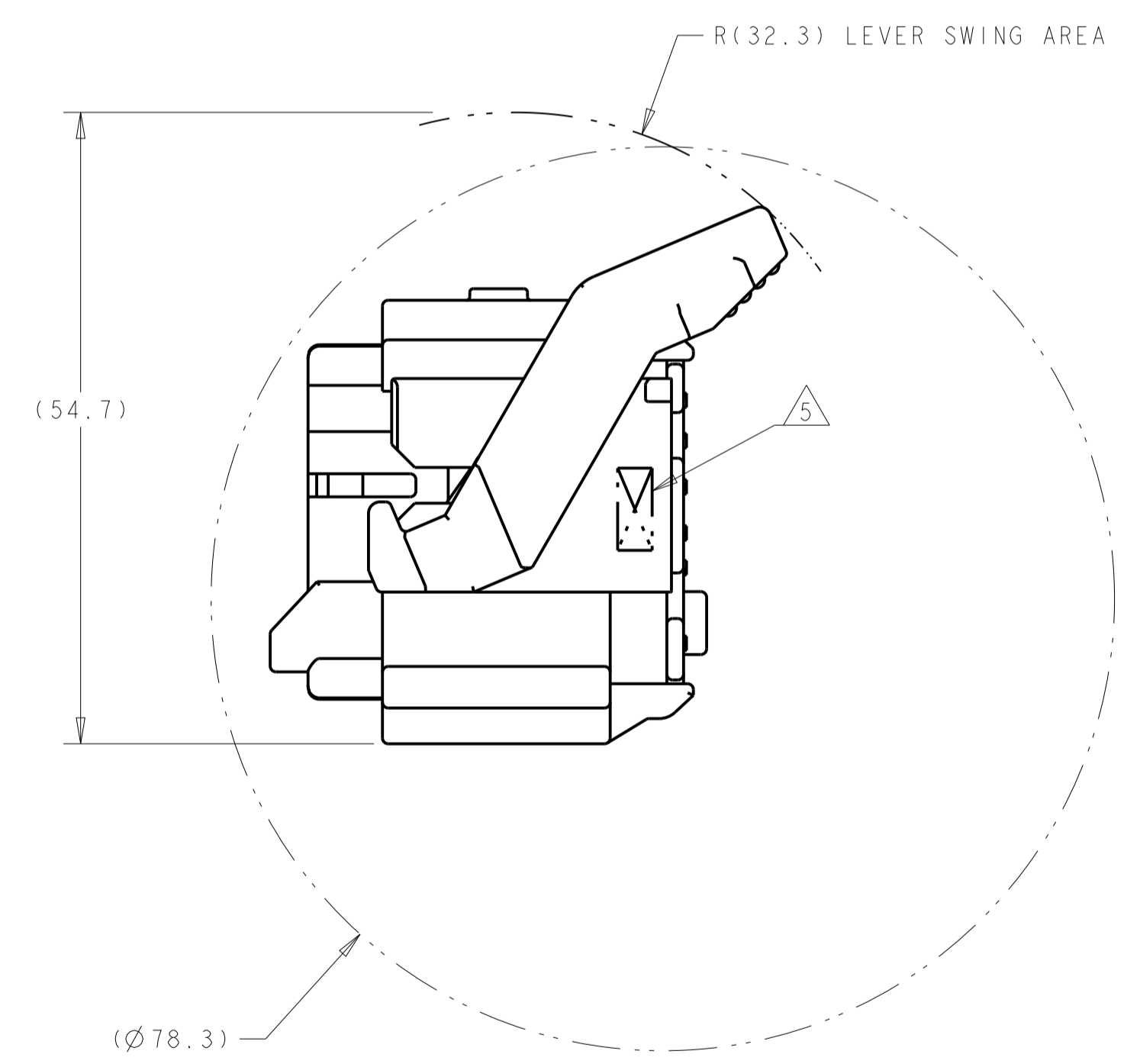
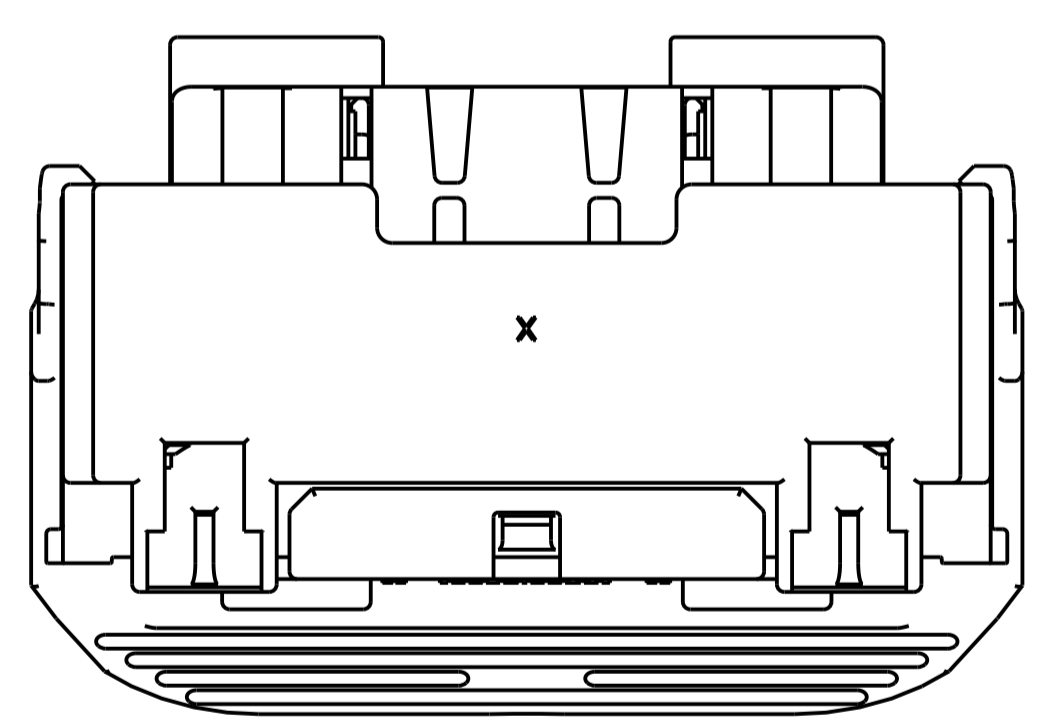
1. PRINT FORD PART NUMBER (SEE ATTACHED CHARTS) AND TRACEABILITY CODE (YY = 2 DIGIT YEAR, JJJ = JULIAN DATE, HH = 2 DIGIT MILITARY HOUR) IN THIS LOCATION AT ASSEMBLY. SEE SHEETS 3, 4 AND 5 (-*) PART NUMBERS.
 2. APPLICABLE MOLEX (1.5) POWER TERMINAL PART NUMBERS:
33012-0002 TIN 0.50-1.50mm²
 3. CAM LEVER AND SPACER ARE SHIPPED IN THEIR PRE-ASSEMBLED POSITIONS.
 4. REFERENCE TE INSTRUCTION SHEET 408-8893.
- △ COMPANY LOGO.



SECTION A-A
SPACER AND LEVER
IN PRE-SEATED POSITION
(DELIVERY POSITION)



SHOWN WITH CAM
LEVER AND SPACER
IN LOADED POSITION



MIN. FEED THRU CONDITION
WITH 1mm CLEARANCE ALL AROUND
SHOWN WITH SPACER IN SEATED POSITION

APPLICABLE COMPONENTS (FOR REFERENCE ONLY)						
DESCRIPTION	NOMINAL TERMINAL SIZE	COLOR/PLATING	FORD COMPONENT PART NUMBER	SUPPLIER PART NUMBER	MATERIAL/SPECIFICATION NUMBER	SAE WIRE SIZE
TERMINAL - FEMALE (Ag)	0.64 (CAT. 0)	SILVER	7S4T-14474-AA	1393366-2	COPPER ALLOY/SILVER PLATE	20AWG 18AWG
TERMINAL - FEMALE (Ag)	0.64 (CAT. 0)	SILVER	7S4T-14474-BA	1393367-2	COPPER ALLOY/SILVER PLATE	22AWG
TERMINAL - FEMALE (Sn)	0.64 (CAT. 0)	TIN	1L2T-14474-AA	1393366-1	COPPER ALLOY/TIN PLATE	20AWG 18AWG
TERMINAL - FEMALE (Sn)	0.64 (CAT. 0)	TIN	1L2T-14474-BA	1393367-1	COPPER ALLOY/TIN PLATE	22AWG
TERMINAL - FEMALE (Au)	0.64 (CAT. 0)	GOLD	1L2T-14474-CA	1393365-1	COPPER ALLOY/GOLD PLATE	20AWG 18AWG
TERMINAL - FEMALE (Au)	0.64 (CAT. 0)	GOLD	1L2T-14474-DA	1393364-1	COPPER ALLOY/GOLD PLATE	22AWG

SEE SHEETS 3 THRU 7
PART NUMBER

THIS DRAWING IS A CONTROLLED DOCUMENT.

OWN: R. VESTAL 15APR2005	CHK: T. VALASEK 15APR2005	APVD: T. VALASEK 15APR2005	NAME: T. VALASEK
DIMENSIONS: mm		TOLERANCES UNLESS OTHERWISE SPECIFIED:	
0 PLC ±0.3		1 PLC ±0.10	
2 PLC ±0.10		3 PLC ±0.10	
4 PLC ±0.10		ANGLES ±1°	
MATERIAL: -	FINISH: -	WEIGHT: -	RESTRICTED TO: -
CUSTOMER DRAWING		SCALE: 2:1	SHEET 1 OF 11

STE TE Connectivity

PRODUCT SPEC: 70-WAY HARNESS ASSEMBLY

APPLICATION SPEC: -

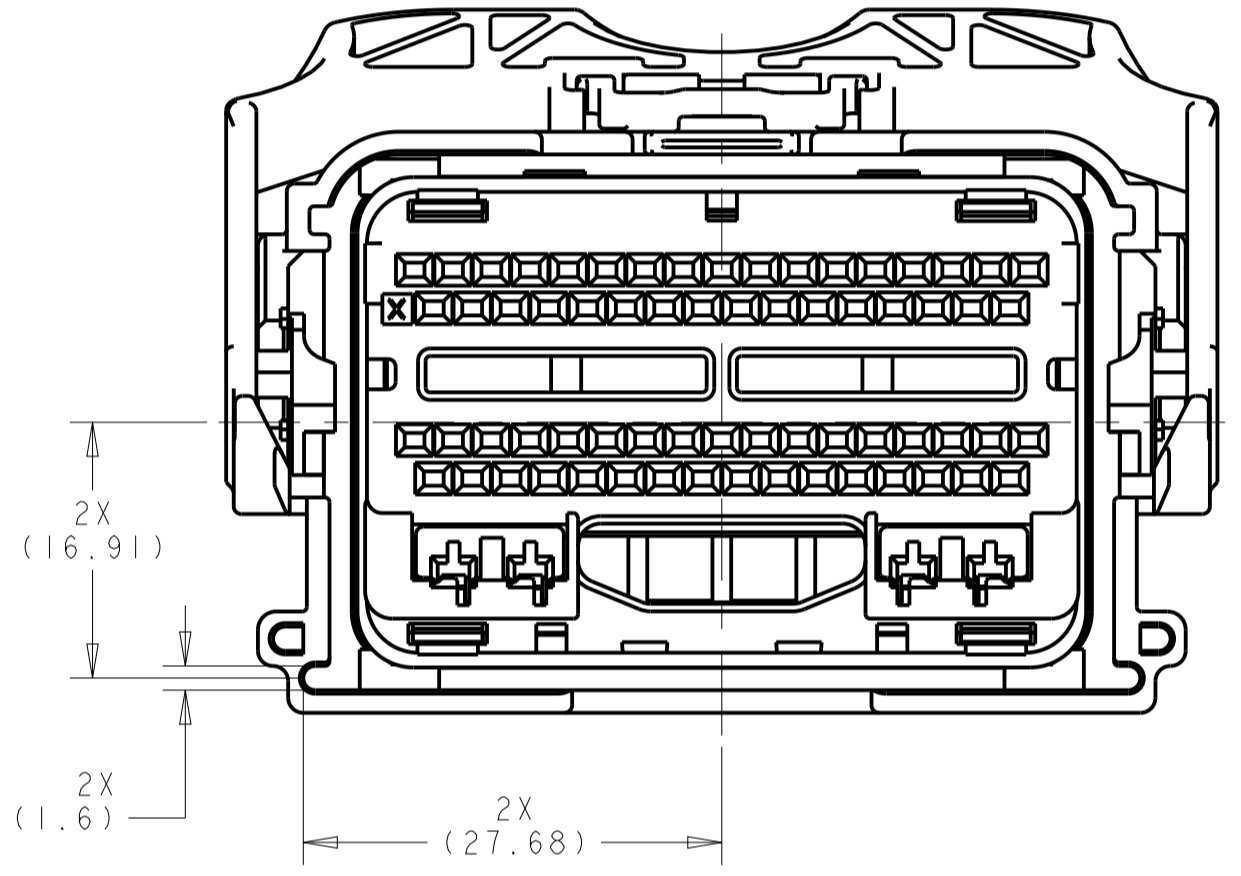
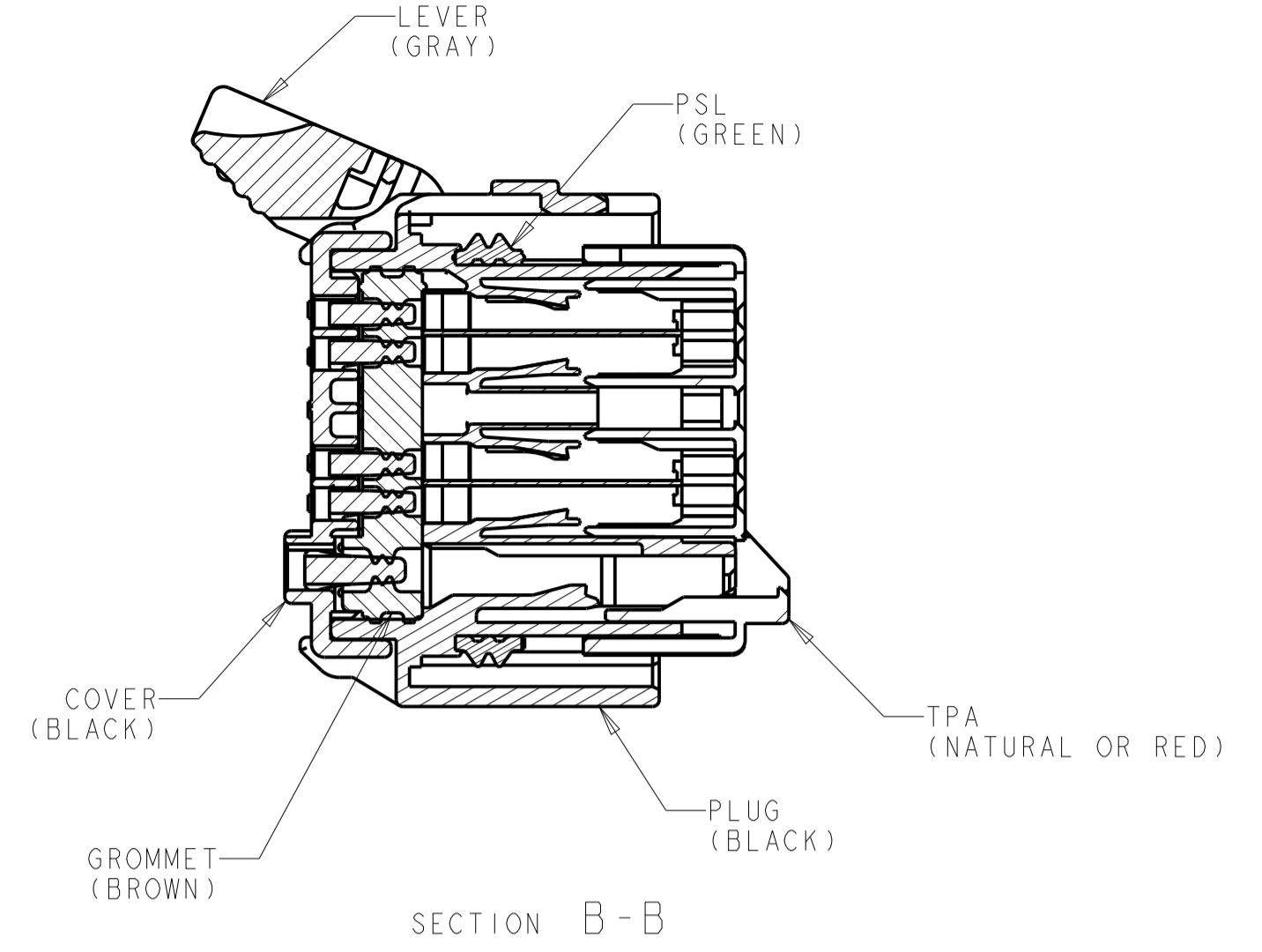
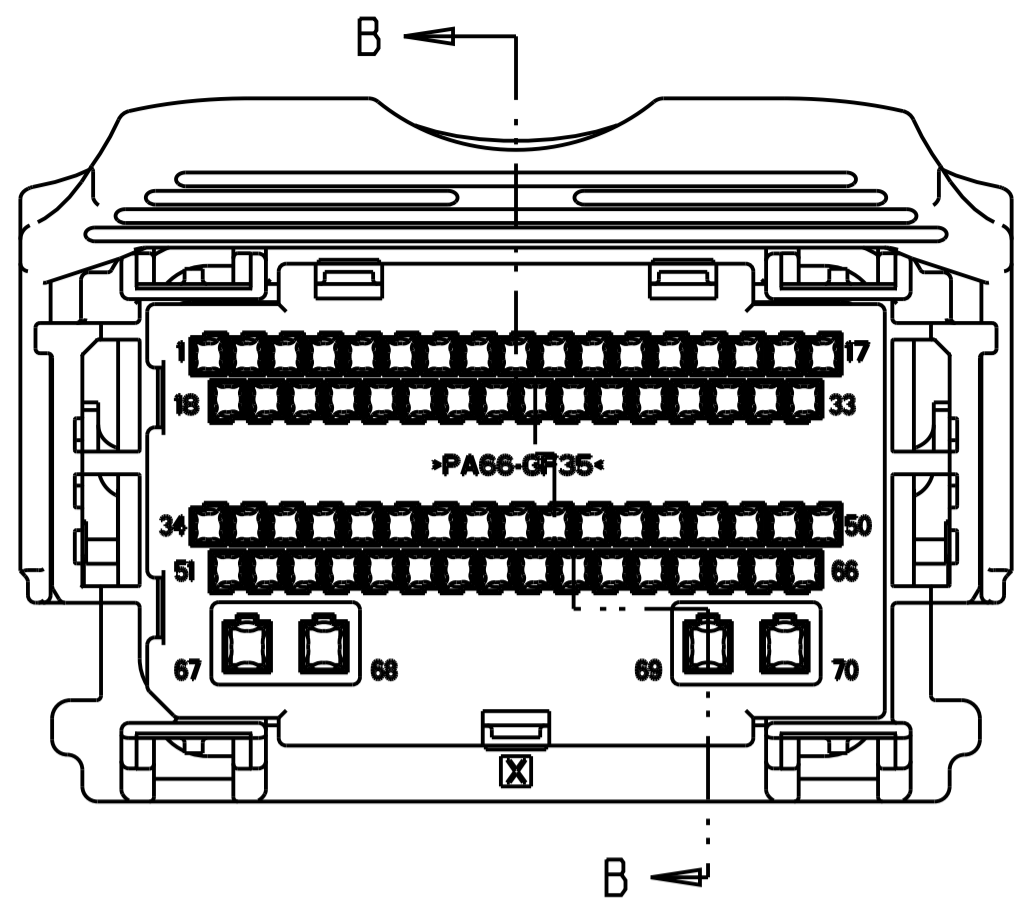
SIZE: A1

CAGE CODE: 100779

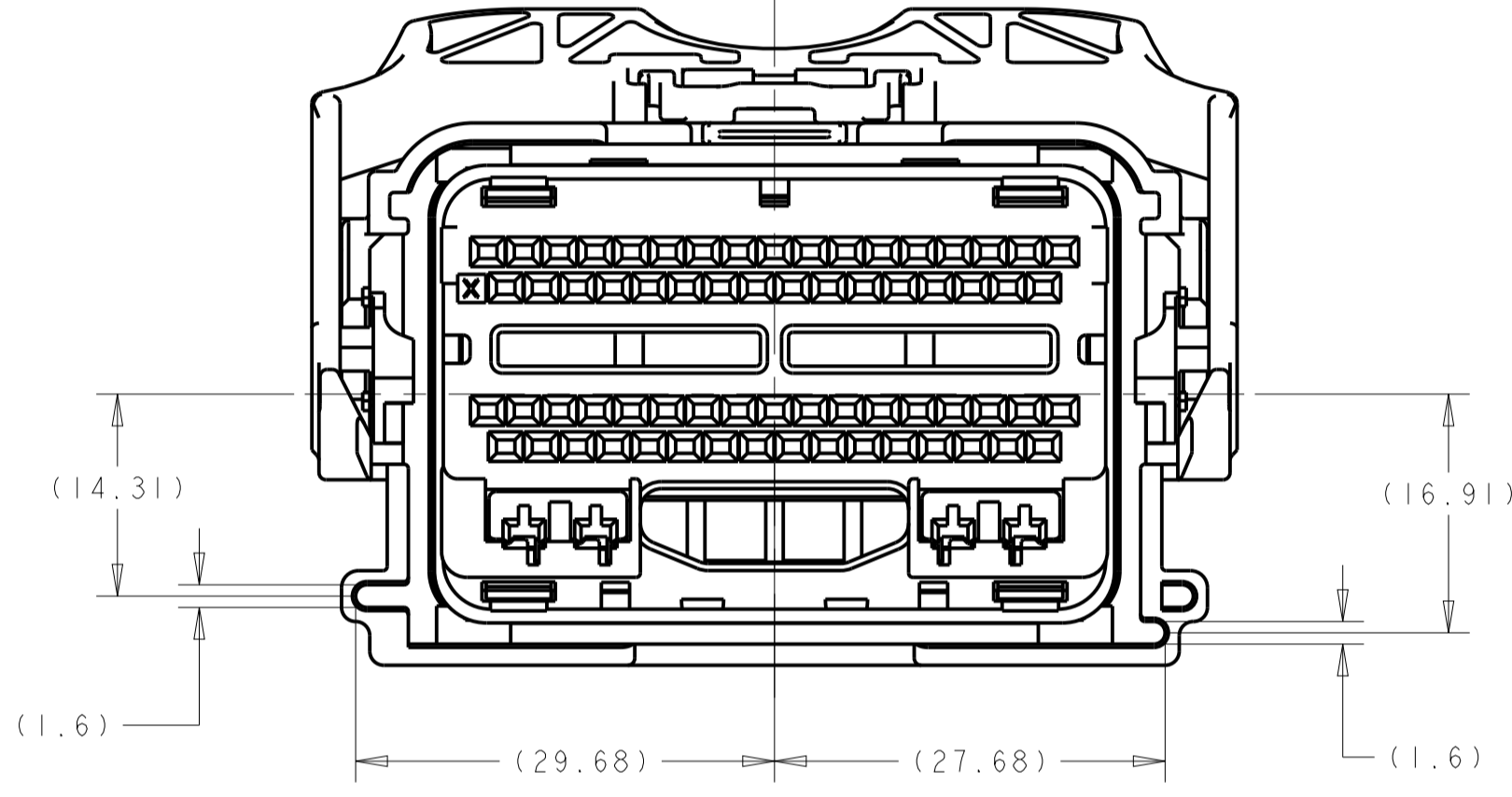
DRAWING NO: 1438136

REV: G47

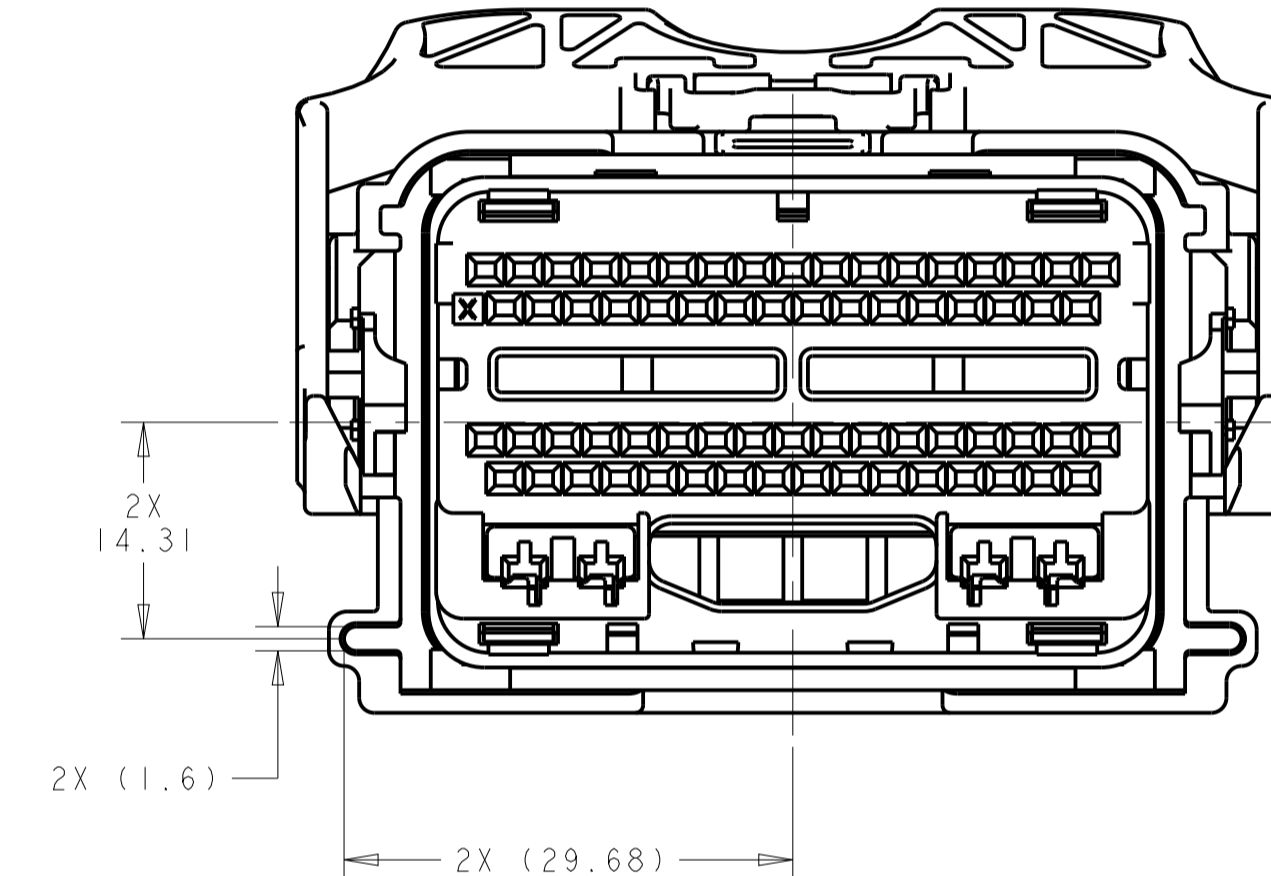
REVISIONS				
P.	LTN	DESCRIPTION	DATE	APVD
-	-	SEE SHEET 1	-	-



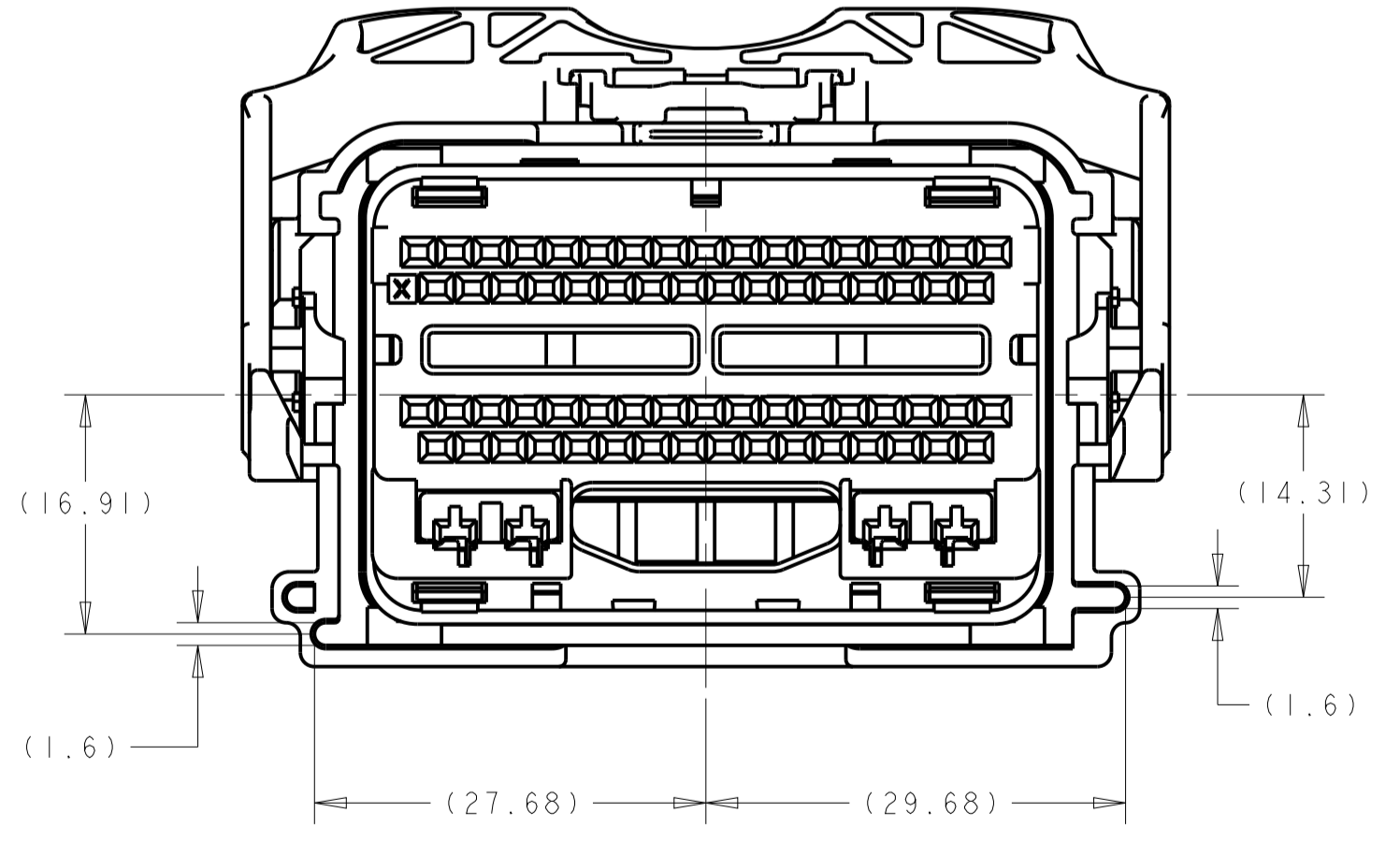
KEYING OPTION "A"



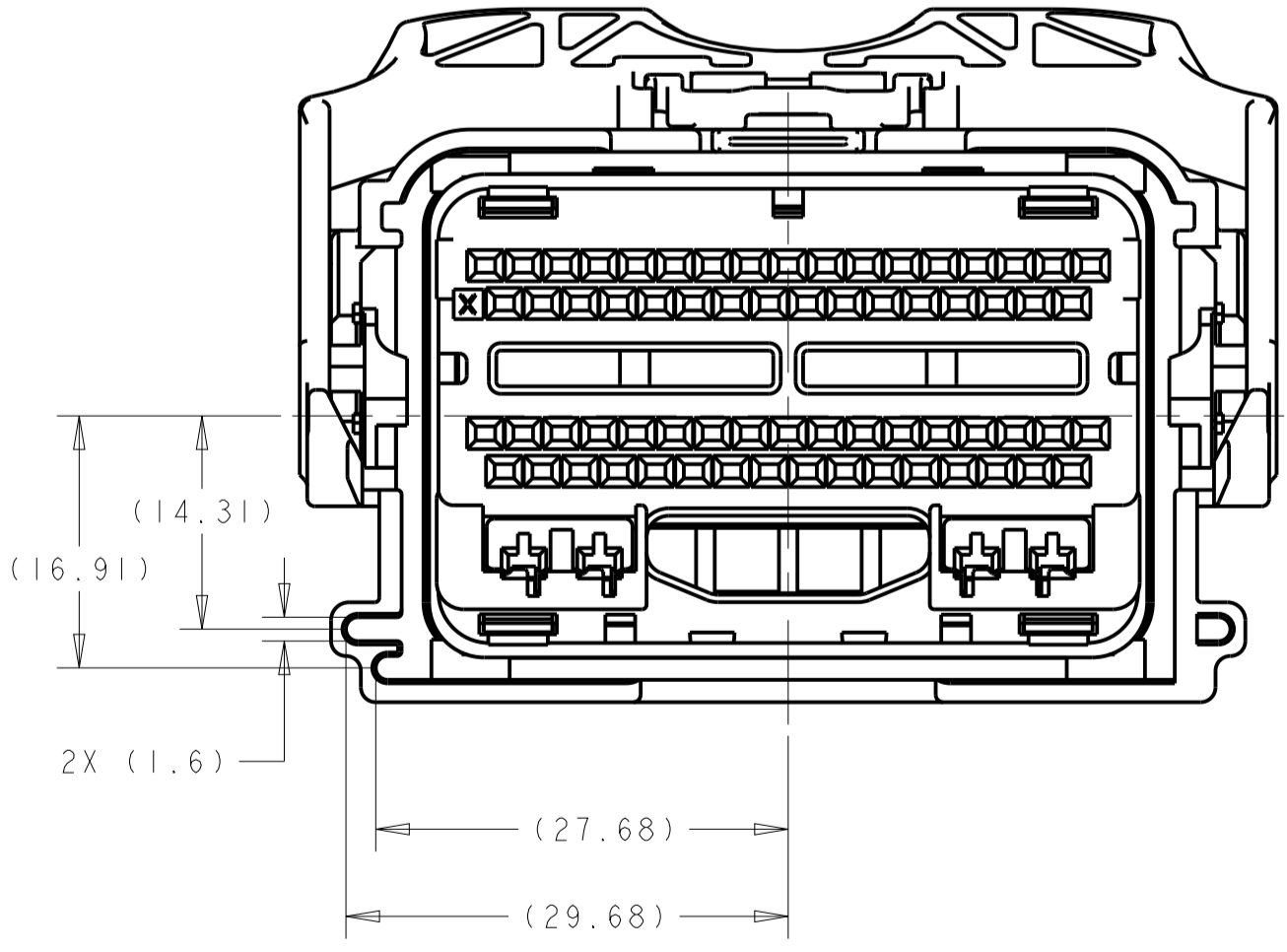
KEYING OPTION "B"



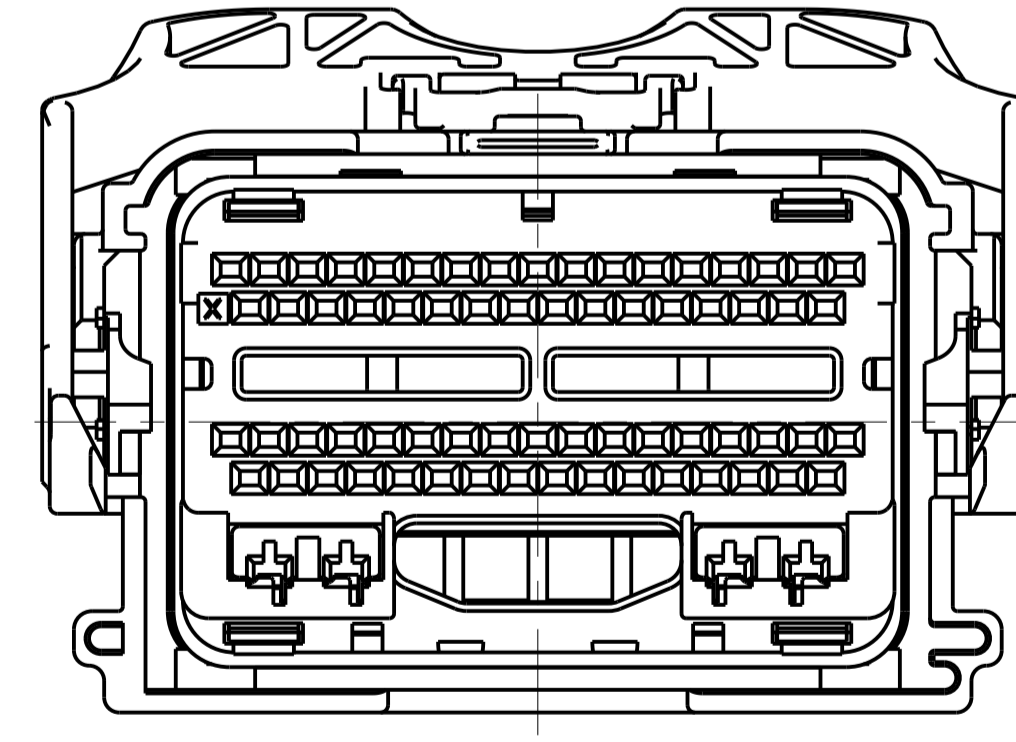
KEYING OPTION "C"



KEYING OPTION "D"



KEYING OPTION "E"



KEYING OPTION "F"

THIS DRAWING IS A CONTROLLED DOCUMENT.		OWN: R. VESTAL 15APR2005	TE Connectivity
DIMENSIONS: mm		CHK: T. VALASEK 15APR2005	
TOLERANCES UNLESS OTHERWISE SPECIFIED: 0 PLC ± 1 PLC ±0.3 2 PLC ±0.10 3 PLC ± 4 PLC ± ANGLES ±1°		APVD: T. VALASEK 15APR2005	NAME: 70-WAY HARNESS ASSEMBLY
MATERIAL: -		PRODUCT SPEC: -	RESTRICTED TO: -
FINISH: -		APPLICATION SPEC: -	SIZE: A1
CUSTOMER DRAWING		WEIGHT: -	CAGE CODE: 1438136
		SCALE: 2:1	SHEET 2 OF 11

REVISIONS				
P.	LTN	DESCRIPTION	DATE	APVD
-		SEE SHEET 1	-	-

KEYING OPTION A																																																																																																				ASSEMBLY PART NUMBER					FORD PART NUMBER									
70 69 68 67 65 63 62 61 60 59 56 55 54 53 52 51 50 49 48 47 46 45 44 43 42 41 40 39 38 37 36 35 34 33 32 31 30 29 28 27 26 25 24 23 22 21 20 19 18 17 16 15 14 13 12 11 10 9 8 7 6 5																																																		9-2035383-9																																																		5L3T-14A464-DA-080														
69 66 65 64 63 62 61 60 59 58 57 56 55 54 53 52																																																		34 33 32 31 30 27 26 25 24 20 17 16 12																																																		9-2035383-5					5L3T-14A464-DA-079									
70 69 66 65 64 63 62 61 60 59 58 56 55 54 53 51 50 49 48 46 45 44 43 42 41 40 39 38 37 36 35 34 33 32 31 30 29 28 27 26 25 24 23 22 20 19 18 17 16 15 12 11 10 9 7 6 5 4 3 2 1																																																		9-2035383-3																																																		5L3T-14A464-DA-078														
65 64 63 62 56 50 43 42 40 39 36 35 31 30 22 21 20 17 16 15 14 12 11 9 8 7 6																																																		1-2035383-4																																																		5L3T-14A464-DA-077														
68 67 65 64 56 50 44 43 42 40 39 33 31 30 27 24 23 21 20 18 13 8 6 2																																																		1-2035383-0																																																		5L3T-14A464-DA-076														
68 67 64 63 62 57 50 49 48 44 43 42 40 33 32 31 30 27 24 23 21 20 19 18 4 3 2 1																																																		2035383-8																																																		5L3T-14A464-DA-075														
68 67 64 63 60 57 54 53 52 50 49 48 46 45 43 42 40 38 37 36 35 34 33 32 31 30 29 28 27 26 25 24 23 22 21 20 19 15 14 13 12 10 9 8 6 5 4 3 2 1																																																		7-1456659-1																																																		5L3T-14A464-DA-073														
65 64 63 62 56 50 43 42 40 39 33																																																		5-1456659-9																																																		5L3T-14A464-DA-072														
64 63 62 57 56 55 50 43 42 39 38 32 27 25 22 21 20 19 18 14 9 8 7 6 5 2 1																																																		5-1456659-8																																																		5L3T-14A464-DA-071														
68 67 63 62 50 44 43 42 40 33 27 21 20 18 6 2																																																		5-1456659-7																																																		5L3T-14A464-DA-070														
64 63 62 56 50 43 42 40 39 33 27 21 20 18 13 8 6																																																		5-1456659-6																																																		5L3T-14A464-DA-069														
65 64 63 62 57 56 55 50 43 39 38 33 32 27 26 25 22 14 13 9 8 3																																																		5-1456659-4																																																		5L3T-14A464-DA-068														
65 64 63 62 57 56 55 50 43 39 38 33 32 27 26 25 22 21 20 19 18 14 13 9 8 7 6 5 4 3																																																		4-1456659-9																																																		5L3T-14A464-DA-067														
65 64 63 62 57 56 55 50 43 39 38 33 32 29 28 27 26 25 22 21 20 18 14 13 9 8 3																																																		4-1456659-8																																																		5L3T-14A464-DA-066														
65 52 48 47 40 38 36 35 32 31 30 29 27 24 22 21 20 18 17 16 15 14 13 12 11 9 8 7 6																																																		4-1456659-7																																																		5L3T-14A464-DA-065														
68 67 64 63 62 57 50 49 48 44 43 42 40 33 32 31 30 27 24 21 20 19 18 3-1456659-8																																																		5L3T-14A464-DA-064																																																																
68 67 62 61 53 52 49 43 37 36 32 30 29 28 22 18 16 14 13 10 9 8 3-1456659-4																																																		5L3T-14A464-DA-063																																																																
65 53 52 48 47 46 45 44 38 37 31 30 29 28 27 26 25 24 23 22 21 20 18 13 10 7 6 3-1456659-1																																																		5L3T-14A464-DA-062																																																																
68 67 65 64 56 50 44 43 42 40 39 33 31 30 27 24 23 21 20 18 13 8 7 5 2 1																																																		2-1456659-9																																																		5L3T-14A464-DA-061														
64 63 62 56 42 40 39 33 27 24 21 20 18 13 8 7																																																		2-1456659-0																																																		5L3T-14A464-DA-060														
68 67 65 63 62 50 44 43 42 40 33 27 26 25 24 23 22 21 20 18 7 6 4 3 2 1																																																		1-1456659-9																																																		5L3T-14A464-DA-059														
68 67 64 63 62 50 44 43 42 40 33 27 24 21 20 18 7																																																		1-1456659-8																																																		5L3T-14A464-DA-058														
68 67 65 64 56 50 44 43 42 40 39 33 31 30 27 24 23 20 19 18 1456659-3																																																		5L3T-14A464-DA-057																																																																
65 64 56 50 44 43 42 40 39 33 31 30 27 23 20 18 8 7 5 2 1																																																		9-1438136-9																																																		5L3T-14A464-DA-056														
65 64 63 62 56 42 40 39 33 27 23 21 20 18 13 8 7 3 2 1																																																		9-1438136-8																																																		5L3T-14A464-DA-055														

5L3T-14A464-D* PIN-OUT CHART

THIS DRAWING IS A CONTROLLED DOCUMENT.

DIMENSIONS:
mm

TOLERANCES UNLESS OTHERWISE SPECIFIED:
 0 PLC ±.
 1 PLC ±0.3
 2 PLC ±0.10
 3 PLC ±.
 4 PLC ±.
 ANGLES ±

MATERIAL: -
FINISH: -

OWN: R. VESTAL 15APR2005
CHK: T. VALASEK 15APR2005
APVD: T. VALASEK 15APR2005

PRODUCT SPEC: -
APPLICATION SPEC: -

WEIGHT: -
CUSTOMER DRAWING: -

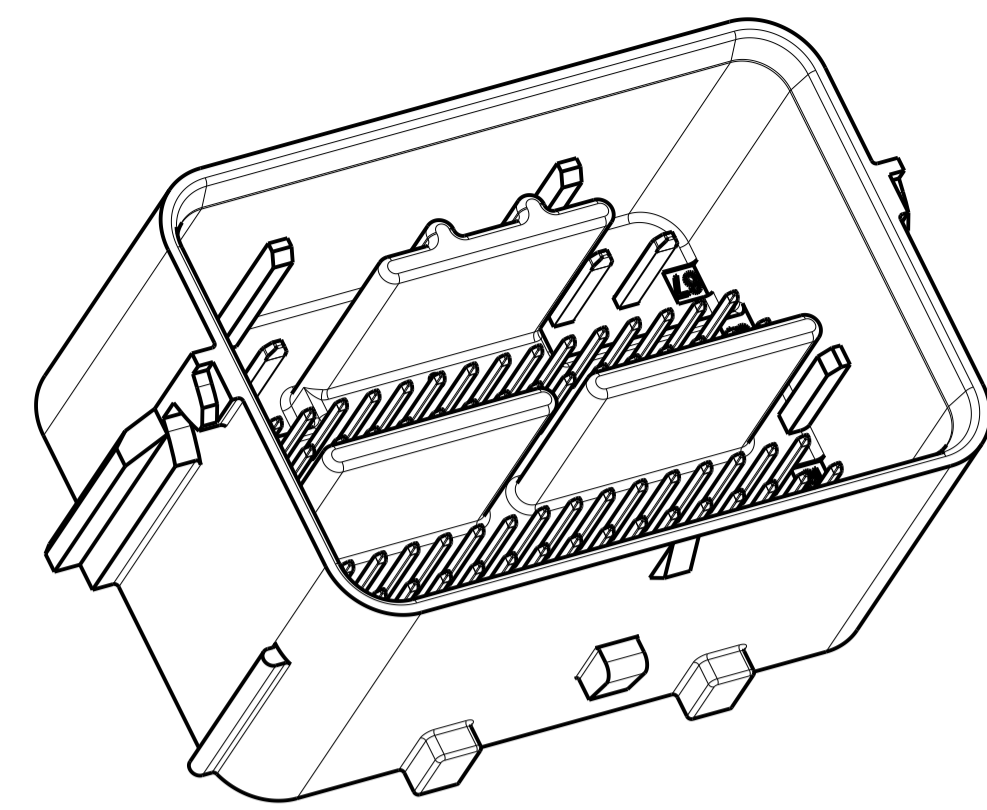
STE TE Connectivity

70-WAY HARNESS ASSEMBLY

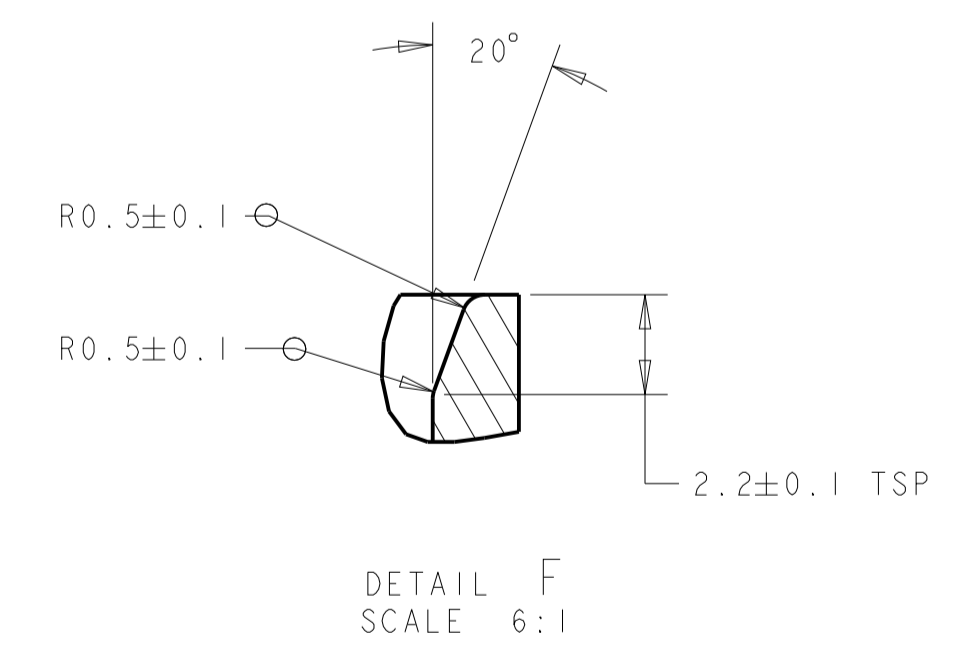
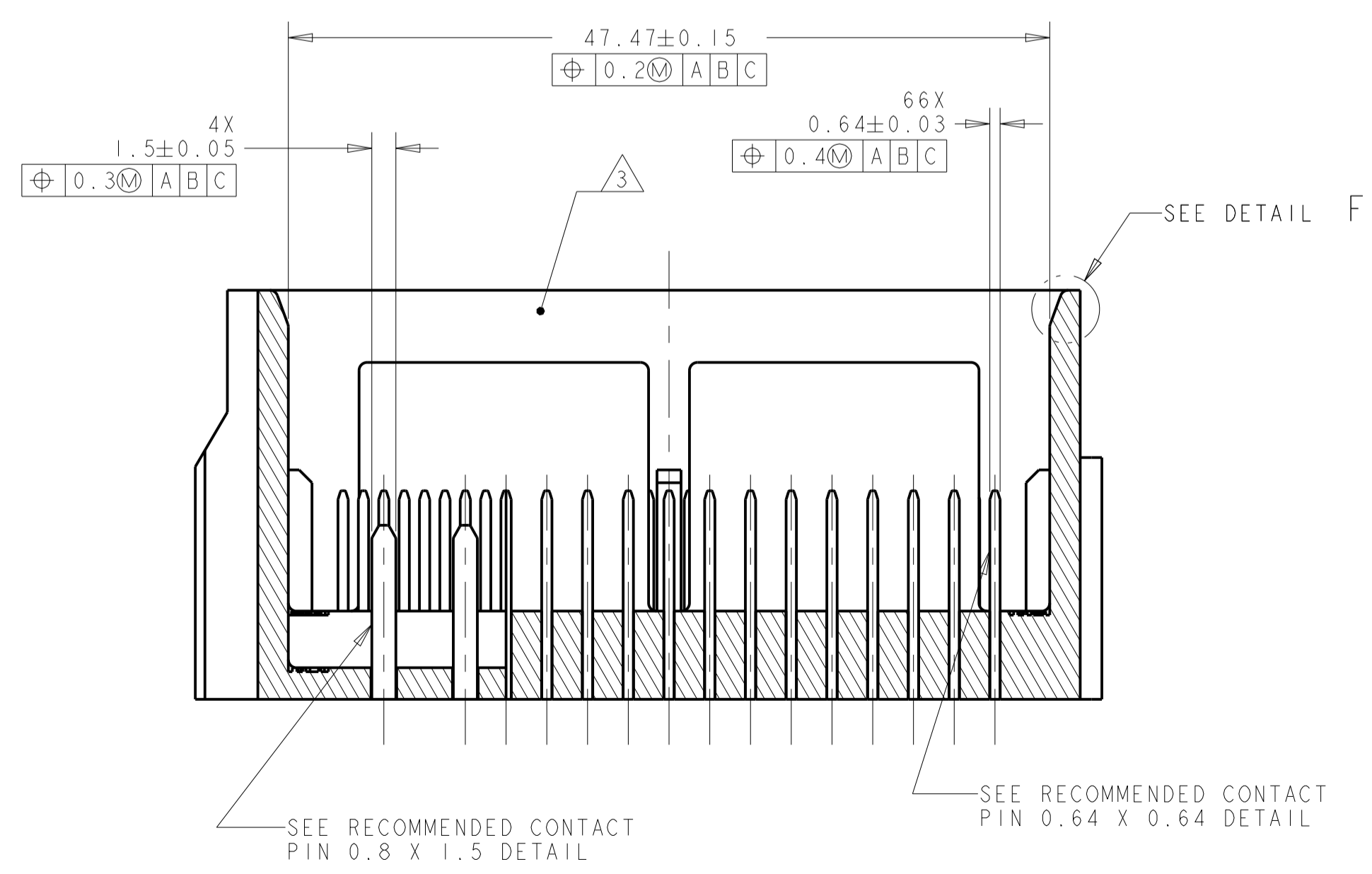
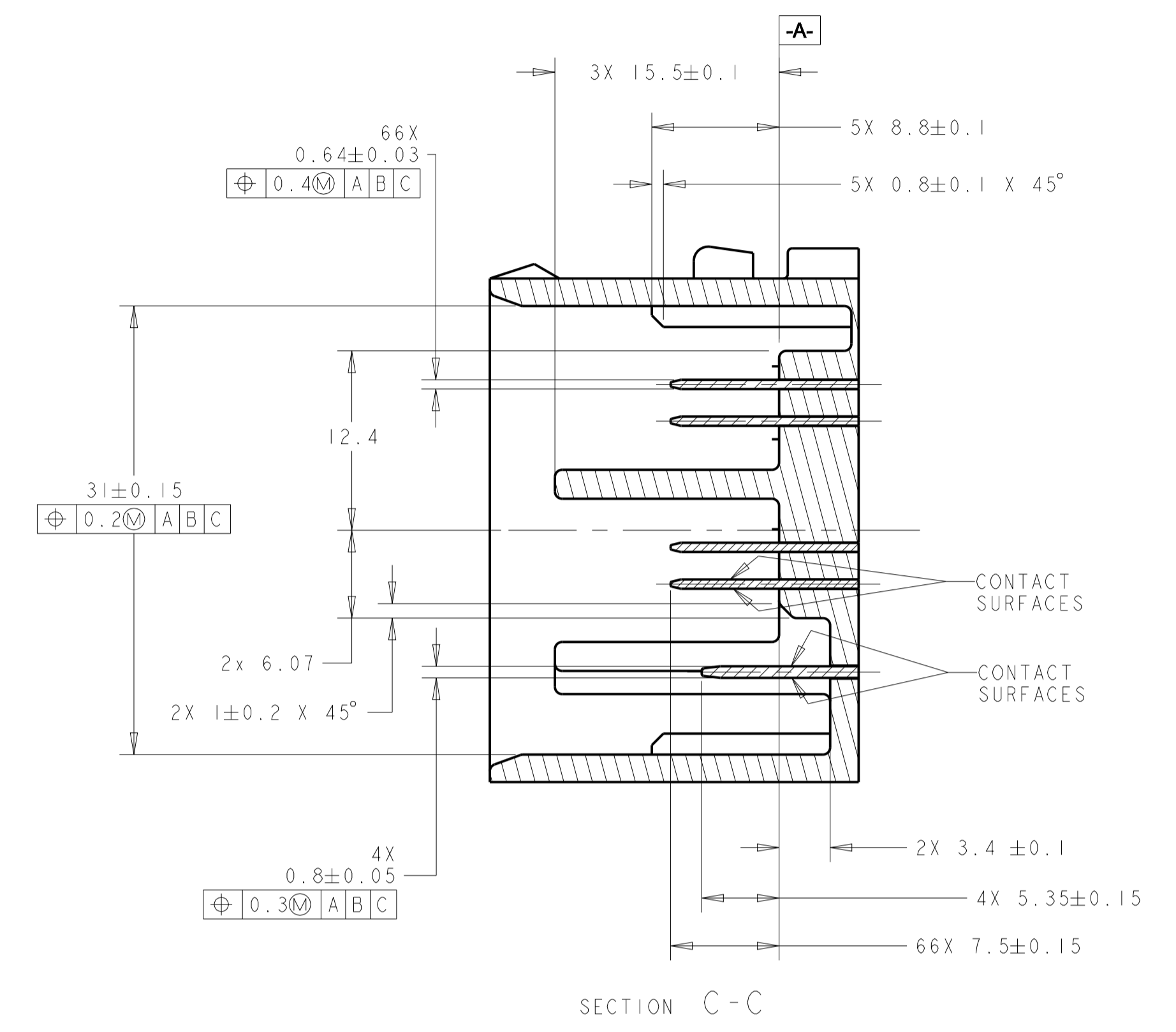
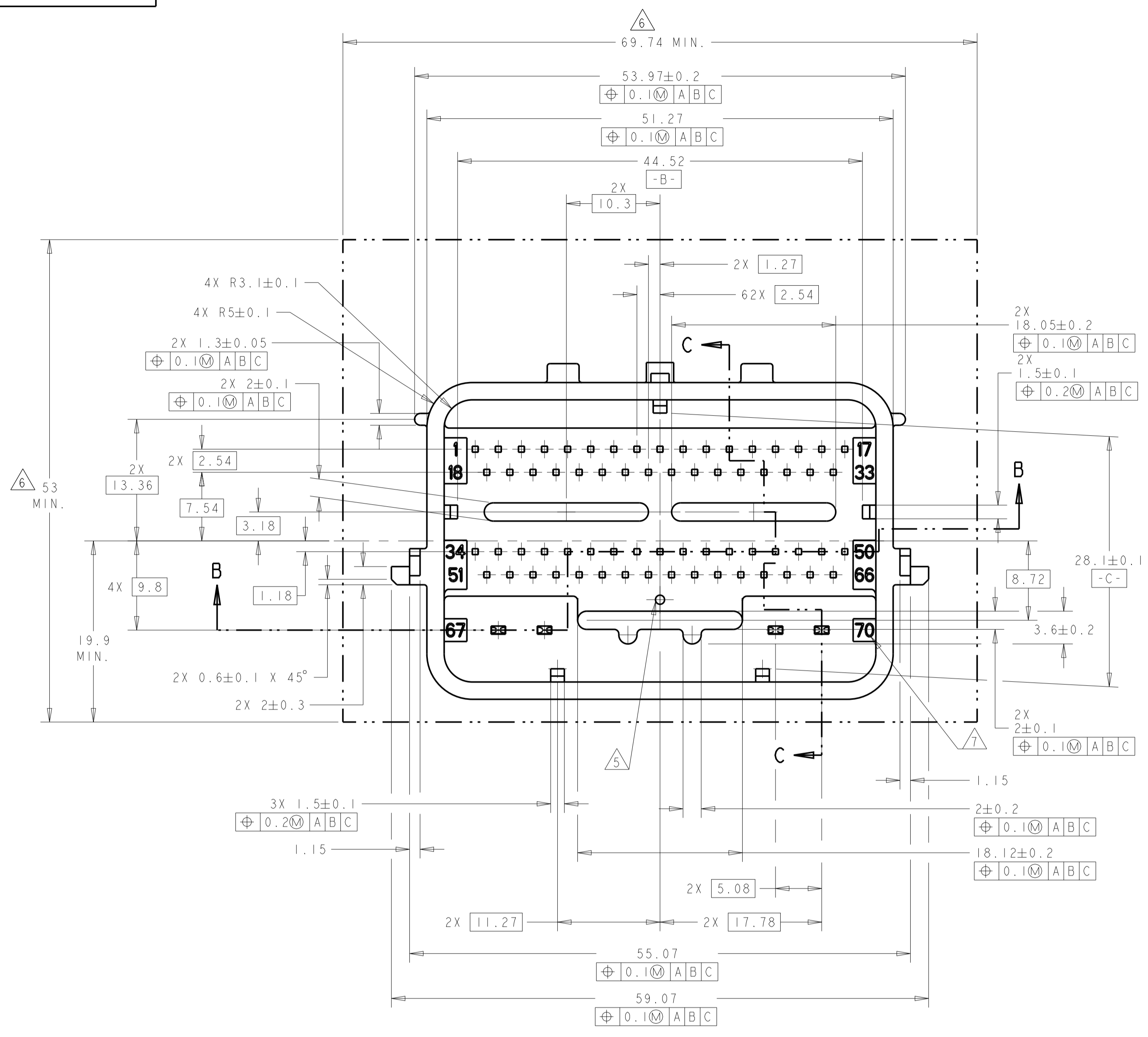
SIZE: CAGE CODE: DRAWING NO: A100779C=1438136

SCALE: 2:1 SHEET 4 OF 11 REV: G47

REVISIONS				
P.	LTN.	DESCRIPTION	DATE	APPV.
-	-	SEE SHEET 1	-	-



SCALE 2:1

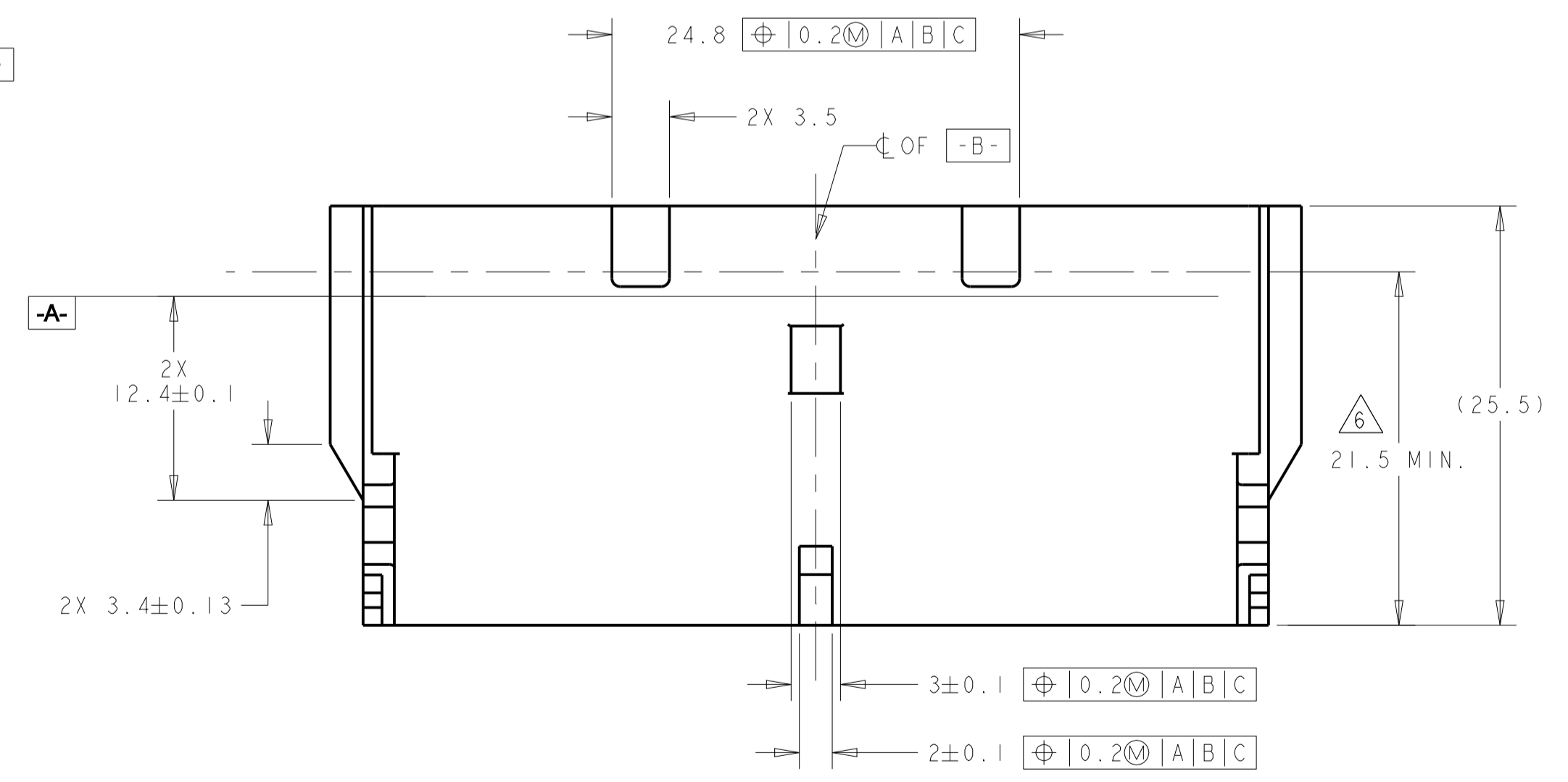
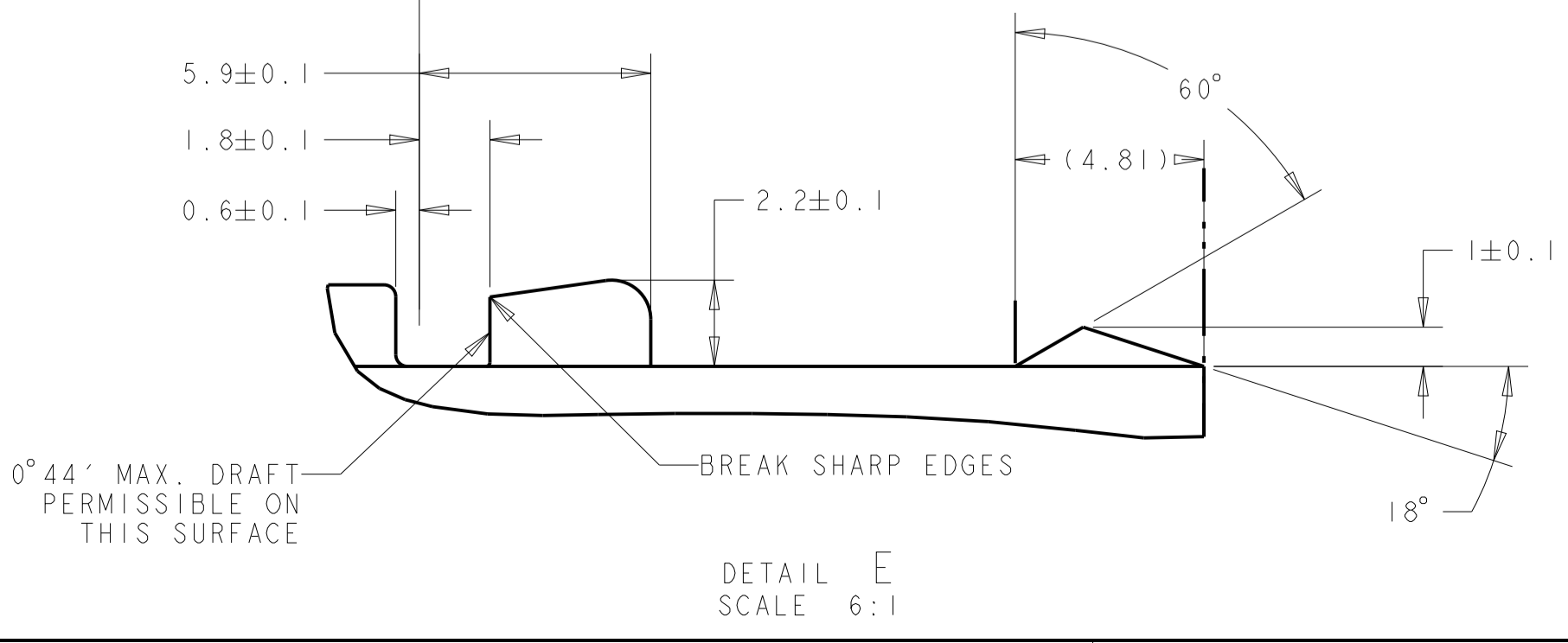
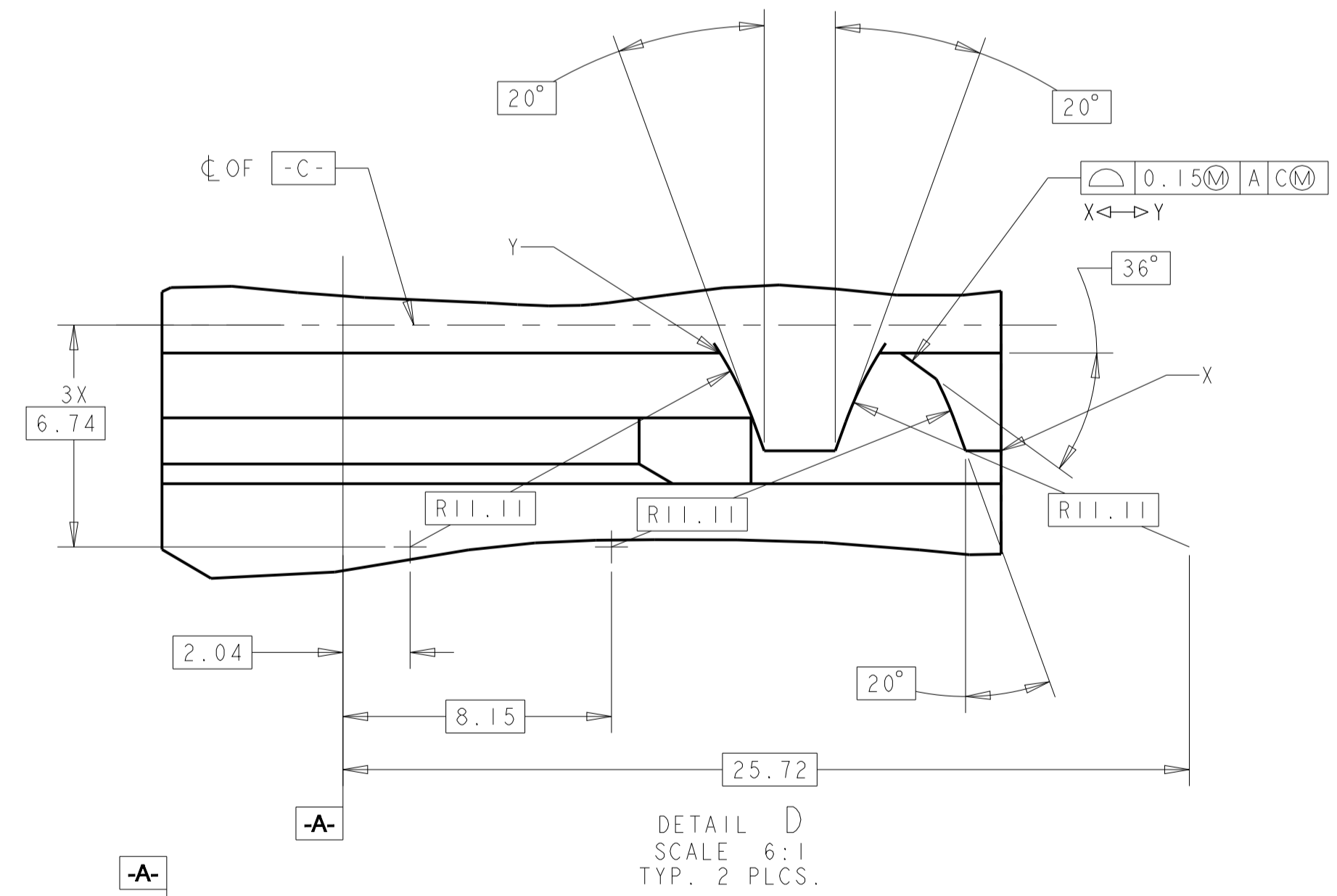
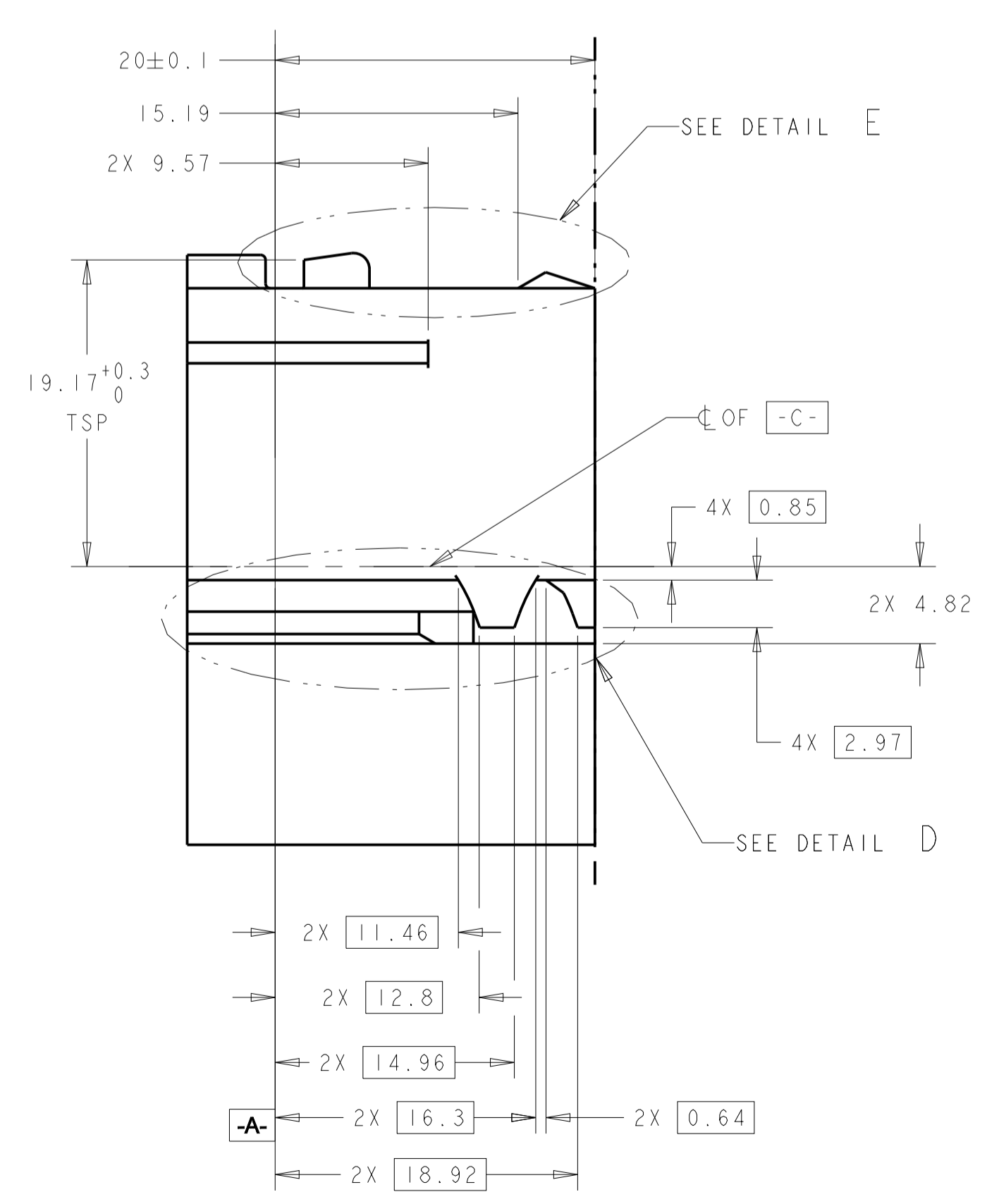
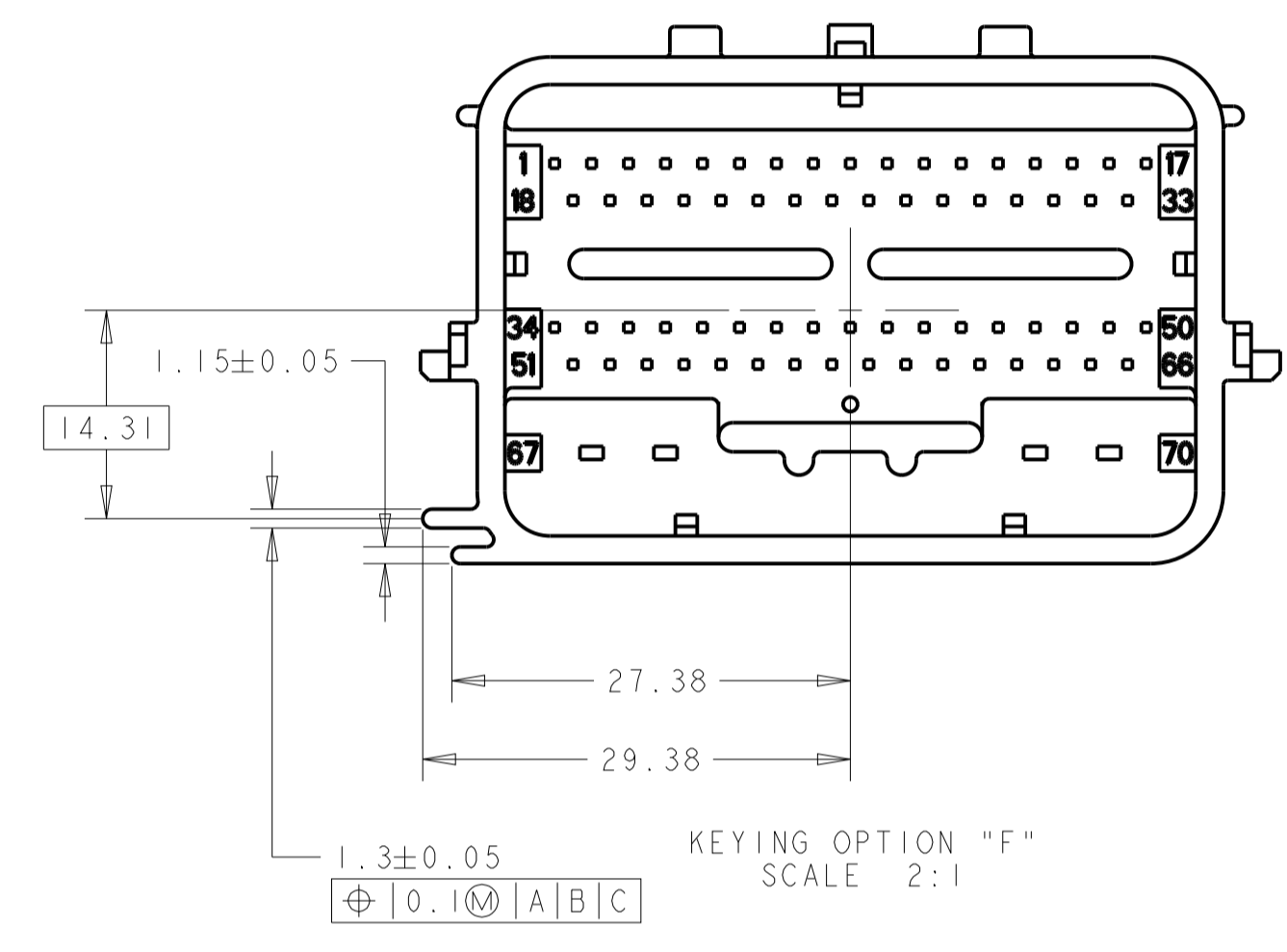
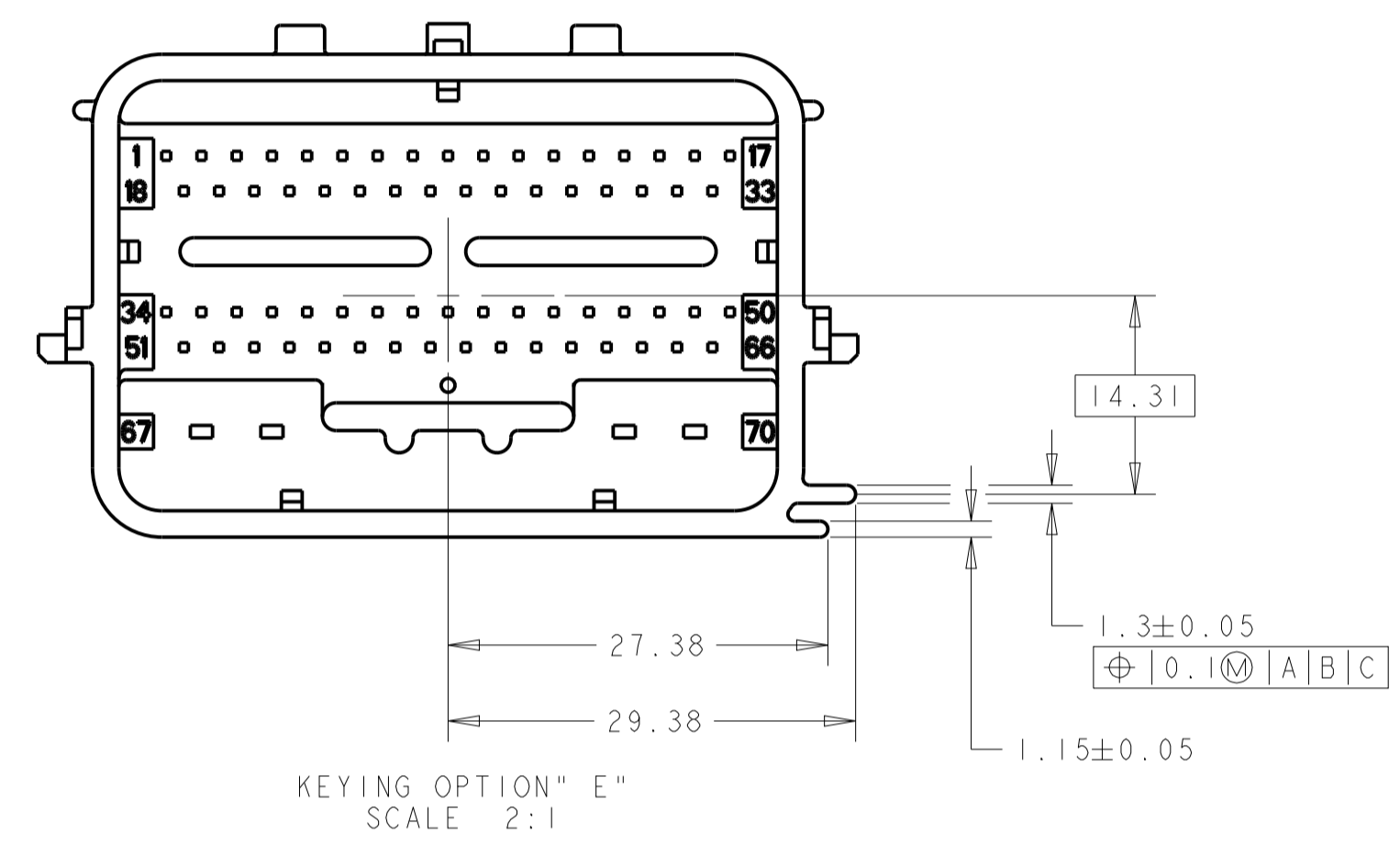
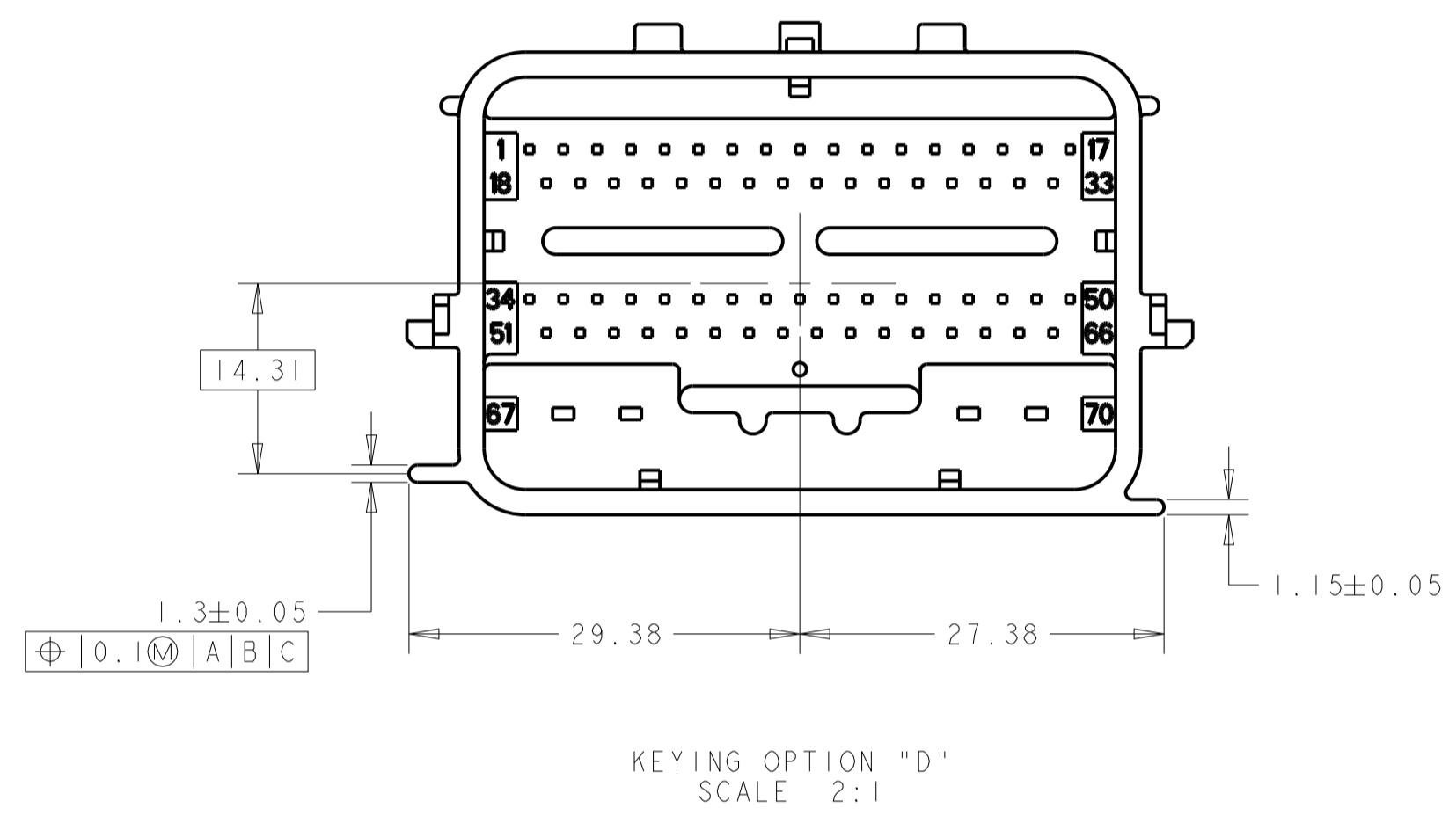
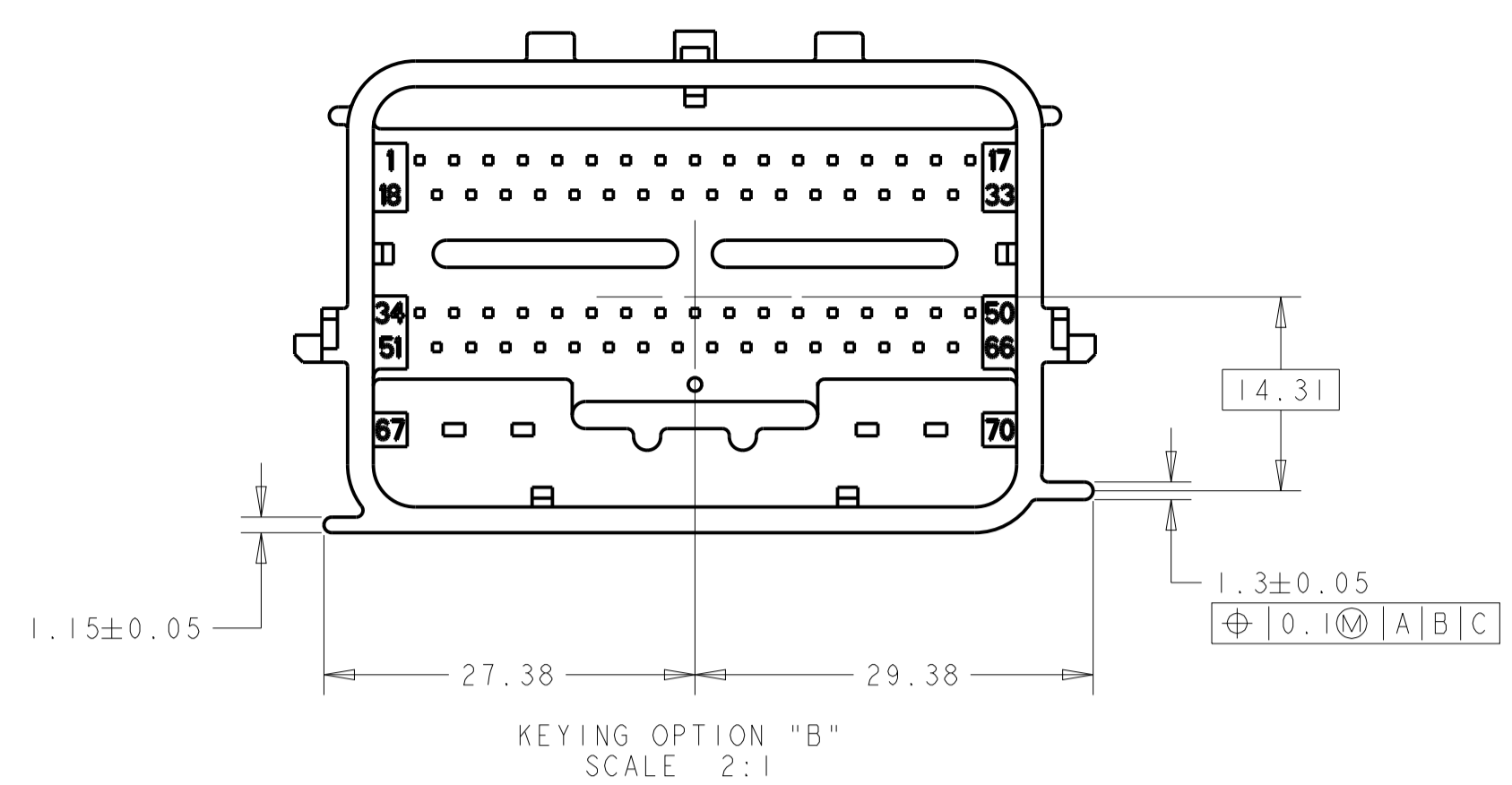
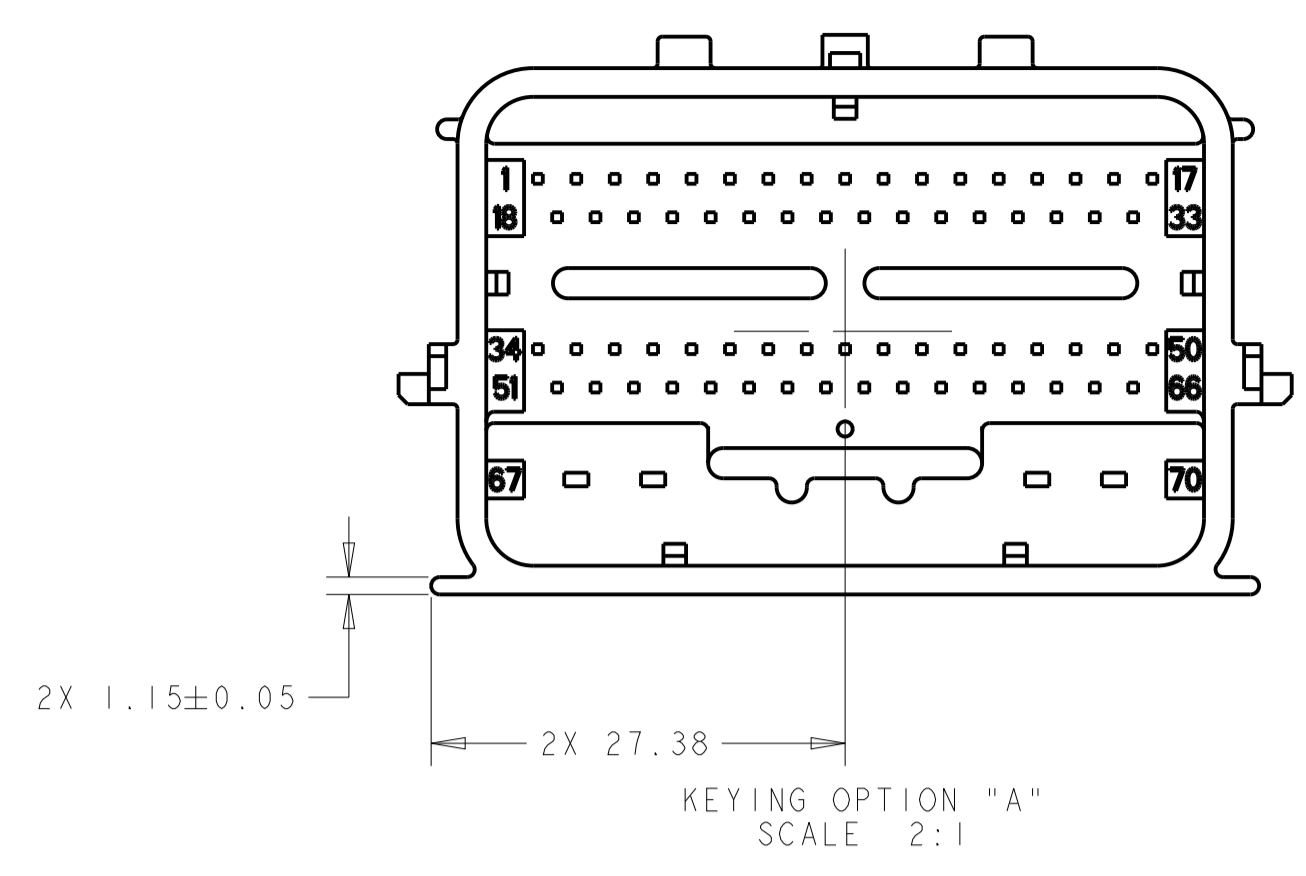


- NOTES: UNLESS OTHERWISE SPECIFIED
- GENERAL TOLERANCE:
±0.3 ALL ONE PLACE DIMENSIONS
±0.10 ALL TWO PLACE DIMENSIONS
±1°00' ALL ANGULAR DIMENSIONS
 - DRAFT ANGLE PERMISSIBLE ONLY WITHIN DRAWING TOLERANCE.
 - SEALING SURFACE, NO WITNESS LINES OF DAMAGE PERMITTED.
 - ALL UNMARKED RADI TO BE 0.5 MAX., UNLESS OTHERWISE SPECIFIED
 - VENT HOLE SIZE AND LOCATION IS OPTIONAL.
 - THIS AREA TO REMAIN CLEAR FOR THE HARNESS ASSEMBLY.
 - TERMINAL POSITION IDENTIFICATION.
 - MATES WITH TYCO ELECTRONICS PART# 1438136-*

THIS DRAWING IS A CONTROLLED DOCUMENT.		OWN: R. VESTAL 15APR2005	TE Connectivity										
DIMENSIONS: mm		CHK: T. VALASEK 15APR2005											
TOLERANCES UNLESS OTHERWISE SPECIFIED:		APVD: T. VALASEK 15APR2005	NAME: 70-WAY HARNESS ASSEMBLY										
<table border="1"> <tr> <td>0 PLC</td> <td>±</td> </tr> <tr> <td>1 PLC</td> <td>±0.3</td> </tr> <tr> <td>2 PLC</td> <td>±0.10</td> </tr> <tr> <td>3 PLC</td> <td>±</td> </tr> <tr> <td>4 PLC</td> <td>±</td> </tr> </table>		0 PLC	±	1 PLC	±0.3	2 PLC	±0.10	3 PLC	±	4 PLC	±	PRODUCT SPEC	SIZE: CAGE CODE DRAWING NO
0 PLC	±												
1 PLC	±0.3												
2 PLC	±0.10												
3 PLC	±												
4 PLC	±												
MATERIAL		APPLICATION SPEC	RESTRICTED TO										
FINISH		WEIGHT	A100779C=1438136										
CUSTOMER DRAWING		SCALE 2:1	SHEET 10 OF 11										

HEADER INTERFACE KEYING OPTIONS

REVISIONS				
P.	LTN.	DESCRIPTION	DATE	APPV.
-	-	SEE SHEET 1	-	-



THIS DRAWING IS A CONTROLLED DOCUMENT.		OWN: R. VESTAL 15APR2005	TE Connectivity
DIMENSIONS: mm		CHK: T. VALASEK 15APR2005	
TOLERANCES UNLESS OTHERWISE SPECIFIED:		APVD: T. VALASEK 15APR2005	NAME: 70-WAY HARNESS ASSEMBLY
0 PLC ±0.3	1 PLC ±0.10	PRODUCT SPEC	SIZE: CAGE CODE DRAWING NO.
2 PLC ±0.10	3 PLC ±0.10	APPLICATION SPEC	RESTRICTED TO
4 PLC ±0.10	ANGLES ±0.1°	WEIGHT	A100779C=1438136
MATERIAL	FINISH	CUSTOMER DRAWING	SCALE 2:1 SHEET 11 OF 11 REV 647