



PRODUCT DATASHEET

Boom series

last update 27/9/2012

DETAILS

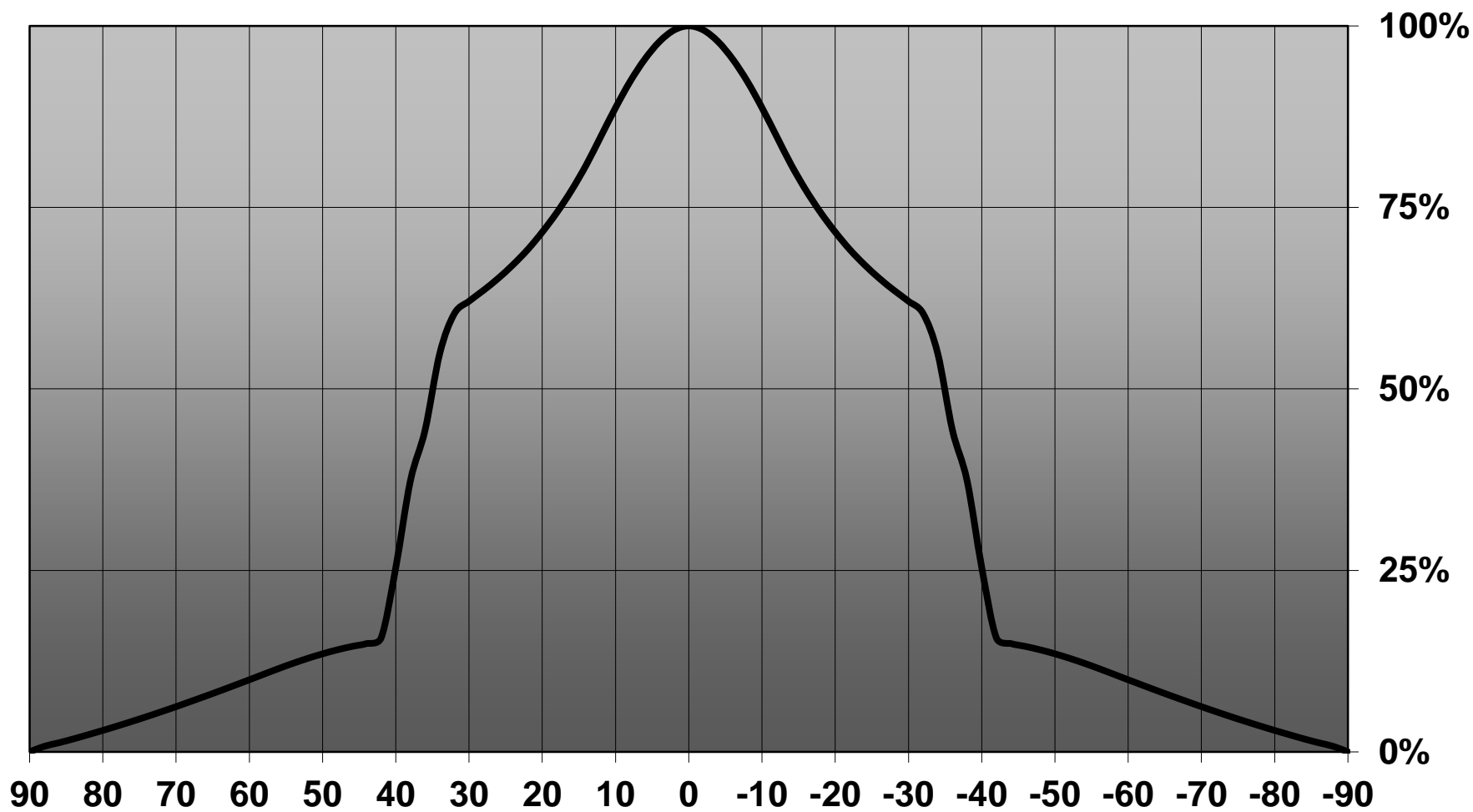
Product Number	CA12957_BOOM-XW
Family	Boom
Type	RefAssy
Color	white
Diameter	22,2 mm
Height	13,7 mm
Style	hexag
Optic Material	
Holder Material	
Fastening	tape
Status	production ready
ROHS Compliant	Yes
Date Updated	27/09/2012

OPTICAL PROPERTIES

LED	Viewing Angle	Light Beam	Efficiency	cd/lm	Connector
MC-E	70 deg	WWW-class	-	0.670	-
Duris P10	sim: 54	WWW-class	sim: 86 %	sim: 1.030	-



Relative intensity of CA12957_BOOM-MC-XW (Cree MC-E)

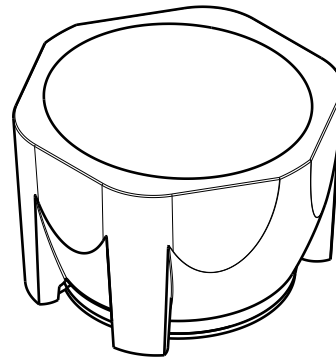
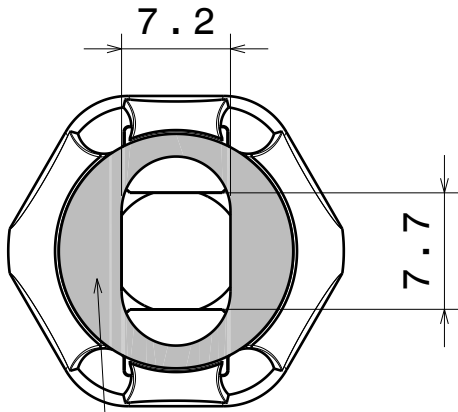


D

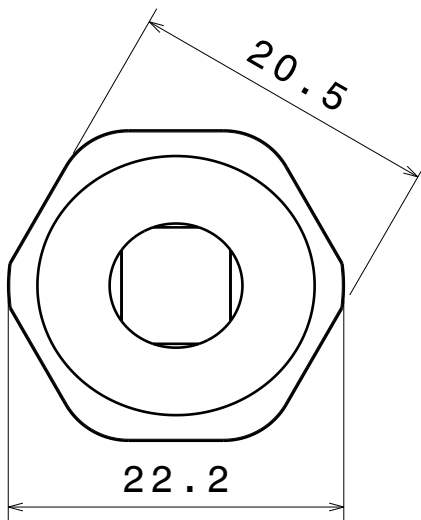
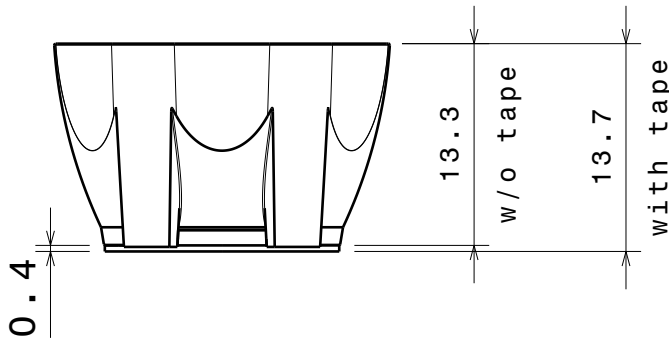
C

B

A



Isometric view



Materials:

Reflector: PC, high reflective white
 Tape: PU Foam

This drawing is our property.
 It can't be reproduced
 or communicated without
 our written agreement.



Ledil Oy
 Salorankatu 10
 FIN 24240 SALO
 Finland

DRAWING TITLE

BOOM - XW

DRAWN BY

as

DATE

3.8.2012

CHECKED BY

-

DATE

-

DESIGNED BY

pv

DATE

-

SIZE

A4

PART NUMBER

REV

001

SCALE

2:1

WEIGHT

1.98 g

SHEET

1/1

D

A

4

4

3

3

2

2

1

1

NOTE: The typical divergence will be changed by different color, chip size and chip position tolerance. The typical total divergence is the full angle measured where the luminous intensity is half of the peak value.