

# VS-PPC-C1-RJ45-MNNA-PG9-8Q5

Item cannot be ordered online at present.

Order No.: 1608016




<http://eshop.phoenixcontact.de/phoenix/treeViewClick.do?UID=1608016>

RJ45 connector, IP67, with push/pull interlocking (version 14), metal housing, 1 Gbps, 8-pos., QUICKON fast connection technology, for 26 ... 24 AWG 1-wire and 7-wire conductors



Ethernet

## Commercial data

GTIN (EAN)	 4 046356 131681
sales group	D512
Pack	1 pcs.
Customs tariff	85366990
Catalog page information	Page 194 (PC-2009)

## Product notes

WEEE/RoHS-compliant since:  
01/01/2008



<http://www.download.phoenixcontact.com>  
Please note that the data given here has been taken from the online catalog. For comprehensive information and data, please refer to the user documentation. The General Terms and Conditions of Use apply to Internet downloads.

## Technical data

### Mechanical characteristics

Number of positions	8
Connection profile	RJ45 in acc. with IEC PAS 61076-3-117
Locking type	Push Pull

Shielded	Yes
Insertion/withdrawal cycles	≥ 250
Type of connection	IDC fast connection
Conductor cross-section	0.13 mm <sup>2</sup> ... 0.32 mm <sup>2</sup> (solid) 0.14 mm <sup>2</sup> ... 0.36 mm <sup>2</sup> (stranded)
Connection cross-section AWG	26 ... 22 (solid) 26 ... 22 (stranded)
External cable diameter	5 mm ... 8 mm
Cable exit	Straight
Color	silver
Ambient temperature (operation)	-40 °C ... 70 °C

#### Material data

Inflammability class acc. to UL 94	V0
Housing material	Zinc die-cast
Housing surface material	Nickel-plated
Contact carrier material	PC
Contact material	Copper alloy
Contact surface material	Gold over nickel
Material	Metal
Material, O-ring	NBR
Cable seal material	TPE
Material, housing intermediate seal	NBR
Degree of protection	IP65/67

#### Electrical characteristics

Number of positions	8
Nominal voltage U <sub>N</sub>	50 V
Nominal current I <sub>N</sub>	1.75 A
Transmission characteristics (category)	CAT5 (IEC 11801:2002), CAT5e (TIA 568B:2001)
Rated current	1.75 A
Surge voltage category	I
Pollution degree	2

#### Certificates / Approvals

Certification

CUL, UL

---

### Accessories

Item	Designation	Description
------	-------------	-------------

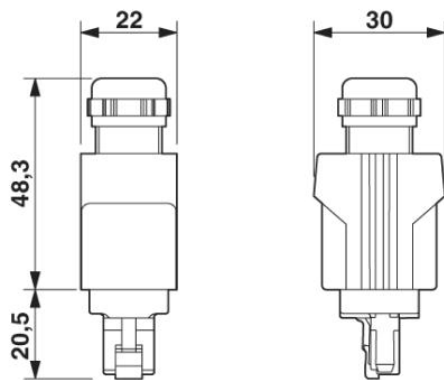
### Tools

1657407	VS-CABLE-STRIP-VARIO	Stripping tool, for the multi-level stripping of shielded cables
---------	----------------------	--

---

### Diagrams/Drawings

Dimensioned drawing



Push-pull RJ45 connector IP65/67

**Address**

PHOENIX CONTACT Deutschland GmbH  
Flachmarktstr. 8  
32825 Blomberg, Germany  
Phone +49 5235 3 12000  
Fax +49 5235 3 41200  
<http://www.phoenixcontact.de>



© 2011 Phoenix Contact  
Technical modifications reserved;