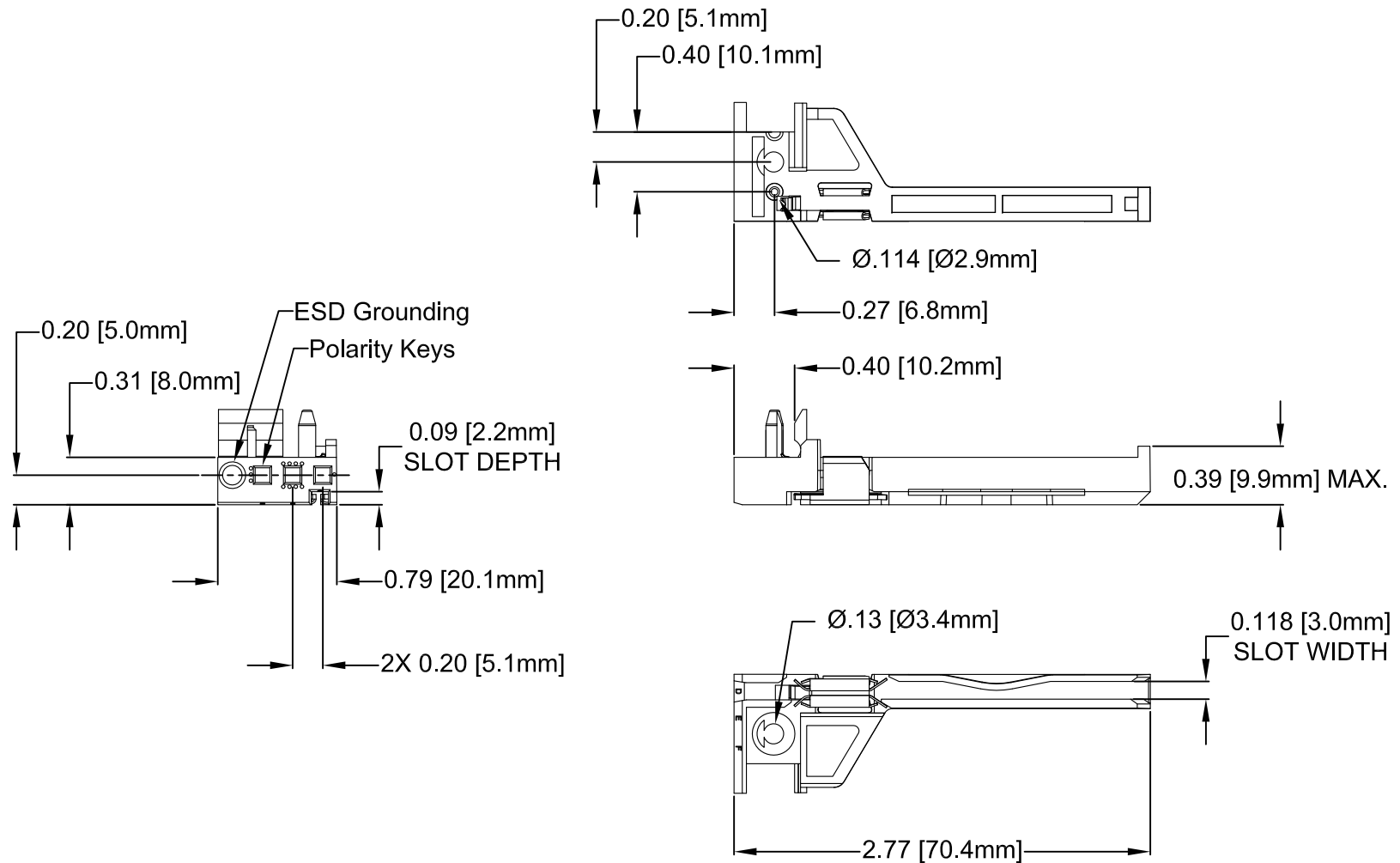


ITEM	Q'TY	PART NUMBER	PART DESCRIPTION
1	1	CPCI-TGX-T	Transition Card Guide, Top, SEE SHEET 2 TABLE 1
2	1	CPCI-ESD1	CPCI ESD Clips, PCB Grounding, SEE SHEET 2

REV.	DESCRIPTION	DATE	APPROVED
A	Engineering Release.	08/21/14	J. C.



2. MATERIAL: POLYCARBONATE, 20% GLASS FILLED

1. GENERAL SPECIFICATIONS: BIVAR MOLDED COMPONENT SPECIFICATION BV00-E101.

STANDARD TOLERANCE (UNLESS OTHERWISE SPECIFIED)		BIVAR®	
DECIMALS	ANGULAR	4 THOMAS, IRVINE, CA. 92618	
.X ±.1	X° ± 1°	TEL: (949) 951-8808 FAX: (949) 951-3974	
.XX ±.01		TITLE: TRANSITION CARD GUIDE WITH ESD CLIP, TOP	
.XXX ±.005		PART NO: CPCI-TGX-T-ESD1	
DESIGNED: Alex Wright	DATE: 08/21/14	CAGE CODE: 32559	REVISION: A
CHECKED: Brian Oliver	DATE: 08/21/14	SHEET # 1 OF 2	
CAD GENERATED DOCUMENT, DO NOT MEASURE DRAWING.			

REV.	DESCRIPTION	DATE	APPROVED
	SEE SHEET #1		

CPCI-ESD1
PCB EDGE GROUNDING

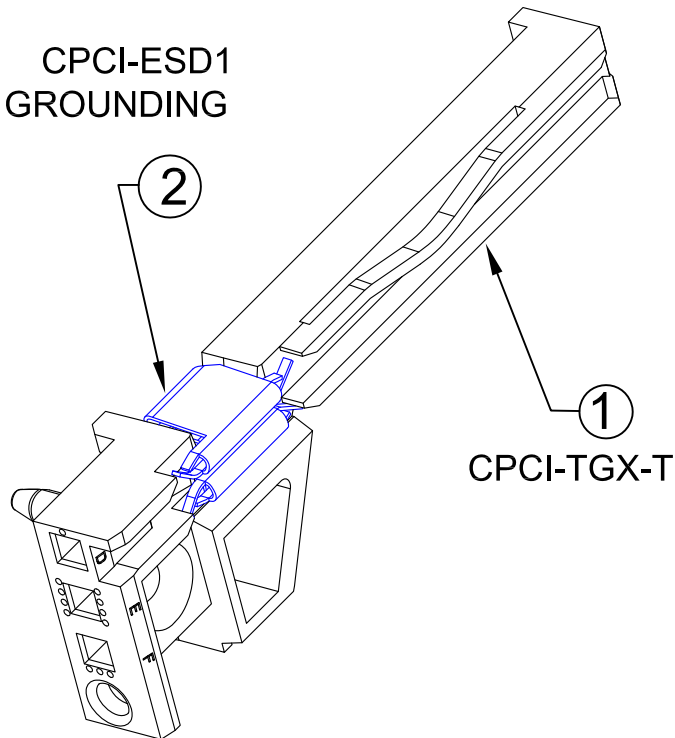

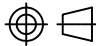


TABLE 1
ASSEMBLY CONFIGURATIONS

ASSEMBLY PART NUMBERS	COLOR
CPCI-TG-T-ESD1	GREY
CPCI-TGY-T-ESD1	YELLOW

NOTE: ESD CLIP COMES PRE-ASSEMBLED

STANDARD TOLERANCE (UNLESS OTHERWISE SPECIFIED)		 4 THOMAS, IRVINE, CA. 92618 TEL: (949) 951-8808 FAX: (949) 951-3974		
DECIMALS	ANGULAR			
.X ±.1	X° ± 1°		TITLE: TRANSITION CARD GUIDE WITH ESD CLIPS, TOP	
.XX ±.01			PART NO: CPCI-TGX-T-ESD1	REVISION: A
.XXX ±.005			CAGE CODE : 32559	SHEET # 1 OF 2
DESIGNED: Alex Wright	DATE: 08/21/14	CAD GENERATED DOCUMENT, DO NOT MEASURE DRAWING.		
CHECKED: Brian Oliver	DATE: 08/21/14			