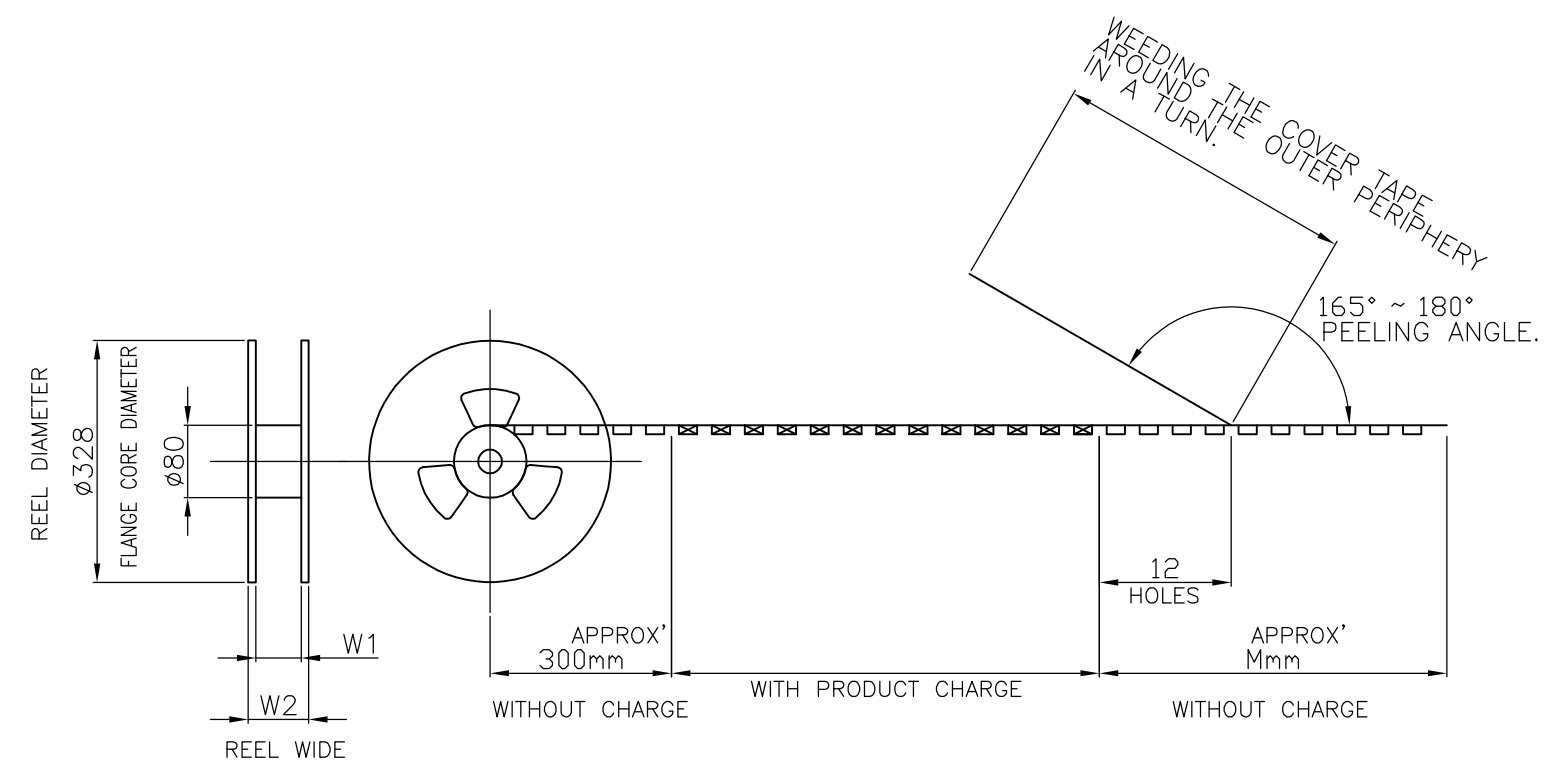
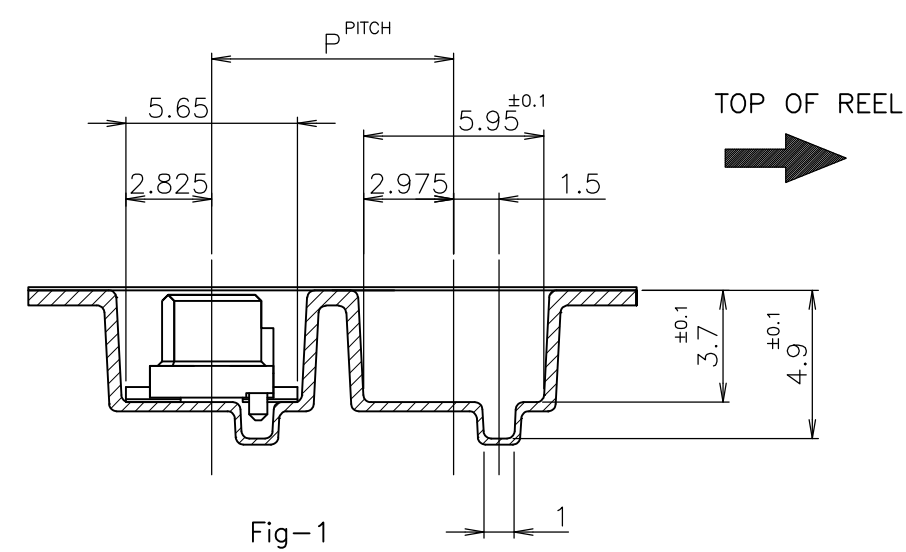
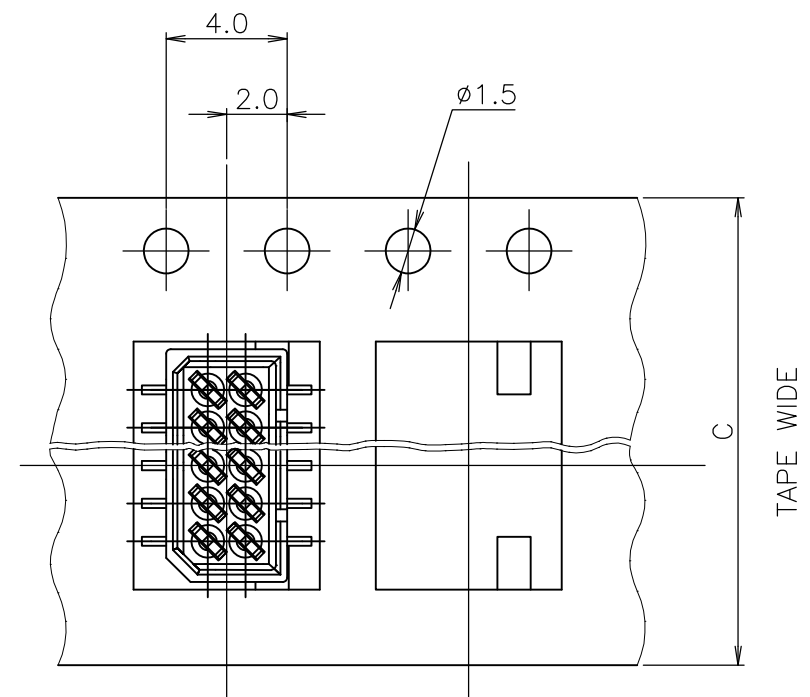


THIS DRAWING IS UNPUBLISHED. RELEASED FOR PUBLICATION
 © COPYRIGHT By - ALL RIGHTS RESERVED.

REVISIONS					
P	LTR	DESCRIPTION	DATE	DWN	APVD
J		REVISED PER ECR-16-013051	14SEP2016	WL	SY



NOTES;
 ▲ PACKING SPEC : 107-5123-1

								20	2-	4	5-	0	5-	0
								18	2-	3	4-	8	4-	8
29	26	600	12	24	1000	16		9	4-	6	4-	6		
						14	2-	2	4-	4	4-	4		
						12		8	4-	2	4-	2		
						10	1-720999-1		4-	0	4-	0		
21	18	300	8	16	1500	6	1-912050-3		3-174639-6		3-175638-6			
W ₂	W ₁	M	P	C	QTY/REEL	Pos.	EMBOSS TAPE P/N		CONNECTOR P/N		TAPING P/N			

THIS DRAWING IS A CONTROLLED DOCUMENT.		DWN J.TANIGAWA 28MAY88	TE Connectivity			
DIMENSIONS: mm		CHK S.KIKUCHI 30MAY88				
TOLERANCES UNLESS OTHERWISE SPECIFIED:		APVD N.ONOUE 30MAY88	NAME			
0-PLC ± 1-PLC ± 2-PLC ± 3-PLC ± 4-PLC ± ANGLES ± FINISH ±		PRODUCT SPEC	ON TAPING 1.25 F-P CONNECTOR DOUBLE ROW REC HDR ASS'Y (V) SMT TYPE WITH BOSS			
MATERIAL		APPLICATION SPEC	SIZE	CAGE CODE	DRAWING NO	RESTRICTED TO
WITHOUT POLYAMIDE TAPE		WEIGHT 0.000000	A3	00779	C-175638	-
CUSTOMER DRAWING			SCALE 4:1	SHEET 1 OF 2	REV J	

THIS DRAWING IS UNPUBLISHED. RELEASED FOR PUBLICATION
 © COPYRIGHT By - ALL RIGHTS RESERVED.

REVISIONS					
P	LTR	DESCRIPTION	DATE	DWN	APVD
-	-	SEE SHEET 1	-	-	-

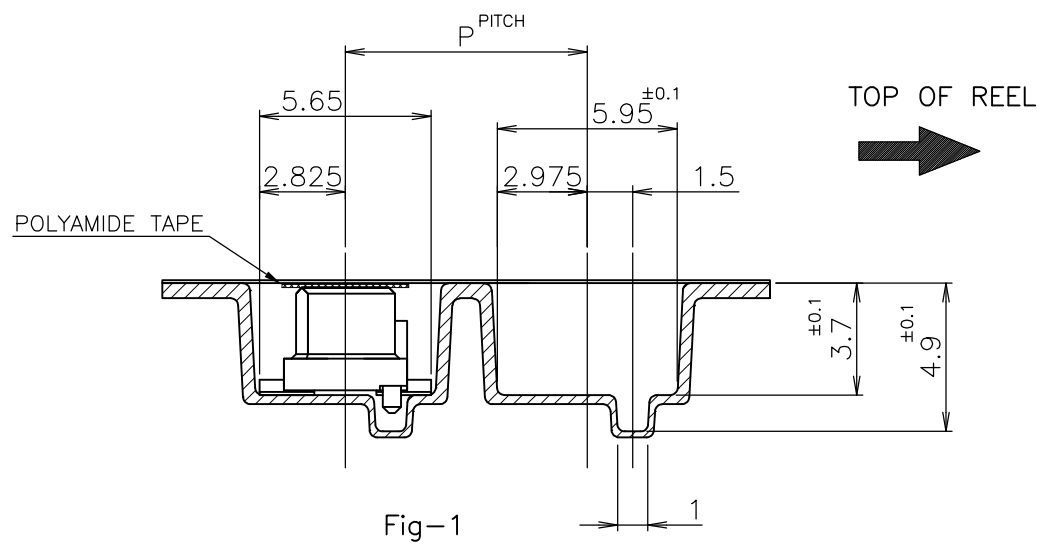
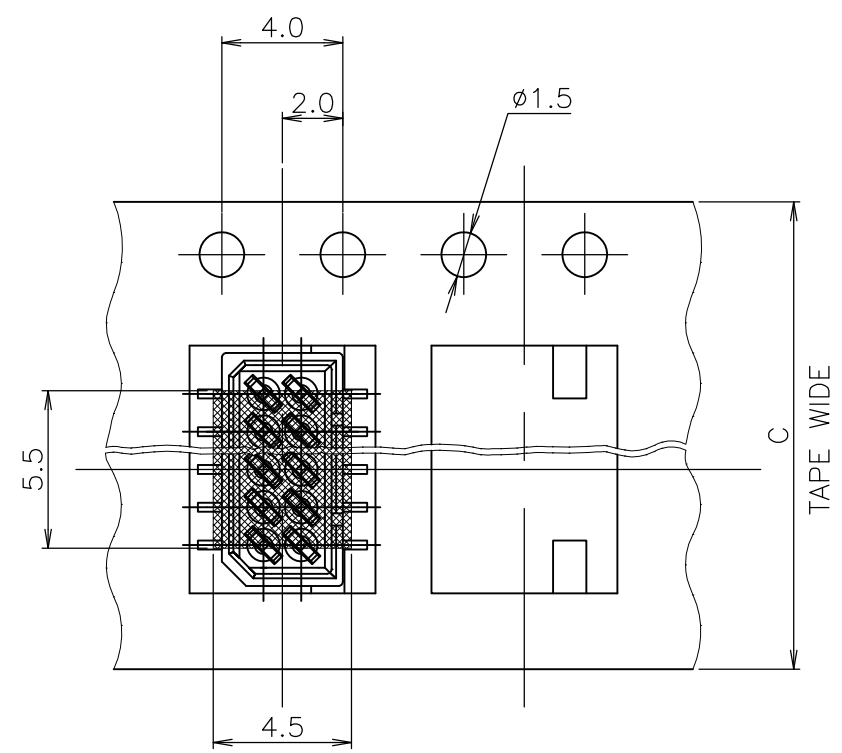
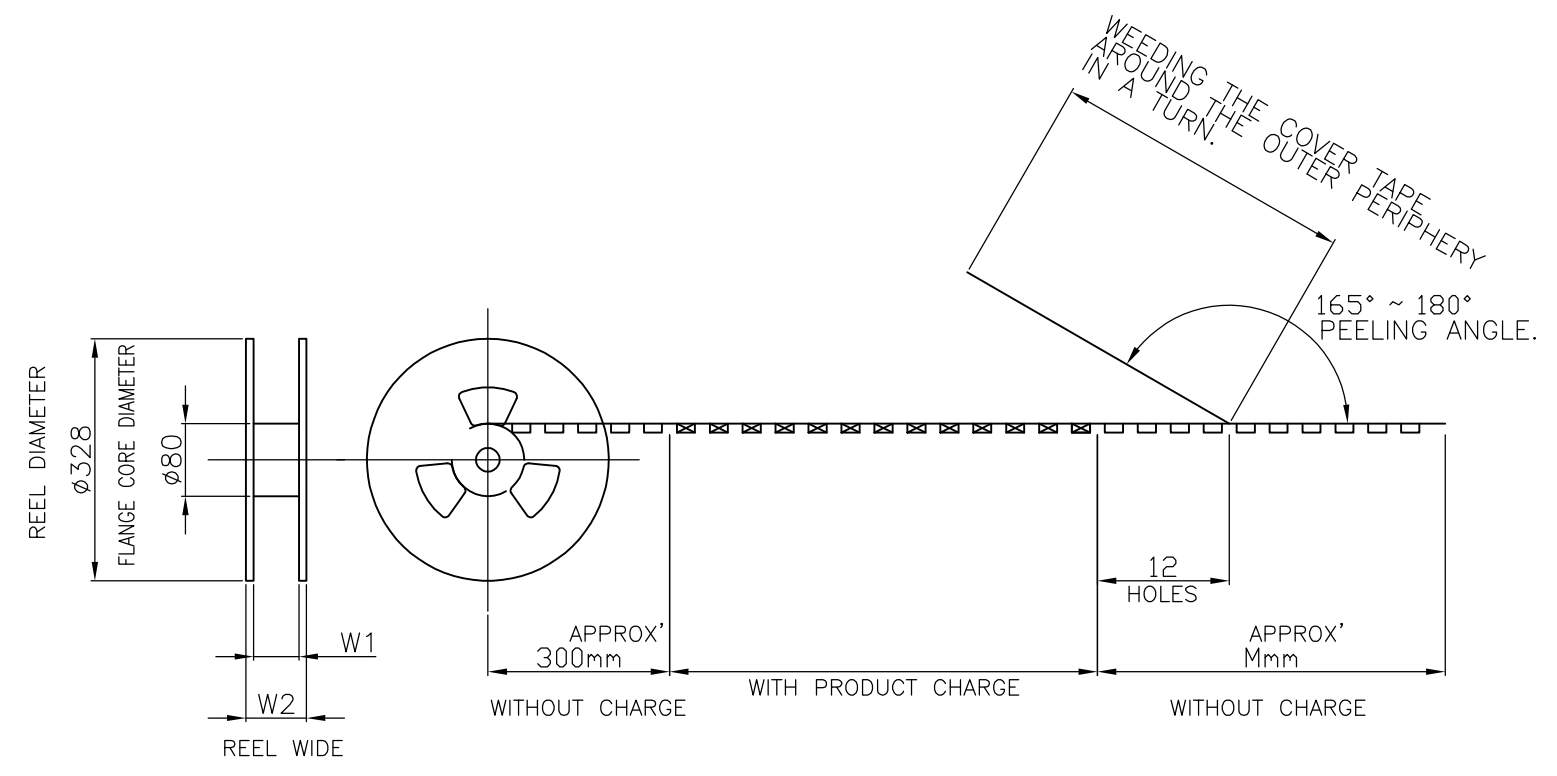


Fig-1

WITH POLYAMIDE TAPE



NOTES;
 ▲ PACKING SPEC : 107-5123-1

↑	↑	↑	↑	↑	↑	20	2-	↑	-4	5-	↑	-0	7-	↑	-0
						18	2-		-3	4-		-8	6-		-8
29	26	600	12	24	1000	16			-9	4-		-6	6-		-6
↑	↑	↑	↑	↑	↑	14	2-		-2	4-		-4	6-		-4
						12			-8	4-		-2	6-		-2
						10	1-720999-1		4-			-0	6-		-0
21	18	300	8	16	1500	6	1-912050-3		3-174639-6			5-175638-6			
W ₂	W ₁	M	P	C	QTY/REEL	Pos.	EMBOSS TAPE P/N		CONNECTOR P/N			TAPING P/N			

THIS DRAWING IS A CONTROLLED DOCUMENT.		DWN J.TANIGAWA 28MAY88	TE Connectivity			
DIMENSIONS: mm		CHK S.KIKUCHI 30MAY88				
TOLERANCES UNLESS OTHERWISE SPECIFIED:		APVD N.ONOUE 30MAY88	NAME			
0-PLC ± 1-PLC ± 2-PLC ± 3-PLC ± 4-PLC ± ANGLES ± FINISH		PRODUCT SPEC	ON TAPING 1.25 F-P CONNECTOR DOUBLE ROW REC HDR ASS'Y (V) SMT TYPE WITH BOSS			
MATERIAL		APPLICATION SPEC	SIZE	CAGE CODE	DRAWING NO	RESTRICTED TO
		WEIGHT 0.000000	A3	00779	C-175638	-
		CUSTOMER DRAWING	SCALE 4:1	SHEET 2 OF 2	REV J	