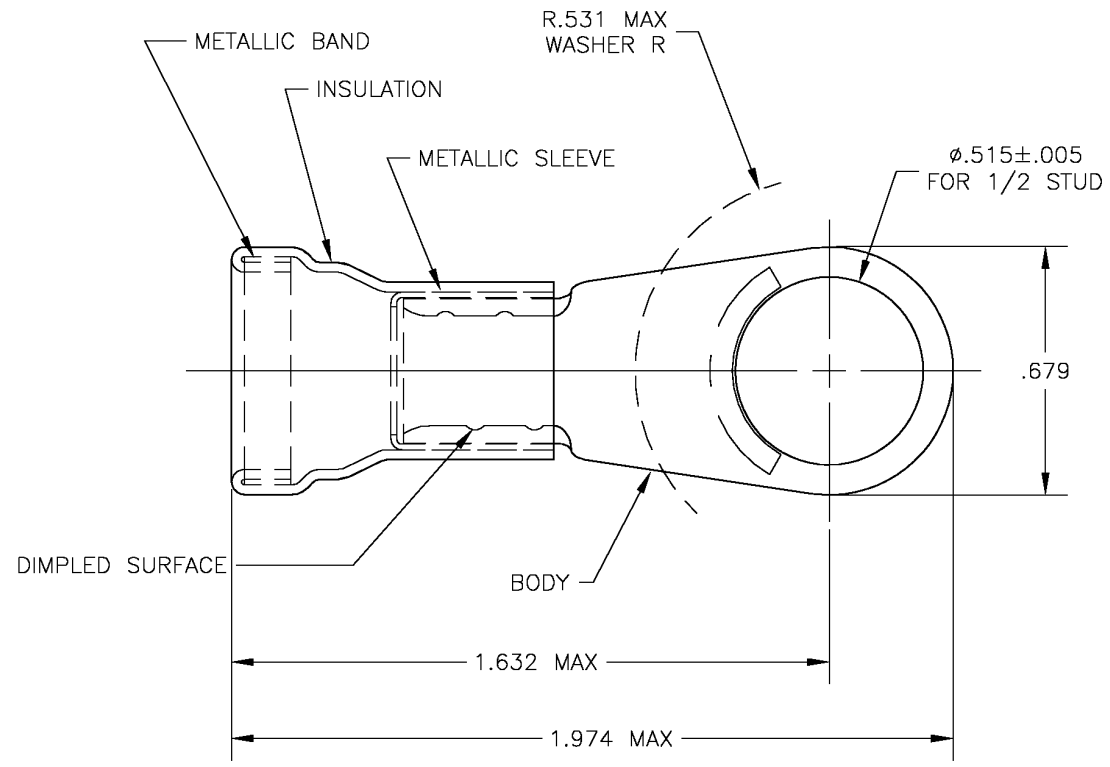


THIS DRAWING IS UNPUBLISHED. RELEASED FOR PUBLICATION
 © COPYRIGHT BY TYCO ELECTRONICS CORPORATION. ALL RIGHTS RESERVED.

LOC	DIST	REVISIONS					
G	14	P	LTR	DESCRIPTION	DATE	DWN	APVD
		C		REDRAWN PER 0G3A-0589-03	030CT03	JR	MS



- 1 TONGUE MATERIAL THK IS .048±.003
- 2 FOR .436 MAX WIRE INSULATION DIA.
- 3 WIRE SIZE: 4

1	BODY: COPPER PER ASTM B152 TIN PLATE PER ASTM B545 INSULATION: PVC, COLOR YELLOW METALLIC SLEEVE: COPPER ASTM B152 METALLIC BAND: STEEL MIL-S-4174	328221-0
QTY	MATERIAL & FINISH	PART NO.

THIS DRAWING IS A CONTROLLED DOCUMENT.		DWN	020CT03	tyco Electronics	Tyco Electronics Corporation Harrisburg, PA 17105		
DIMENSIONS: INCHES		CHK	030CT03		NAME		
TOLERANCES UNLESS OTHERWISE SPECIFIED:		M.J. SPICER		PRODUCT SPEC			
0 PLC ± -		APVD		APPLICATION SPEC			
1 PLC ± -		M.J. SPICER		WIRE TERMINAL			
2 PLC ± -		PRODUCT SPEC		AMPLI-BOND, RING TONGUE			
3 PLC ± .008		APPLICATION SPEC		WIRE SIZE: 4			
4 PLC ± -		WEIGHT		SIZE	CAGE CODE	DRAWING NO	RESTRICTED TO
ANGLES ± 5'		SEE TABLE		A3	00779	328221	-
MATERIAL		FINISH		CUSTOMER DRAWING			SCALE
SEE TABLE		SEE TABLE					3:1
				SHEET			1 OF 1
				REV			C