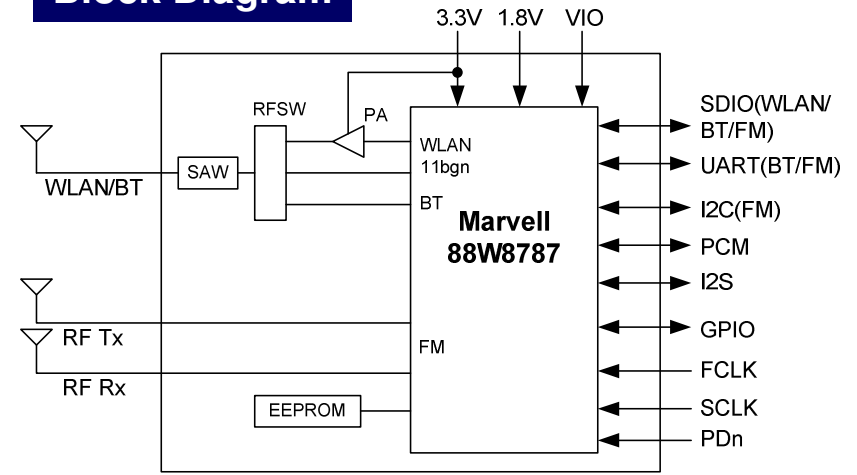


## Key Features

## 802.11b/g/n, Bluetooth & FM Radio

- IEEE802.11b/g/n standard conformity, BT3.0, 2.1+EDR
- FM Transmitter / Receiver (US, Europe)
- Low standby current (with advanced power save and sleep mode)
- Transmit speed : 11/5.5/2/1 Mbps(11b), 54/48/36/24/18/12/9/6 Mbps(11g), 150~6.5 Mbps (11n)
- Channel Number : 1 to 13 channel (11bg), 79 channel (BT)
- Interface : SDIO, I2C, PCM, I2S
- Built-in EEPROM, 2G-PA, SAW for cellular phone
- Multi Clock support: 26, 38.4 MHz
- Security: WEP (64/128), TKIP, AES, WPA/WPA2, WAPI
- Small Outline: 8.5 x 8.0 x 1.2(Max) mm, Metal case package
- Utilizes 88W8787 IC
- RoHS Conformity

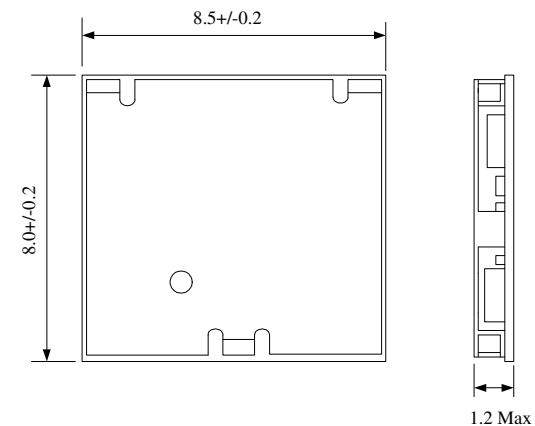
## Block Diagram



## General Electrical Specification

Parameter	Description	Min.	Typ.	Max.	Units
Operation Voltage	Core_3.3V	3.0	3.3	4.3	V
	Core_1.8V	1.71	1.8	1.89	V
	VIO	1.62 / 2.97	1.8 / 3.3	1.98 / 3.63	V
TX Output Power (11b/g/n) (BT BR)	11b/11g/11n BT		15 / 13 / 12 5		dBm
RX Sensitivity (11b/g/n) (BT BR)	11b/11g/11n BT		-86 / -72 / -66 -86	-76 / -65 / -61 -70	dBm
TX Power Consumption	11b/11M (Duty43.4%)		405		mW
RX Power Consumption	11n/MCS7-HT40		255		mW
Power Consumption	Deep Sleep Mode VIO3.3V/VIO1.8V		3 / 0.83		mW
FM Rx sensitivity			-112	-106	dBm
	FM TX transmitter		-10		dBm
General Operation Temperature Range		-20	25	70	deg-C

## Outline



Unit: mm

Note: The *Bluetooth*® word mark and logos are owned by the *Bluetooth* SIG, Inc. and any use of such marks by TAIYO YUDEN CO.,LTD. is under license.

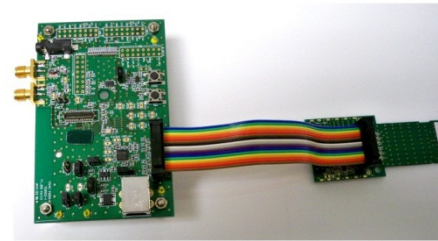
## To Evaluate WLAN Module WYSBMVGX8, You Will Need WKSXXVXXX-1 and WBSBMVGX8

**WKSXXVXXX-1** is the Wireless Interface Board to be connected with RF Daughter Card **WBSBMVGX8**.

**WBSBMVGX8** is the RF Daughter Card that includes WLAN Module **WYSBMVGX8**. You will need these 2 items to evaluate WLAN module **WYSBMVGX8**.

No	Item	Description	Qty
1	WKSXXVXXX-1	Wireless Interface Board (WIB) with SDIO interface (and connector to RF Daughter Card)	1
		Evaluation Software CD	1
2	WBSBMVGX8	RF Daughter Card includes WLAN Module WYSBMVGX8 (and connector to Wireless Interface Board)	1

1 WKSXXVXXX-1 includes Software CD



2 WBSBMVGX8

