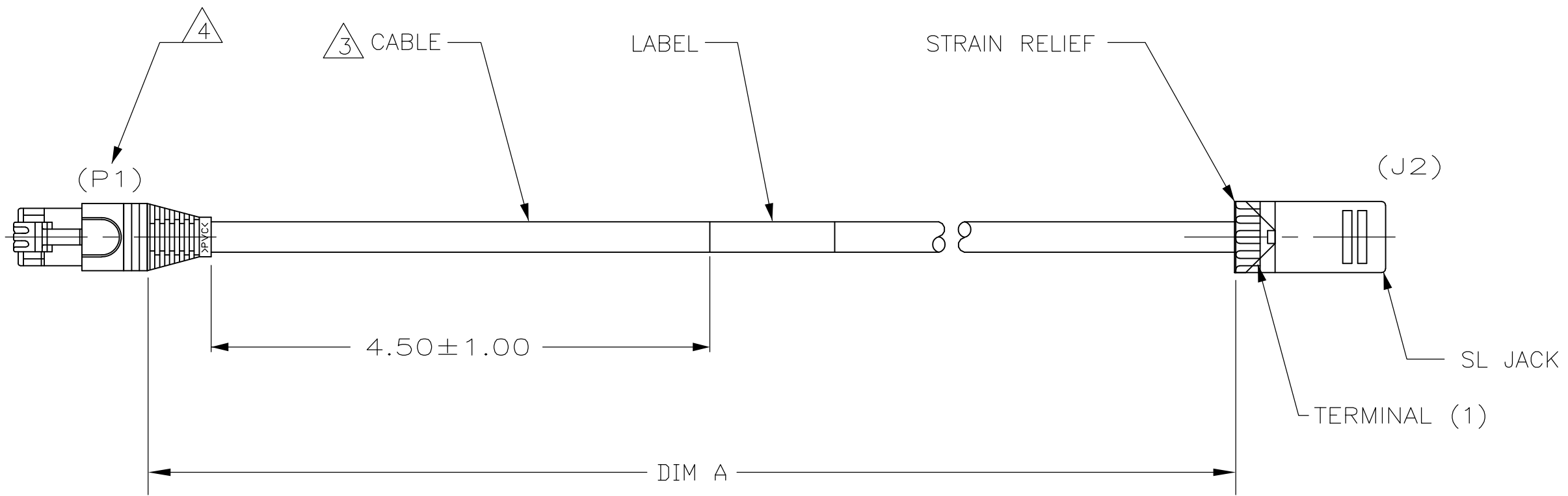
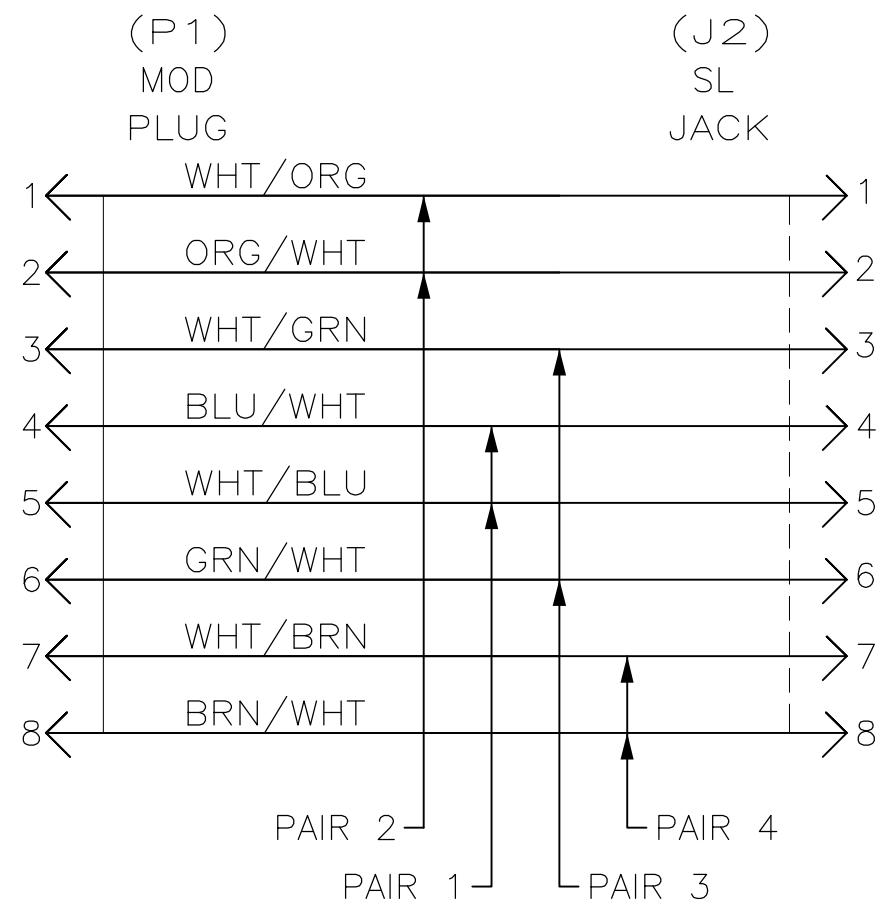


THIS DRAWING IS UNPUBLISHED. RELEASED FOR PUBLICATION
 © COPYRIGHT BY TYCO ELECTRONICS CORPORATION. ALL RIGHTS RESERVED.

LOC	DIST	REVISIONS					
		P	LTR	DESCRIPTION	DATE	DWN	APVD
EH	00		F	REV-ECO-06-019788	20SEP06	GG	CC
			H	REV ECO-07-022327	04OCT07	LH	JG
			J	REV ECO-07-030359	21DEC07	GG	JG



- ONE CABLE PACKAGED IN A CLEAR POLY BAG.
- DIMENSIONS ARE MAXIMUM UNLESS OTHERWISE SPECIFIED.
- CABLE: UNSHIELDED 23 AWG, 4 TWISTED PAIRS, SOLID CONDUCTORS, 100 OHMS, CAT 6 PLENUM RATED.
- DESIGNATIONS IN PARENTHESES () ARE FOR REFERENCE ONLY.
- FOR LENGTHS LESS THAN 40 FEET TIA/EIA 568-B.2 CHANNEL LIMITS SHALL BE USED FOR TESTING SYSTEM PERFORMANCE.



WIRING DIAGRAM
T568B

OBSELETE	75	900.00-904.00	219599-7
	10	120.00-124.00	219599-5
	50	600.00-604.00	219599-4
	40	480.00-484.00	219599-3
	30	360.00-364.00	219599-2
	20	240.00-244.00	219599-1
	FEET, REF	DIM A	PART NO

THIS DRAWING IS A CONTROLLED DOCUMENT.		DWN L. HALL 01FEB2002	Tyco Electronics Corporation Harrisburg, Pa., 17105-3608	
DIMENSIONS: INCHES		CHK M. DELPHIAS 01FEB02	NAME CABLE ASSY, MOD PLUG/SL JACK, GRAY, 568B	
TOLERANCES UNLESS OTHERWISE SPECIFIED:		APVD M. DELPHIAS 01FEB02	PRODUCT SPEC	
0 PLC ±		APPLICATION SPEC		
1 PLC ± -		SIZE A2		
2 PLC ± -		CAGE CODE 00779		
3 PLC ± -		DRAWING NO C=219599		
4 PLC ± -		RESTRICTED TO		
ANGLES ±		SCALE NTS		
FINISH		SHEET 1 OF 1		
MATERIAL		REV J		
CUSTOMER DRAWING				

219599