

4

3

2

1

THIS DRAWING IS UNPUBLISHED.

RELEASED FOR PUBLICATION

NOV ,2005.

© COPYRIGHT 2005 BY TYCO ELECTRONICS CORPORATION. ALL RIGHTS RESERVED.

LOC

DIST

REVISIONS

E

B

P

LTR

DESCRIPTION

DATE

DWN

APVD

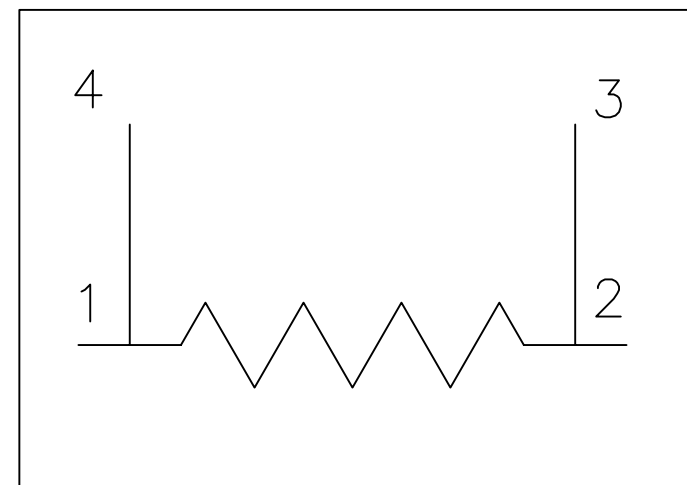
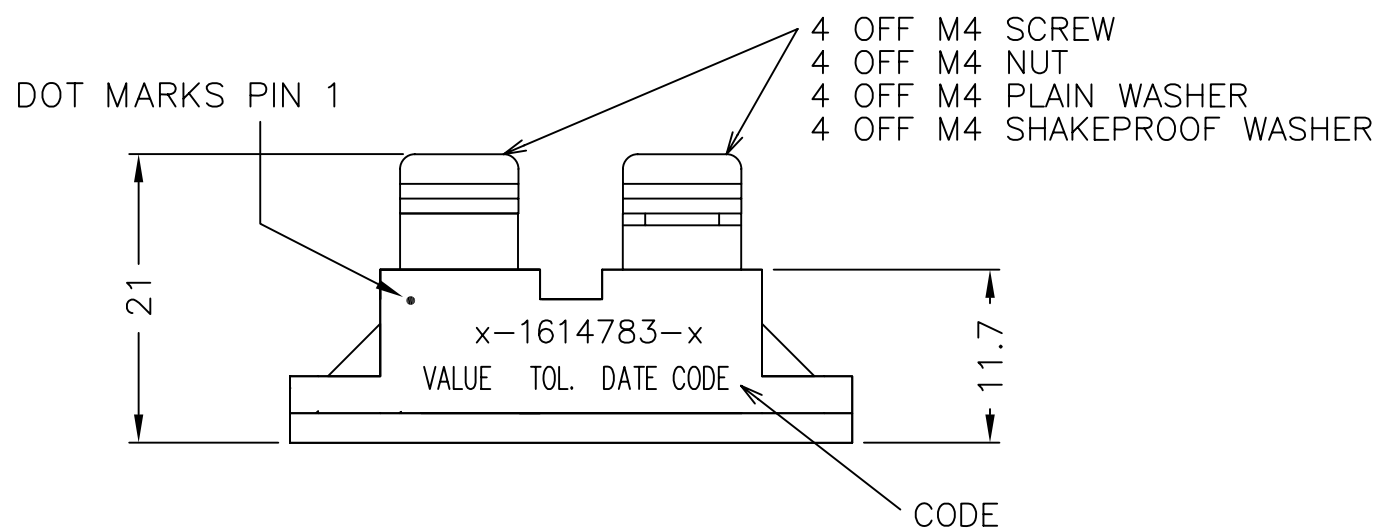
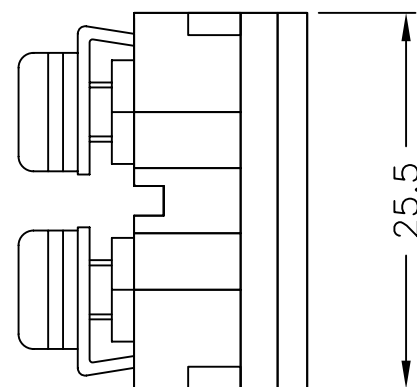
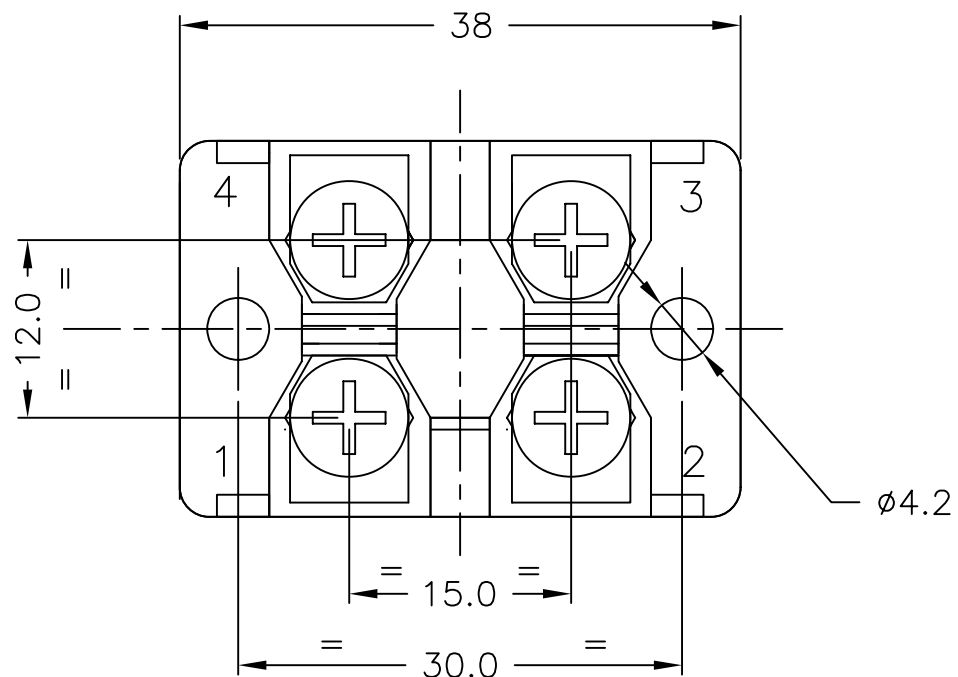
C

ECR-07-009611

20APR07

RB

JC



RoHS Compliant

THIS DRAWING IS A CONTROLLED DOCUMENT.

DWN DAVE KENNEDY 04NOV05

CHK J CATCHPOLE 04NOV05

APVD J CATCHPOLE 04NOV05

PRODUCT SPEC

APPLICATION SPEC

WEIGHT

CUSTOMER DRAWING



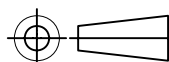
Tyco Electronics Corporation  
Dorcan, Swindon, SN3 5HH

NAME  
100W POWER RESISTOR BDS-4-B-100

SIZE	CAGE CODE	DRAWING NO	RESTRICTED TO
A3	00779	C-1614783	-

SCALE	SHEET	OF	REV
NTS	1	1	C

DIMENSIONS: MM



TOLERANCES UNLESS OTHERWISE SPECIFIED:

- 0 PLC ± -
- 1 PLC ± -
- 2 PLC ± -
- 3 PLC ± -
- 4 PLC ± -
- ANGLES ± -
- FINISH -

FOR A SPECIFIC PN FOR A RESISTANCE VALUE AND TOLERANCE, PLEASE REFER TO DMF.