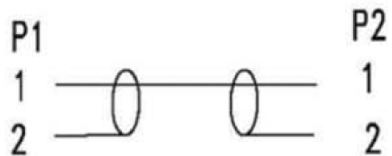


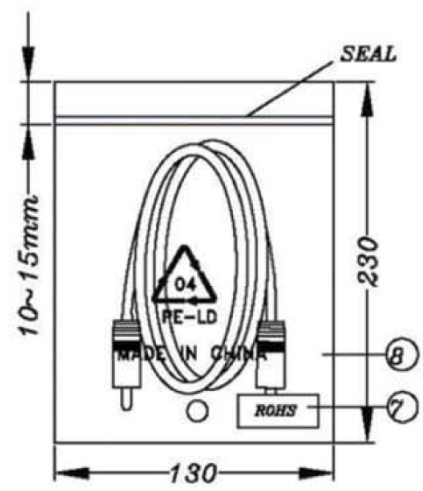
PIN ASSIGNMENT



Electrical

- 100% short, open miswire test
- Conduct resistance: 2Ω (max)
- Insulation resistance: 5Ω (min)
- Dielectric test: DC 300V

No.	Name	Q'ty	Specification
①	Cable	1	B.C 22AWG(30/0.12)+AL/MY+16/7/0.12 OD6.0MM Jacket PVC 85% Color Black
②	Conn	2	RCA Plug Gold Plating
③	Shell	2	RCA Plug Shell
④	Screw	2	RCA Plug Screw
⑤	Outer Model	10g	Outer Model PVC 45P Color Black
⑥	Solder	0.1g	Round Tin OD1.0MM.
⑦	RoHS Label	1	RoHS label L35*W22MM White/Dottom Text/Black
⑧	PE Bag	1	Clear Size: 130*230*0.04MM Print Black"Made in China"
	PE Bag	1	Clear Size: 280*330*0.04MM Print Black"Made in China"
	Tube	2	Heat Shrink Tube OD1.0MM Black
	Waterproof Bag		Waterproof Bag 900*600*0.05MM (900MM Open)
	Carton		Carton 49.5*33*15CM K=K Glue Type



ITEM NO
AK-AV503
 TITLE High Quality Stereo Connection Cable, 5.0M,
 Cinch Male to Cinch Male

ASSMANN
 Electronics, Inc.

1840 W. Drake Drive, Suite 101 - Tempe, AZ 85283
 Toll Free: 1-877-277-6266 Email: info@usa-assmann.com

THIS DRAWING IS UNPUBLISHED
 © Copyright 2009 by Assmann Electronic Components
 All International Rights Reserved