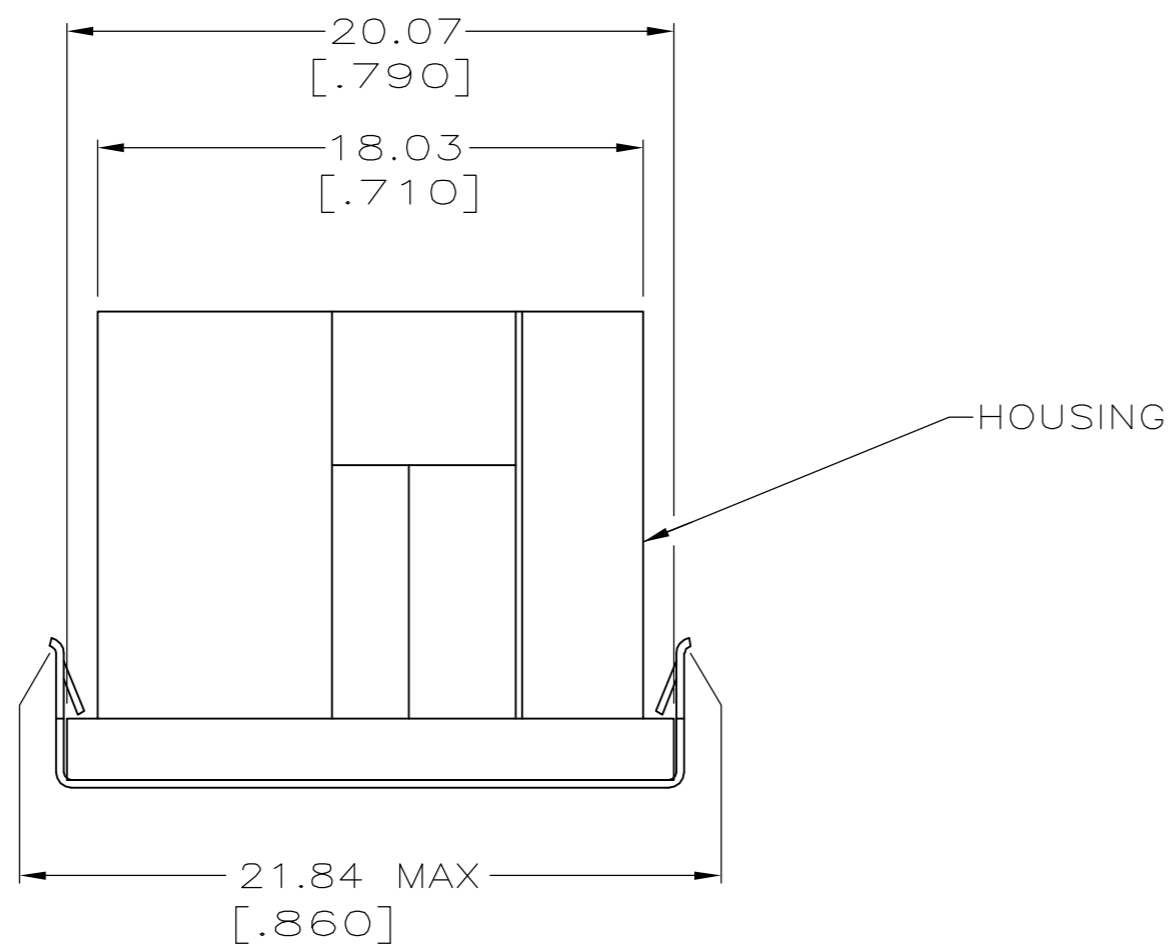
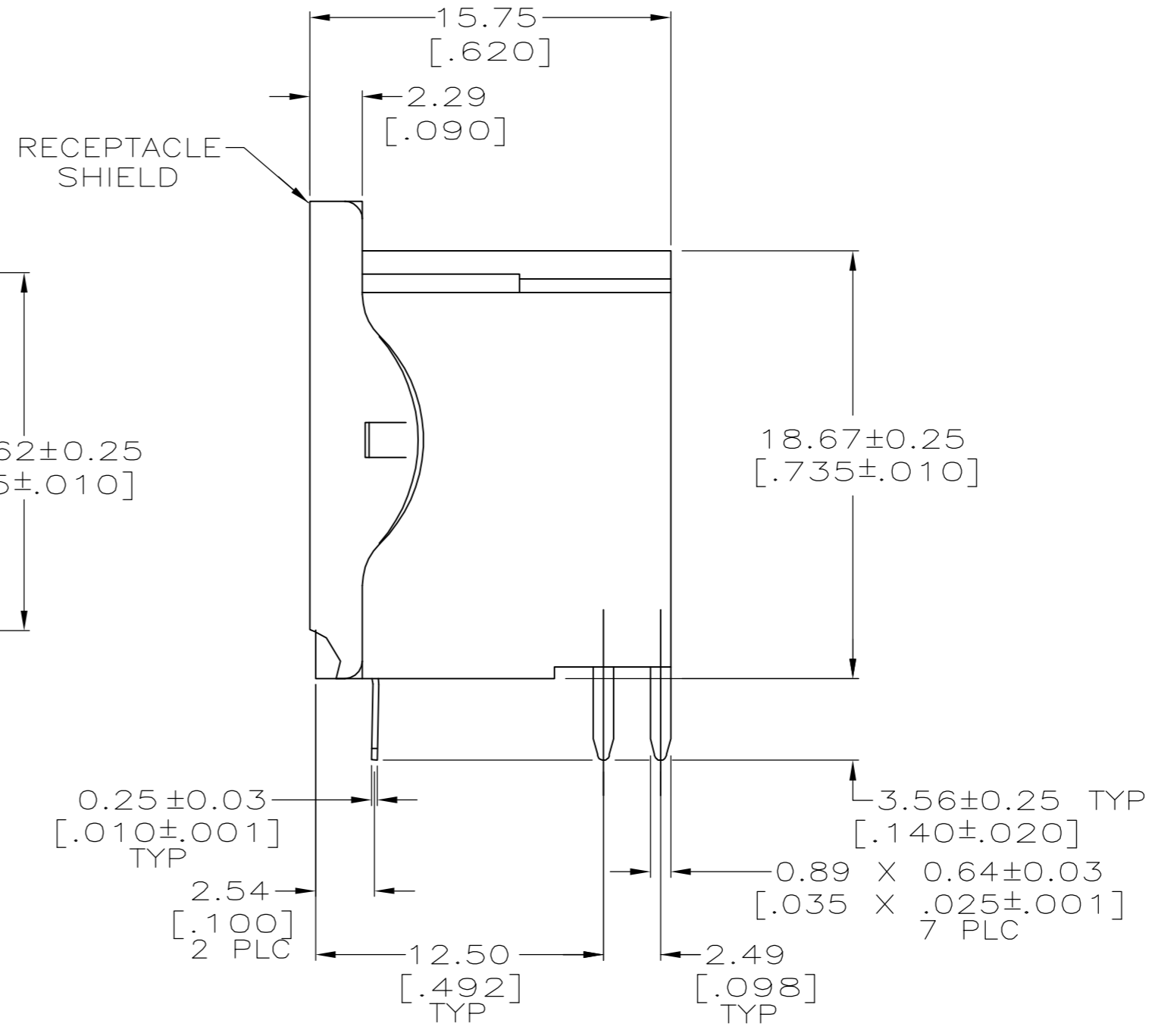
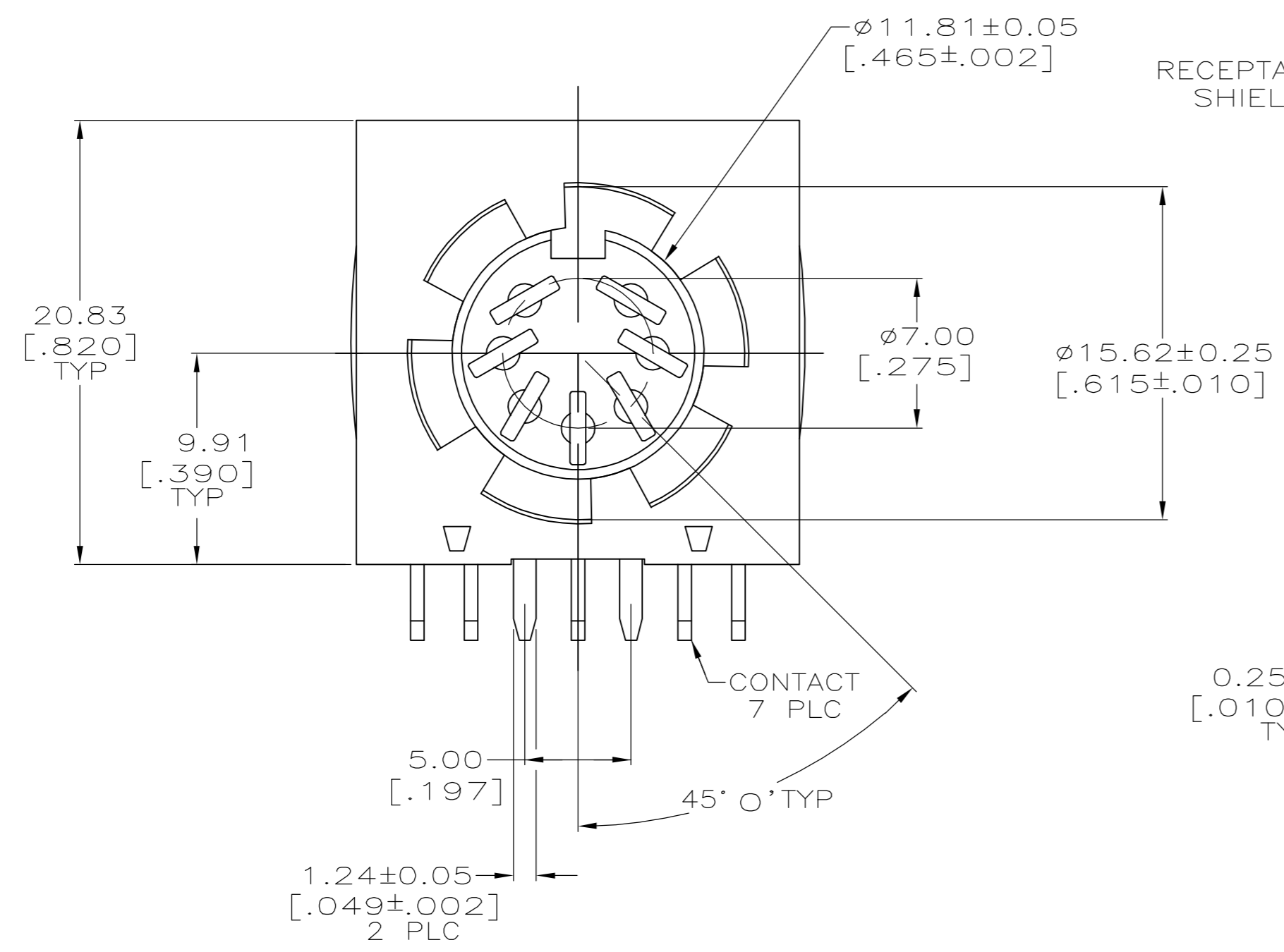


THIS DRAWING IS UNPUBLISHED. RELEASED FOR PUBLICATION
 © COPYRIGHT BY TYCO ELECTRONICS CORPORATION. ALL RIGHTS RESERVED.

LOC	DIST	REVISIONS			
P	LTR	DESCRIPTION	DATE	DWN	APVD
GP	00				
	01	REVISED PER ECO-07-008008	10APR07	JDP	CWR



- ① HOUSING: NYLON, UL 94V-0 RATED, BLACK.
- ② CONTACTS & RECEPTACLE SHIELD: 2.54μm [.000100] MIN TIN OVER 1.27μm [.000050] MIN NICKEL.
- ③ CONTACTS & RECEPTACLE SHIELD: BRASS.



5212046-1
 PART NUMBER

THIS DRAWING IS A CONTROLLED DOCUMENT.		DWN L. VARELA - DOCK5 11-12-04	Tyco Electronics Corporation Harrisburg, PA 17105-3608	
DIMENSIONS: mm [INCHES]		CHK C. ROHDE 11-12-04		
TOLERANCES UNLESS OTHERWISE SPECIFIED:		APVD M. WALMSLEY 11-12-04	NAME RECEPTACLE ASSY, RIGHT ANGLE, SHIELDED, 7 POSITION, CIRCULAR DIN	
0 PLC ± - 1 PLC ± - 2 PLC ± 0.13[.005] 3 PLC ± - 4 PLC ± - ANGLES ± 0° 30'		PRODUCT SPEC 108-10047	SIZE A2	CAGE CODE 00779
MATERIAL ① ③		FINISH ②	DRAWING NO 114-40025	RESTRICTED TO -
		WEIGHT -	SCALE 4:1	SHEET 1 of 1
		CUSTOMER DRAWING	REV 01	