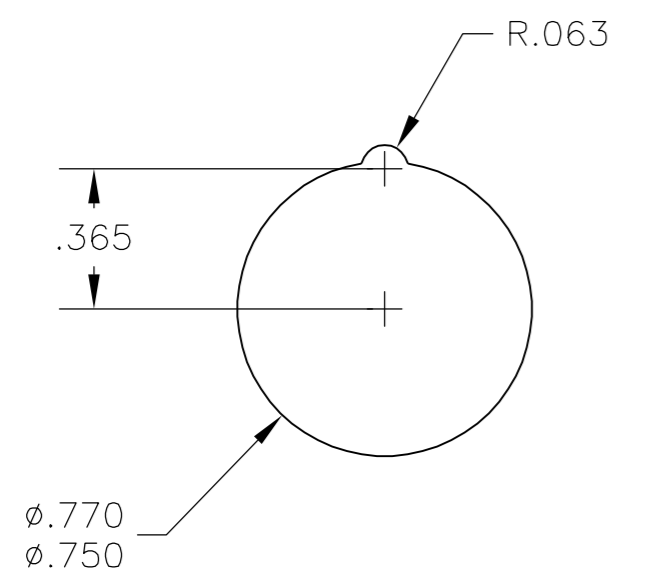
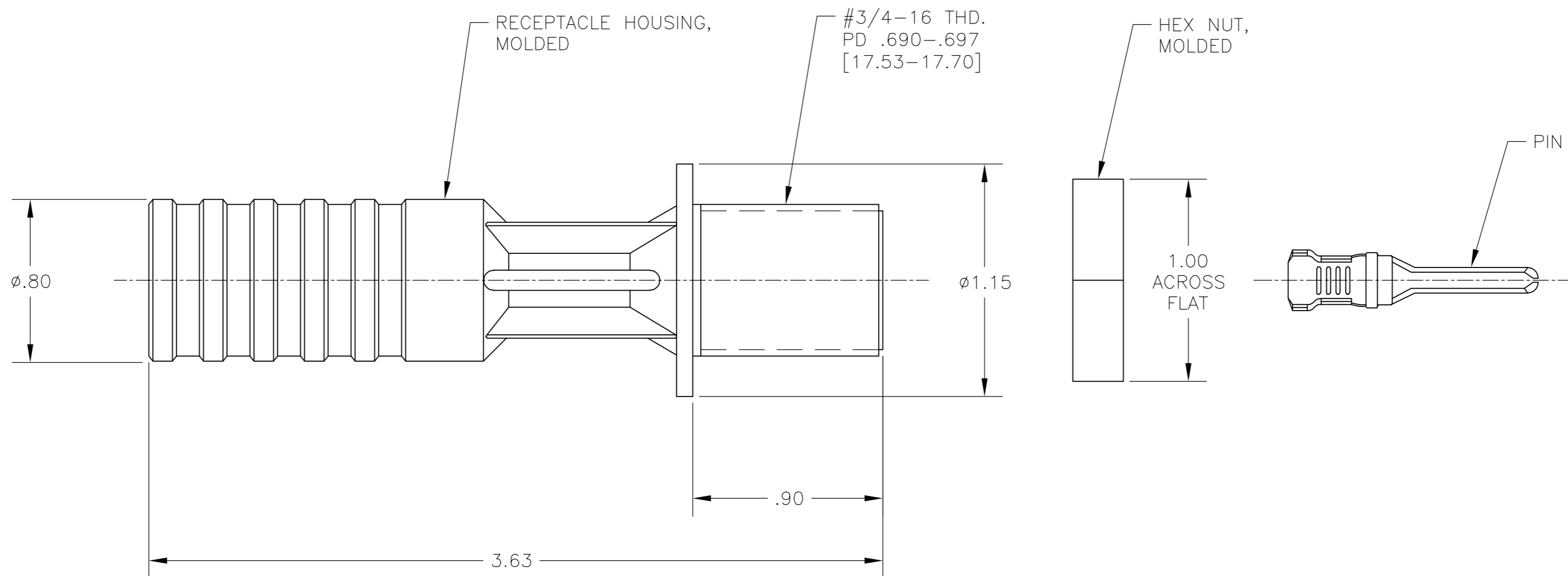


THIS DRAWING IS UNPUBLISHED. RELEASED FOR PUBLICATION
 © COPYRIGHT BY TYCO ELECTRONICS CORPORATION. ALL RIGHTS RESERVED.

LOC	DIST	REVISIONS					
DF	S5	P	LTR	DESCRIPTION	DATE	DWN	APVD
		E		REV PER 0H14-0191-05	05-05	AA	DE

1. EXTRACTION TOOL #863558-1.
2. NUT AND PIN CONTACT SUPPLIED WITH KIT UNASSEMBLED.



RECOMMENDED PANEL CUTOUT

90145-2	66261-5	16	5-863350-3
90145-1	66261-5	12-14	5-863350-2
90140-1	66259-5	10	5-863350-1
90145-2	66261-1	16	863350-3
90145-1	66261-1	12-14	863350-2
90140-1	66259-1	10	863350-1
DIE INSERT NO.'S HAND TOOL 69710-1 OR PNEUMATIC TOOL 69365	PIN NO.	WIRE SIZE RANGE (AWG)	PART NO.
THIS DRAWING IS A CONTROLLED DOCUMENT.	DWN J. KAISER 10-20-03 CHK D.EABY APVD D.EABY	Tyco Electronics Corporation Harrisburg, PA 17105-3608	
DIMENSIONS: INCHES	TOLERANCES UNLESS OTHERWISE SPECIFIED: 0 PLC ± - 1 PLC ± - 2 PLC ± .02 3 PLC ± .005 4 PLC ± - ANGLES ± - FINISH -	NAME KIT, CSL RECEPTACLE, LGH	
MATERIAL -	WEIGHT -	SIZE A2	CAGE CODE 00779
CUSTOMER DRAWING		DRAWING NO. C=863350	RESTRICTED TO -
		SCALE 2:1	SHEET 1 OF 1 REV E