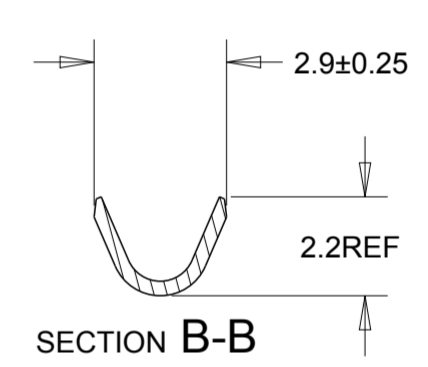
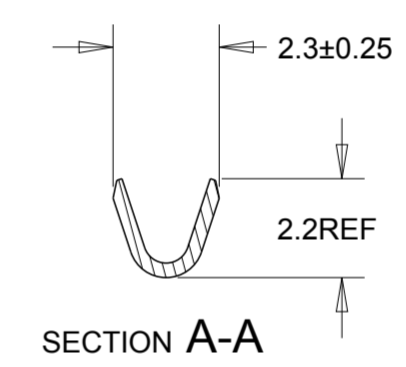
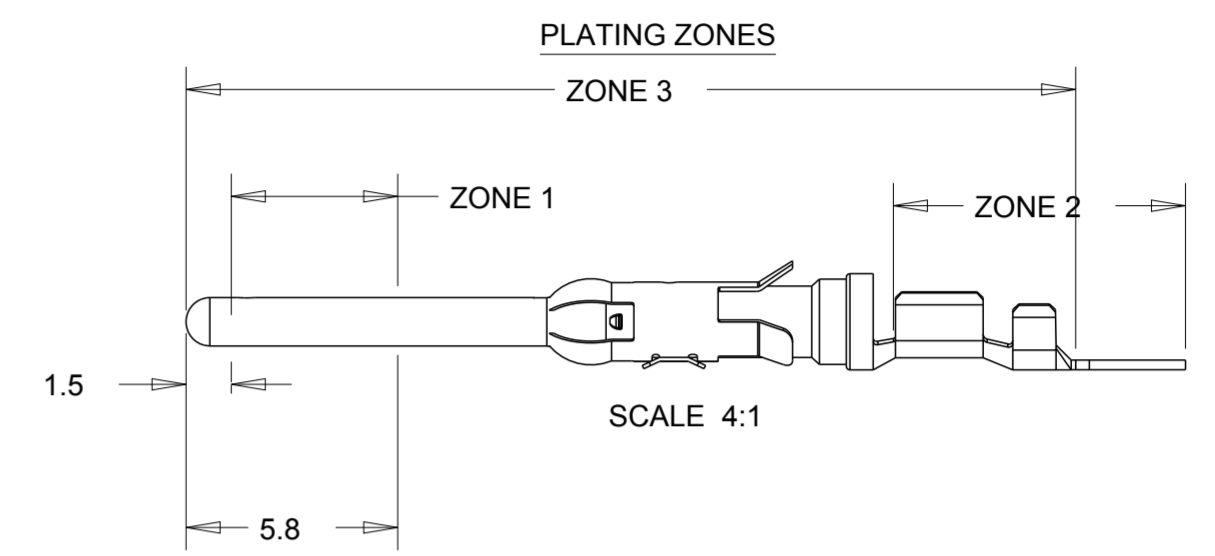
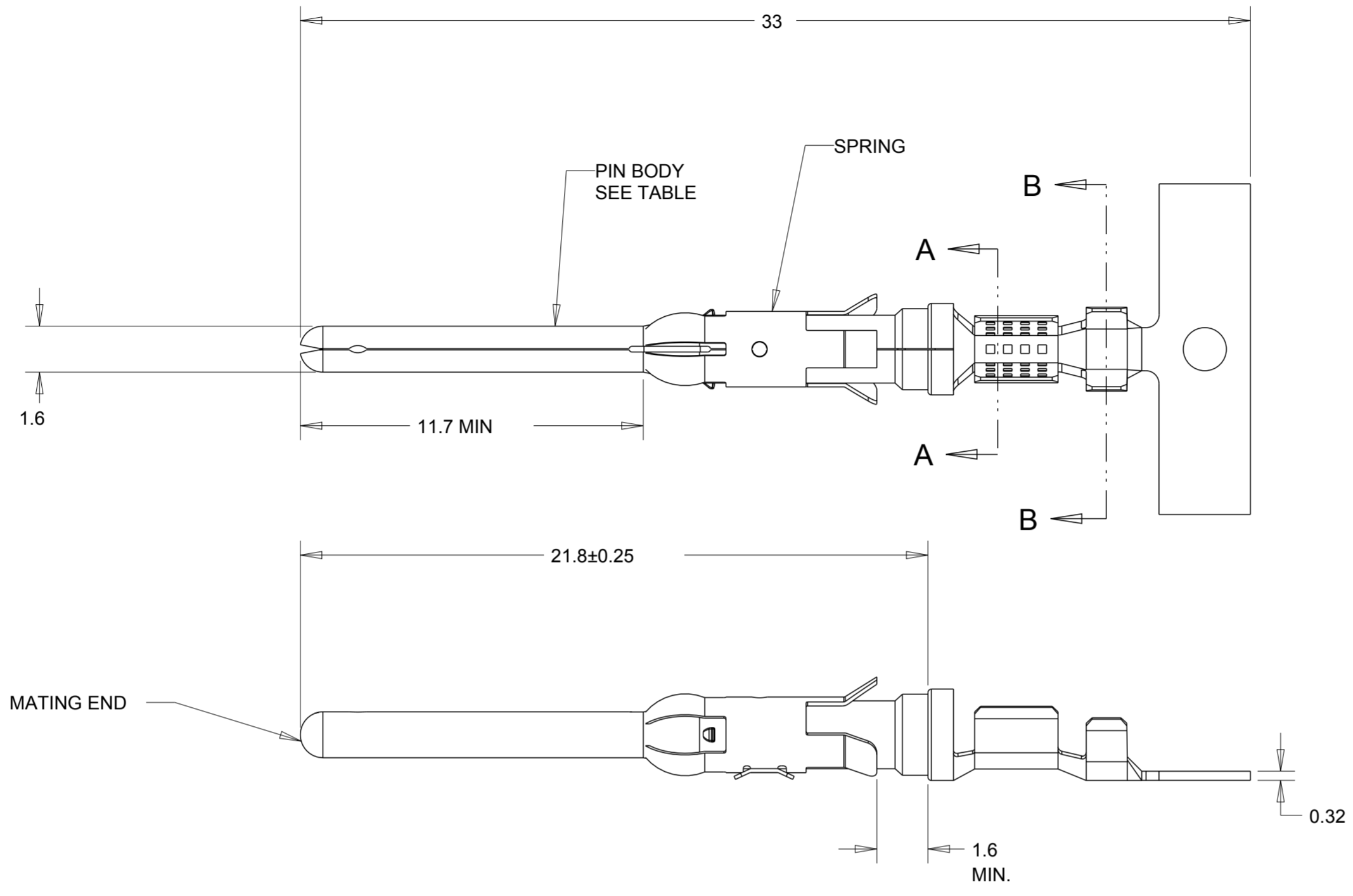


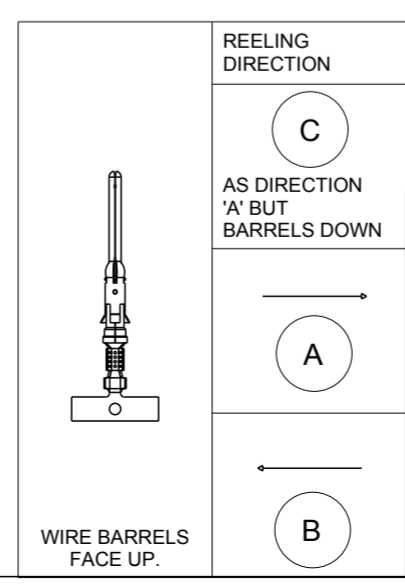
THIS DRAWING IS UNPUBLISHED. RELEASED FOR PUBLICATION 2011
 © COPYRIGHT 2011 ALL RIGHTS RESERVED.

LOC	DIST	REVISIONS				
P	LTR	DESCRIPTION	DATE	DWN	APVD	
AI	-	H	ECR-12-010700	11/06/12	MJG	DP



- 1 1.27 MICRON MIN NICKEL PLATE OVER ZONE 3.
0.76 MICRON MIN PRECIOUS METAL PLATE OVER ZONE 1.
1 MICRON MIN TIN PLATE OVER ZONE 2.
CONFORMS TO THE REQUIREMENTS OF TE CONNECTIVITY PRODUCT SPEC 108-10042
BASED ON EIA/ECA-364-1000.01A (CONTROLLED ENVIRONMENT APPLICATIONS)
- 2 1.27 MICRONS MIN NICKEL PLATE OVER ZONE 3.
0.76 MICRON MIN PRECIOUS METAL ELECTROPLATE OVER ZONE 1.
0.076 MICRON MIN GOLD FLASH PLATE OVER THE REMAINDER OF ZONE 3.
CONFORMS TO THE REQUIREMENTS OF TE CONNECTIVITY PRODUCT SPEC 108-10042
BASED ON EIA/ECA-364-1000.01A (CONTROLLED ENVIRONMENT APPLICATIONS)
- 3 1.54 - 2.54 MICRON SILVER PLATE OVER ZONE 3.
- 4 1.27 MICRON MIN NICKEL PLATE OVER ZONE 3.
0.76 MICRON MIN GOLD PLATE OVER ZONE 1.
0.076 MICRON MIN GOLDFLASH PLATE OVER THE REMAINDER OF ZONE 3.
- 5 1.27 MICRON MIN NICKEL PLATE OVER ZONE 3.
0.76 MICRON MIN GOLD PLATE OVER ZONE 1.
1 MICRON MIN TIN PLATE OVER ZONE 2.
- 6 HOT-DIPPED PRETIN
- 7 1 - 3 MICRON ELECTRO-TIN PLATE OVER ZONE 3
- 8 0.76 MICRON MIN NICKEL PLATE OVER ZONE 3 PER QQ-N-290
1.5 - 2.54 MICRON SILVER PLATE OVER ZONE 3,
- 9 SERATIONS CAN BE MULTILOCK OR TWO SLOTS
- 10. WIRE RANGE: 0.20 - 0.50 mm² (24-20 AWG)
- 11. INSULATION RANGE: 1.1 - 1.8 mm (.043-.070) DIA
- 12 SPECIAL REEL WITH 200 PCS FOR REEL-FED HANDTOOL

A	7	STAINLESS STEEL	PHBR	164163-8	164160-8		
A	1	STAINLESS STEEL	BRASS		164160-7		
B	1	STAINLESS STEEL	BRASS	164163-4	164160-6		
A	2	STAINLESS STEEL	BRASS	164163-2	164160-4		
A	7	STAINLESS STEEL	BRASS	164163-1	164160-3		
B	2	STAINLESS STEEL	BRASS		164160-2		
		REELING	FINISH	SPRING MATERIAL	PIN BODY	LOOSE PIECE	PART NUMBER



THIS DRAWING IS A CONTROLLED DOCUMENT.
 DIMENSIONS: mm
 TOLERANCES UNLESS OTHERWISE SPECIFIED:
 0 PLC ±0.5
 1 PLC ±0.25
 2 PLC ±0.15
 3 PLC ±0.15
 4 PLC ±
 ANGLES ±2
 FINISH
 MATERIAL SEE TABLE

DWN J.BRIGHT 28/11/11
 CHK M.GREENER 28/11/11
 APVD -
 PRODUCT SPEC 108-10042
 APPLICATION SPEC 114-19000
 WEIGHT -
 CUSTOMER DRAWING

STE TE Connectivity
 PIN ASSEMBLY
 .062 TYPE III CONTACT
 LONG SERIES

SIZE A200779 CAGE CODE C-164160 DRAWING NO 164160 RESTRICTED TO -
 SCALE NTS SHEET 1 OF 1 REV H