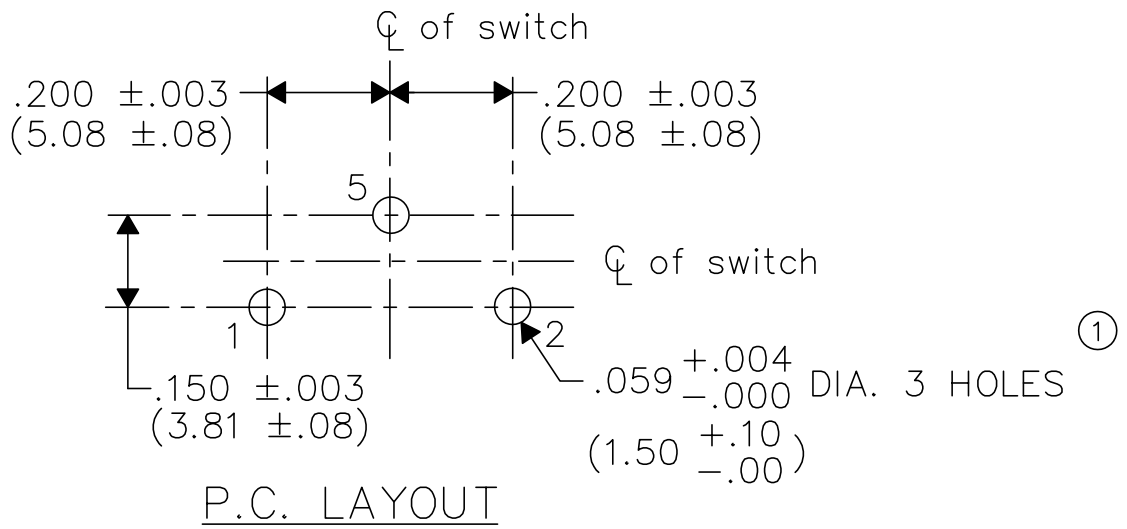
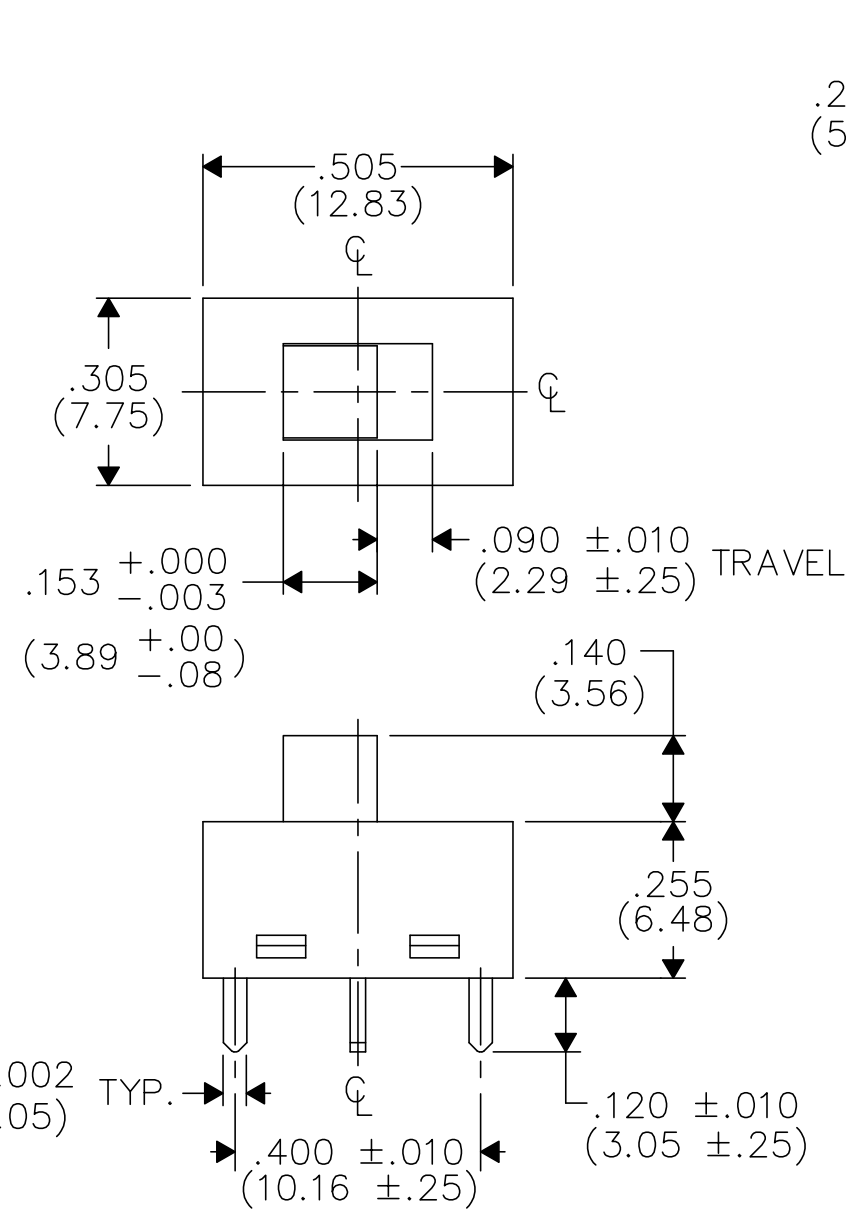
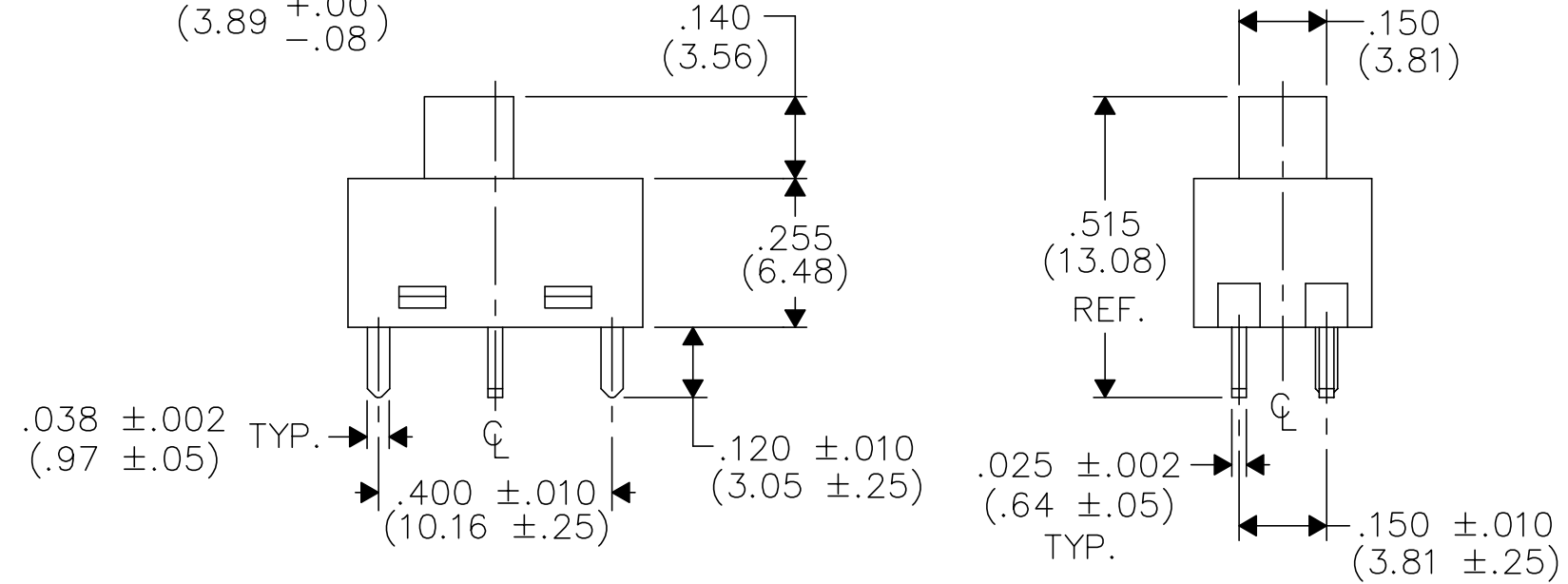


DIMENSIONS IN INCHES (MILLIMETERS)
DO NOT SCALE DRAWING

Dwg. No.
G-107-0513



NOTE:
DIMENSIONS IN () ARE IN MILLIMETERS.



1	2	3	4	5	6	7	8	9	10
---	---	---	---	---	---	---	---	---	----

FORM-B4	REVISIONS	0	1
RELEASED. E.C.J. 3-10-87			
GZ 3-11-87			
REDRAWN. .059+ .004 DIA. 3 HOLES -.000			
WAS 5 HOLES. DGW 3-05-01 3-08-2001			

PDF File Made	CW INDUSTRIES Southampton, Pa. 18966		Title: SWIDGET Jr. ASSEMBLY S.P.- D.T.
	TOLERANCES UNLESS OTHERWISE SPECIFIED		
	2 Place Decimal ±.010	METRIC	Division: SWITCH
	3 Place Decimal ±.005	1 Place Dec. ±.25mm 2 Place Dec. ±.13mm	
Made for:	CW IND.	Dwg. No. G-107-0513	
Drawn by:	DGW 3-05-2001		
Checked by:	GG 3-5-01		
Approval:	BF 3-7-01		