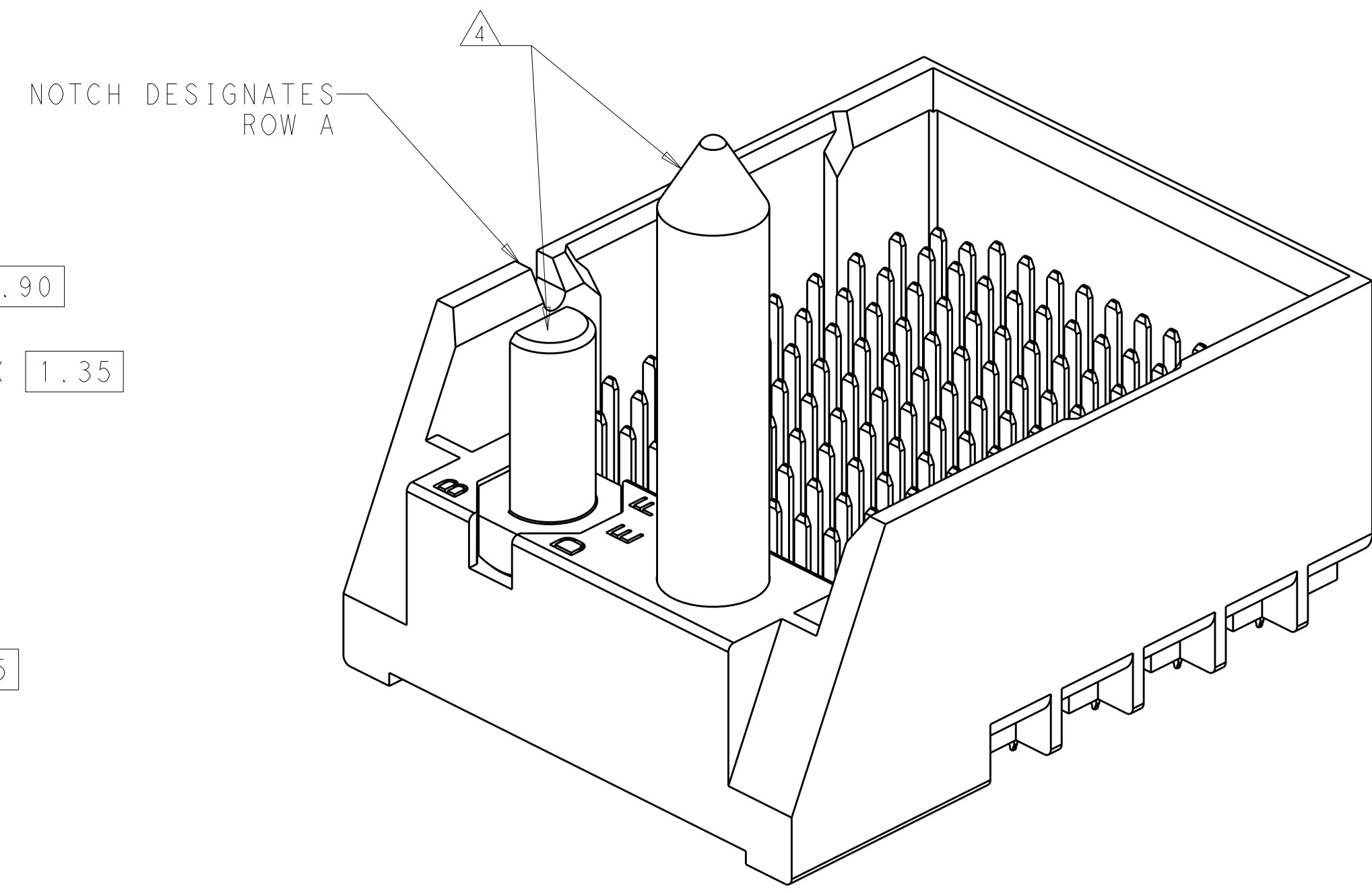
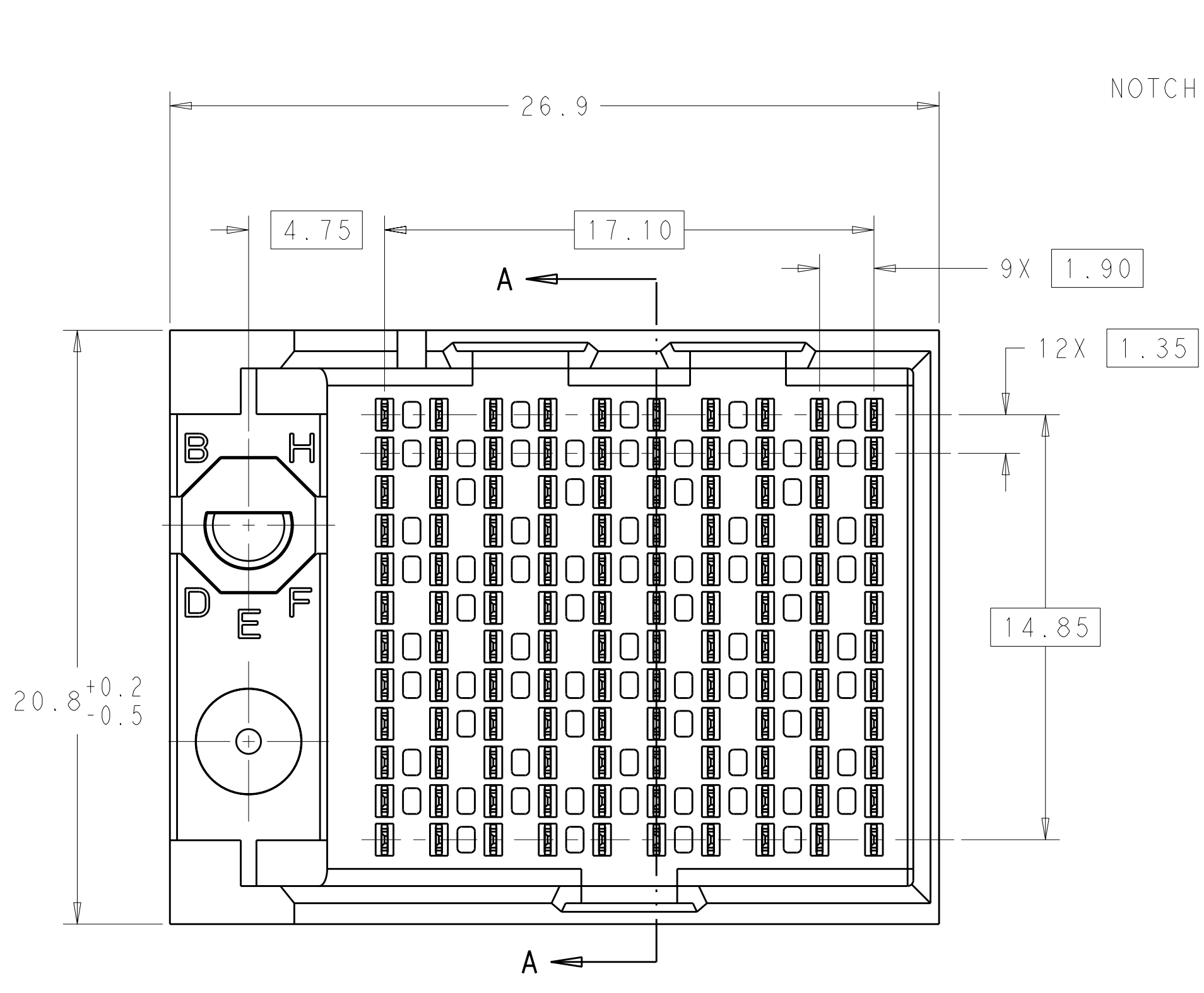
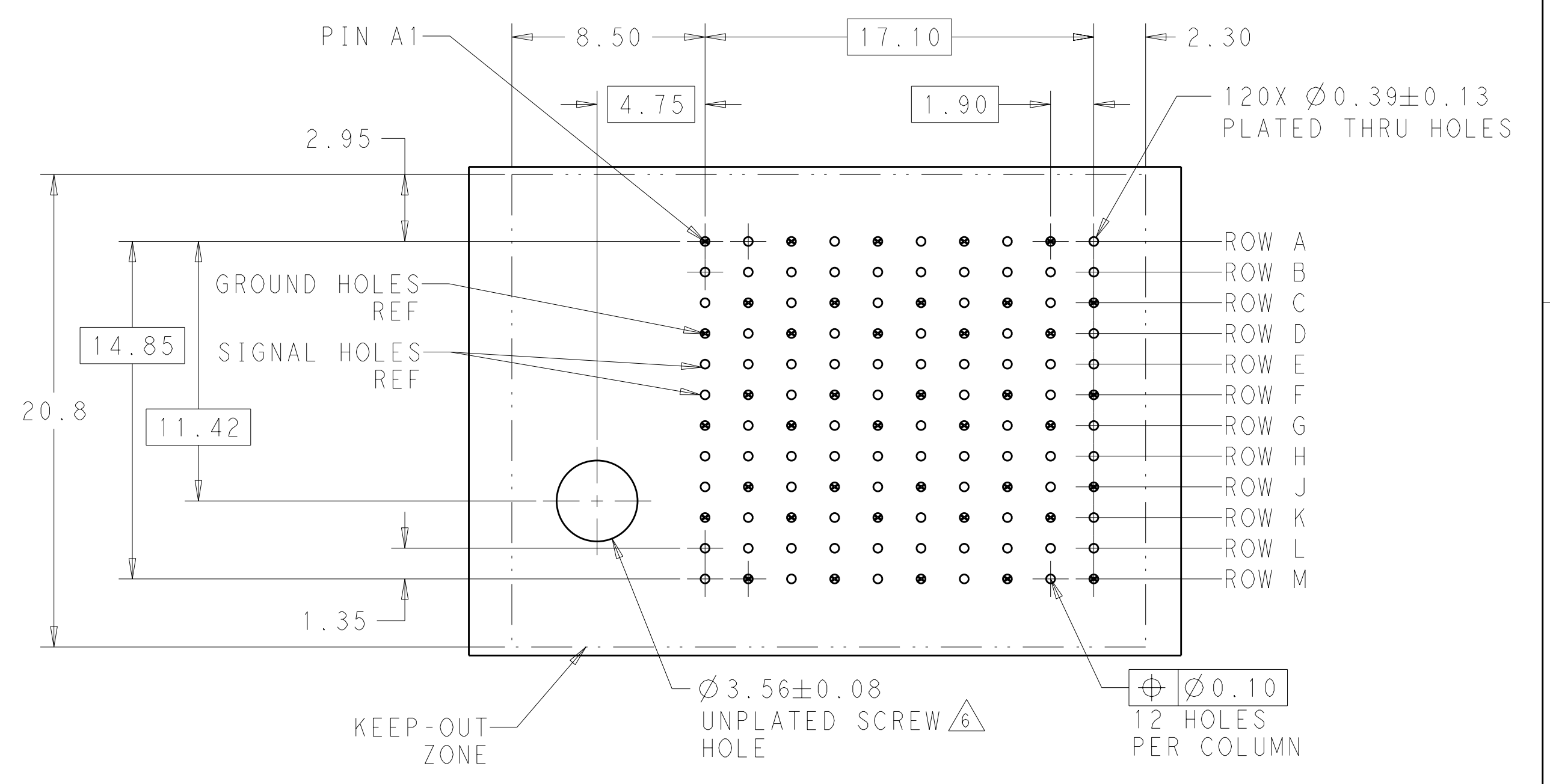


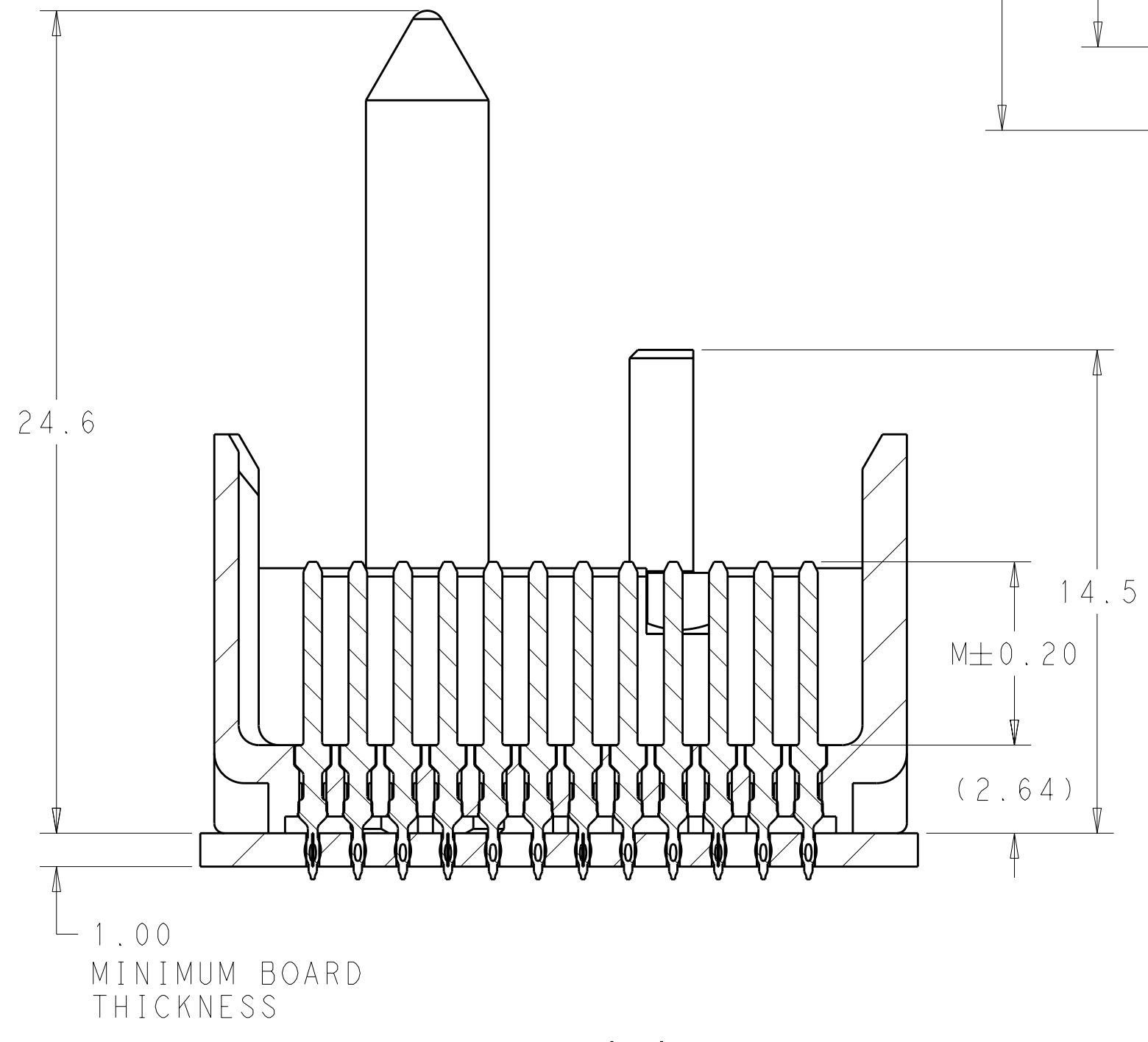
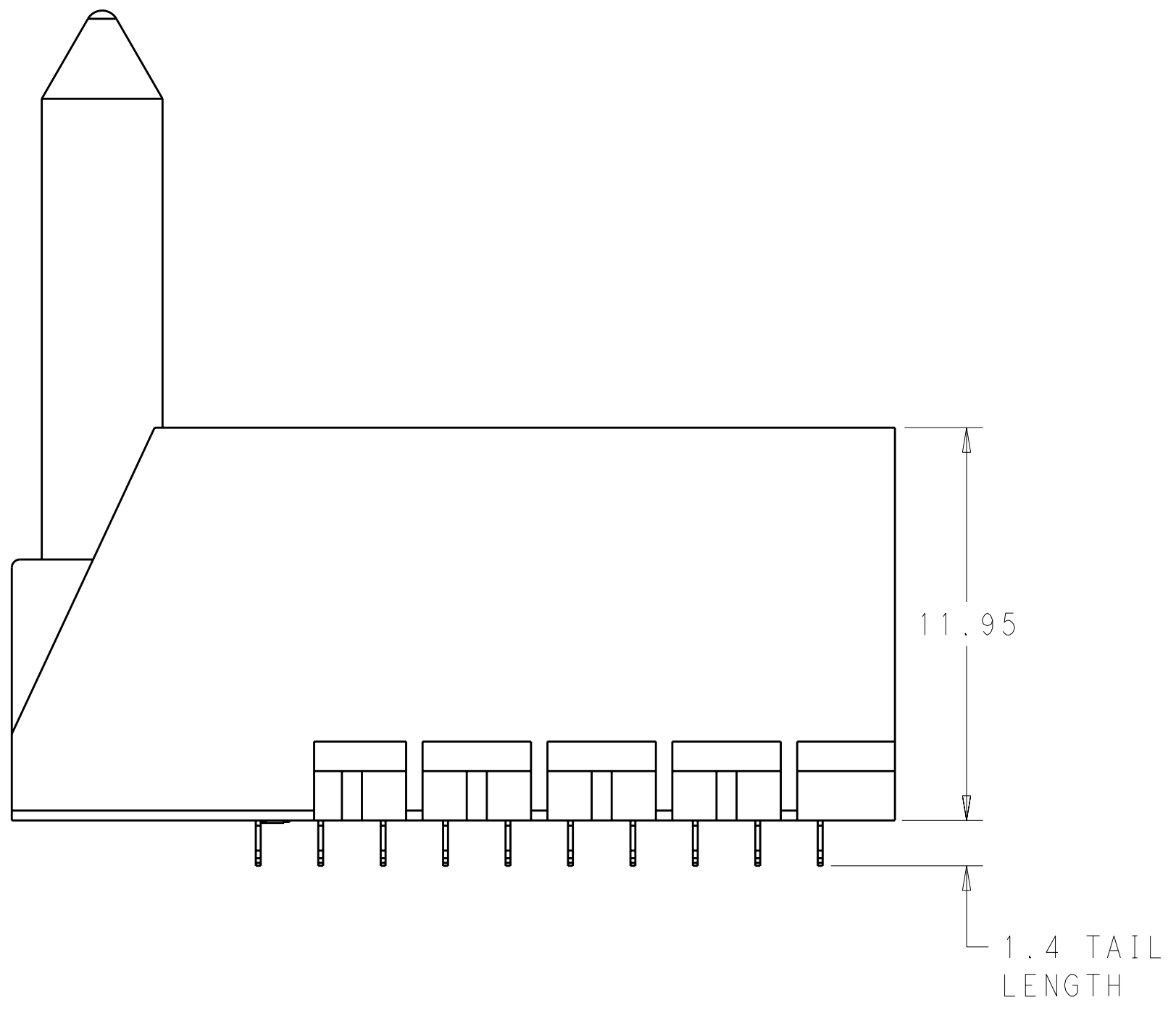
LOC	DIST	REV	DATE	BY	APPD
AD	00	A	18FEB2010	JKS	JE



- 1 MATERIAL:
HOUSING: LCP GLASS FILLED UL94V-0
TERMINALS: HIGH PERFORMANCE COPPER ALLOY
- 2 FINISH:
30µ" MIN GOLD IN CONTACT AREA
SELECTIVE TIN ON PCB TAILS.
NICKEL OVERALL.
- 3 FINISH:
30µ" MIN GOLD IN CONTACT AREA
SELECTIVE TIN-LEAD ON PCB TAILS.
NICKEL OVERALL.
- 4 OPTIONAL DEPENDING
ON PART NUMBER
- 5. SCREWS PACKAGED IN END OF PACKAGING TUBE.
- 6 FOR GROUNDED GUIDE PIN USE Ø3.56±0.08 PTH,
Ø3.66 DRILL, AND Ø6.5 PAD.
- 7. KEYING PIN SHOWN IN POSITION A, SEE KEYING CHART
ON SHEET 2 FOR OTHER POSITIONS.



LEFT GUIDED
BACKPLANE HOLE PATTERN
(CONNECTOR SIDE)
SCALE 5:1



SECTION A-A

DIMENSIONS: mm 		TOLERANCES UNLESS OTHERWISE SPECIFIED: 9 PLC ±.5 1 PLC ±0.5 5 PLC ±0.13 4 PLC ±0.013 ANGLES ±0.0001		DWN D. HUMBERT 31MAR2010 CHK J. EARY 31MAR2010 APVD J. EARY 31MAR2010		Tyco Electronics Harrisburg, PA 17105-3608	
MATERIAL:		FINISH:		NAME: IMPACT, 4 PAIR HEADER, LEFT GUIDED END WALL, SELECT LOAD, HEADER ASSEMBLY, 0.39 PTH		SIZE: CAGE CODE DRAWING NO. RESTRICTED TO A100779C=2143400	
CUSTOMER DRAWING		WEIGHT: -		SCALE: 11:1		SHEET 1 OF 2 REV A	

