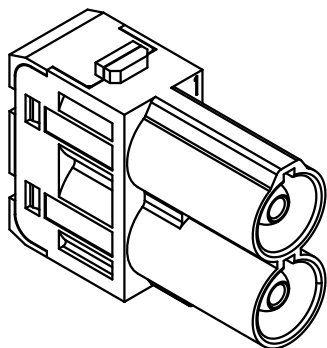


für Litze 14-22mm², AWG 6-4, feindrähtig
for stranded wire 14-22mm², AWG 6-4, fine wire



| | | | | | | |
|---|------|--------------------------------|-------------------|------|---|--|
| All Dimensions in mm Original Size DIN A 4 | | Techn. Character. | | | Nicht tolerierte Maß/Free size tolerances | |
| | | | Dat. | Name | Maßstab/Scale 2:1 | Han 70A module Stifteinsatz/male insert |
| | | Detail. | 27.03.09 | Bor | | |
| | | Insp. | | Be | | |
| | | Stand. | | | | |
| A | | HARTING Electric GmbH & Co. KG | | | | TB 09 14 002 2647 |
| Mod. | Dat. | Name | D-32339 Espelkamp | | | |
| | | | | | Sub. | Blatt/page |