

DETAILS

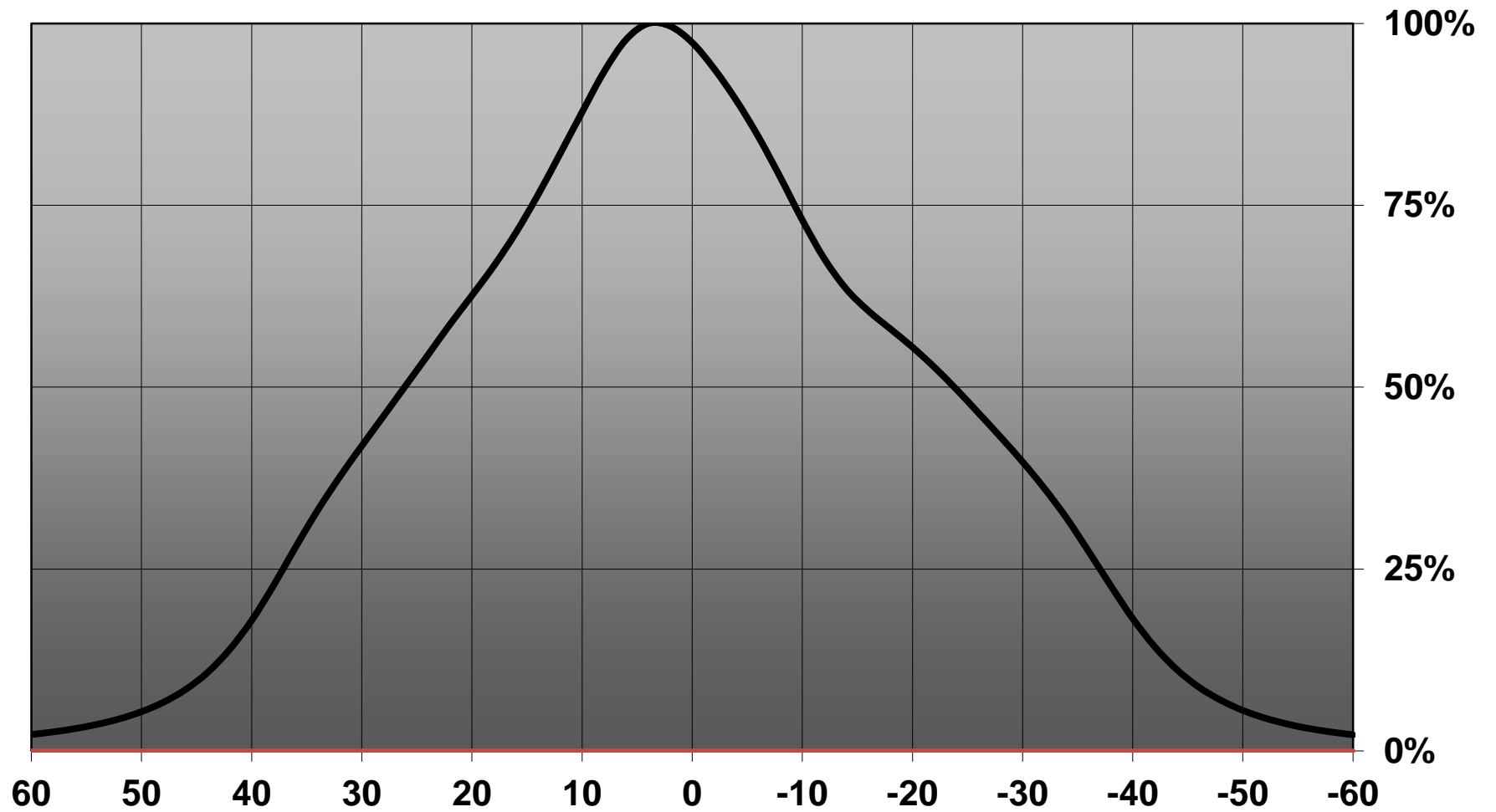
Product Number	CA12325_LAURA-WW-PIN
Family	Laura
Type	Assembly
Color	white
Diameter	21,6 x 21,6 mm
Height	13,1 mm
Style	square
Optic Material	PMMA
Holder Material	
Fastening	tape, pin
Status	production ready
ROHS Compliant	Yes
Date Updated	10/11/2016



OPTICAL PROPERTIES

LED	Viewing	Light	Effi-		Connector
	Angle	Beam	ciency	cd/lm	
XP-E	66 deg	Very Wide	86 %	0.700	-
XP-G	68 deg	Very Wide	86 %	0.640	-
XB-D	48 deg	Very Wide	86 %	0.900	-
LUXEON Rebel	56 deg	Very Wide	-	1.000	-
LUXEON T	65 deg	Very Wide	87 %	0.800	-
LUXEON Z ES	44 deg	Very Wide	91 %	1.150	-
LUXEON H50-2	sim: 83	Very Wide	sim: 93 %	sim: 0.600	-
NCSxx19B	49 deg	Very Wide	88 %	1.100	-
NF2x757D	42 deg	Very Wide	88 %	1.300	-

Relative intensity of CA12325_LAURA-WW-PIN_(Luxeon Z ES)



D

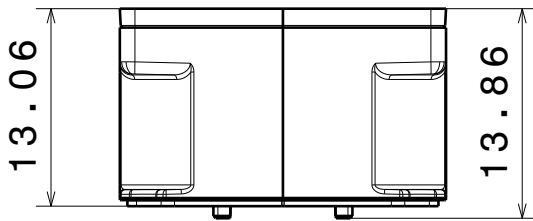
C

B

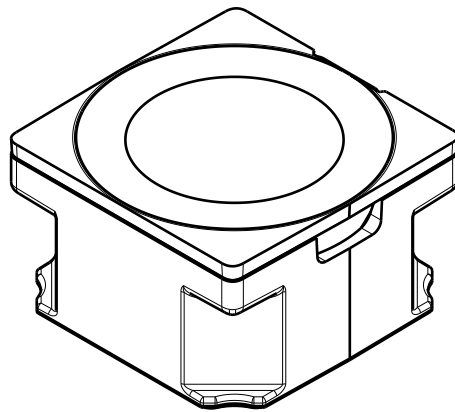
A

4

4



Front view

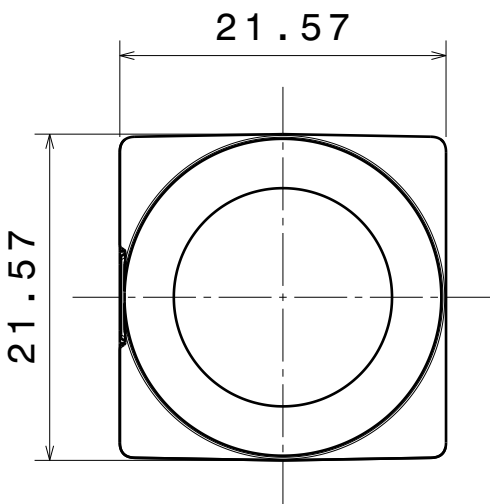


Isometric view

Scale: 2:1

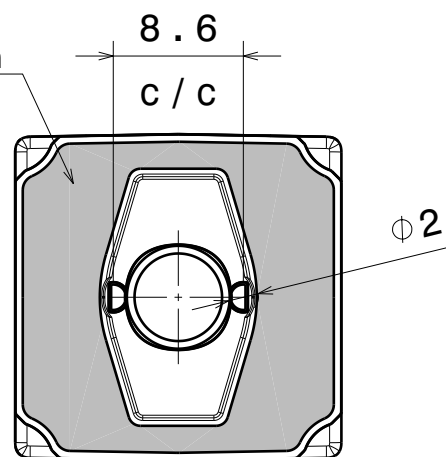
3

3



Top view

PU foam tape 0.4mm



Bottom

2

2

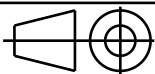
INDEX	PART NO	DESCRIPTION	MATERIAL	COLOUR
1	-	Laura-mech	PMMA	
3	C11835	LAURA-PIN-XP-HLD-WHT	PC	white

Tolerances if not otherwise shown
According to DIN ISO 2768-1
Linear measures:
Up to 30mm class M, otherwise class C.
According to DIN ISO 2768-2
Form and position: class L

LEDiL

Ledil Oy
Salorankatu 10
FIN 24240 SALO
Finland

THIRD ANGLE PROJECTION:



DRAWING TITLE

LAURA-XP-PIN-WHT assembly

This drawing is the property
of LEDiL Oy. It may not be
reproduced, copied or
communicated without a written
agreement with LEDiL Oy.

SIZE PART NUMBER

A4

-

SCALE	2:1	WEIGHT	9 g	SHEET	1/1
-------	-----	--------	-----	-------	-----

D

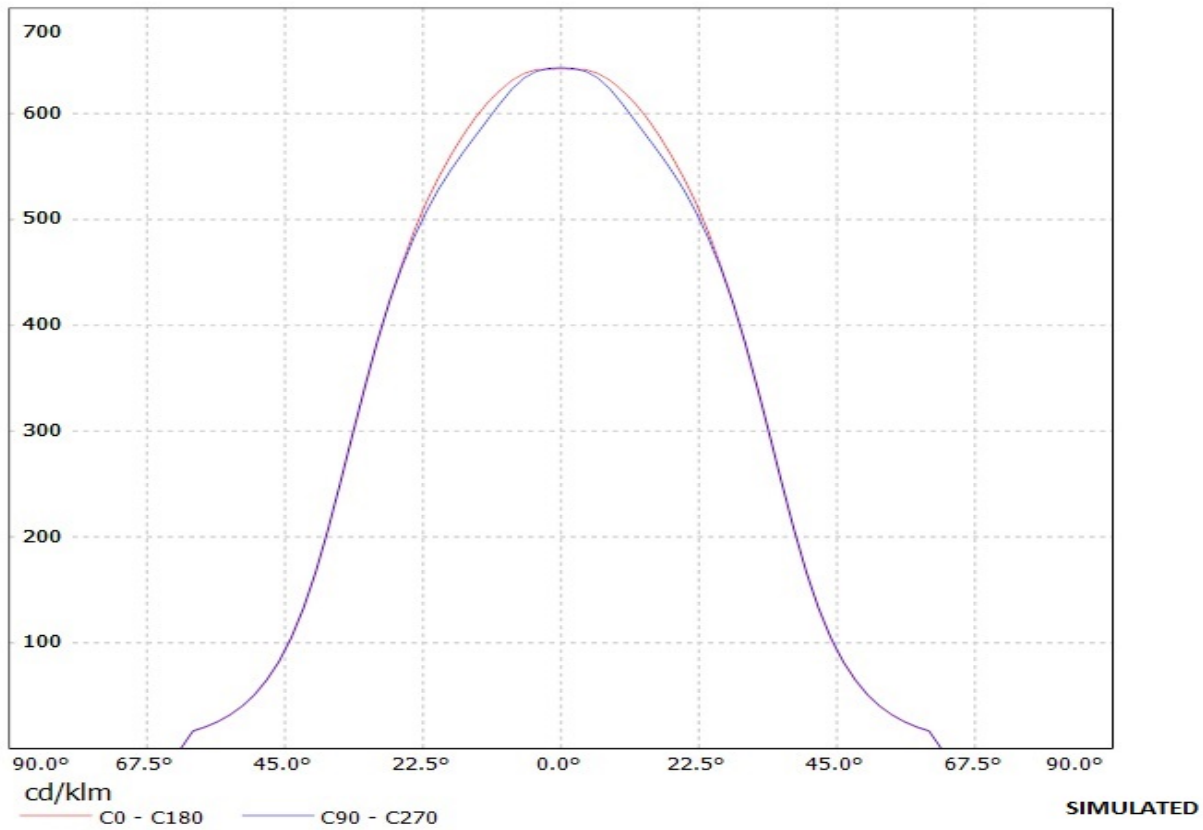
A

1

1

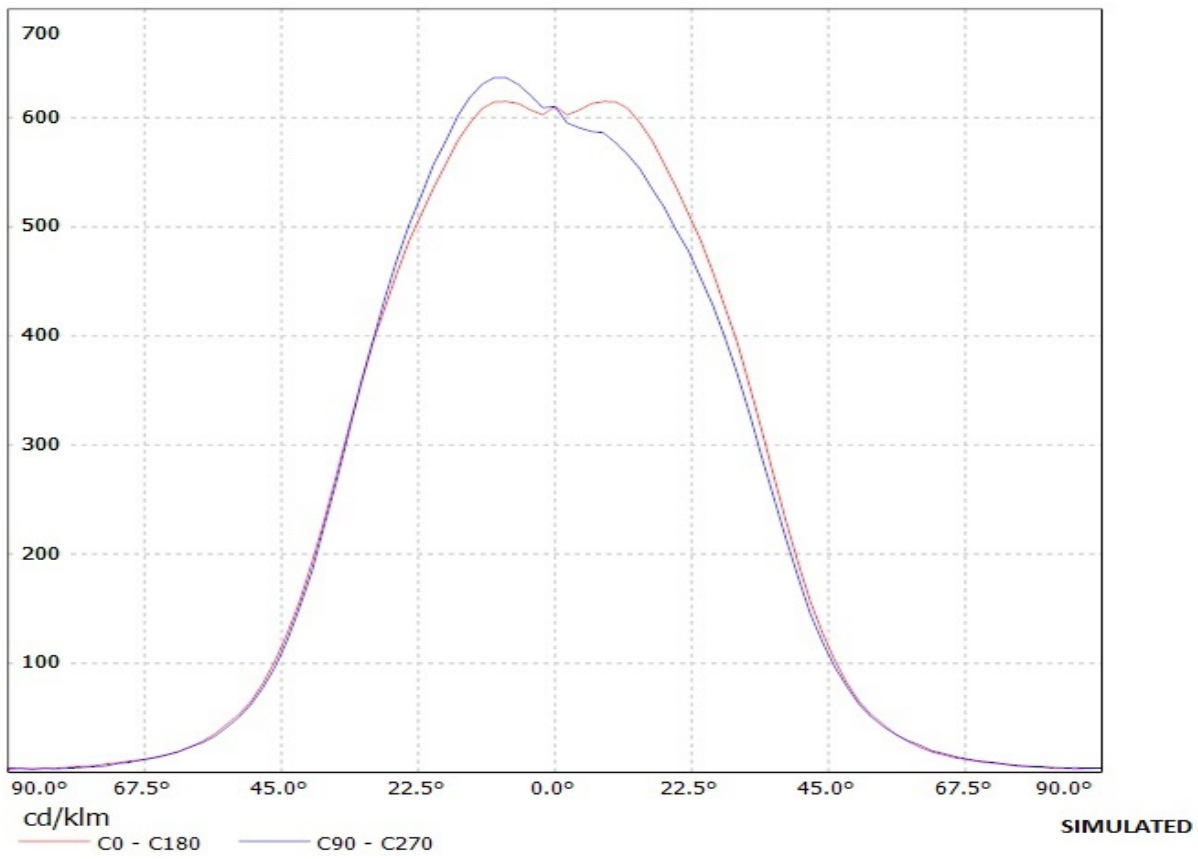
Ledil Oy CA12325_Laura-WW-PIN-WHT CA12325_Laura-WW-PIN-WHT Efficiency=86% / LDC
(Linear)

Luminaire: Ledil Oy CA12325_Laura-WW-PIN-WHT CA12325_Laura-WW-PIN-WHT Efficiency=86%
Lamps: 1 x Cree XP-E white 78lm @ 250mA



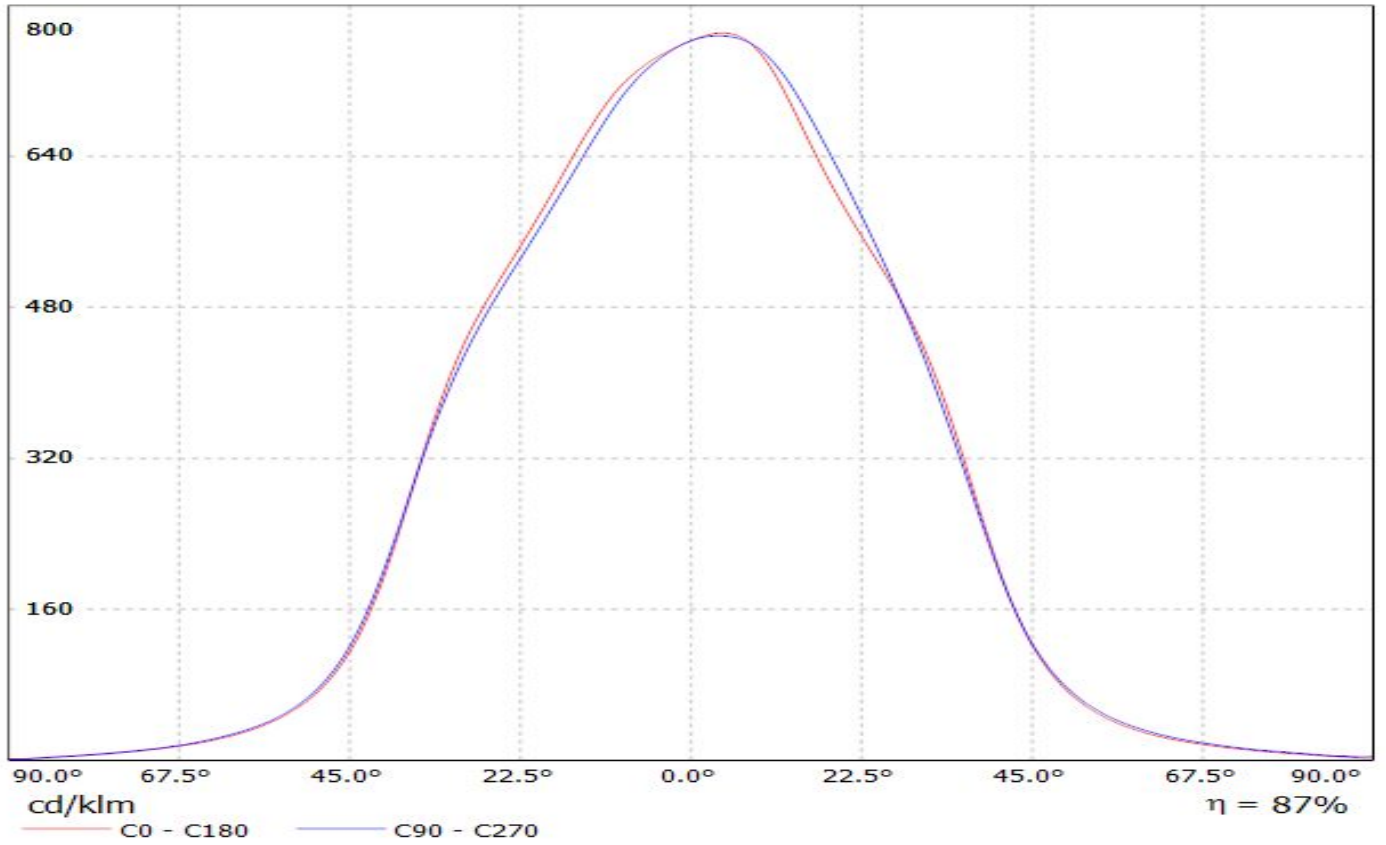
Ledil Oy Laura-WW-Pin-XP-G-tape / LDC (Linear)

Luminaire: Ledil Oy Laura-WW-Pin-XP-G-tape
Lamps: 1 x Cree XP-G 63,5lm 250mA Warm

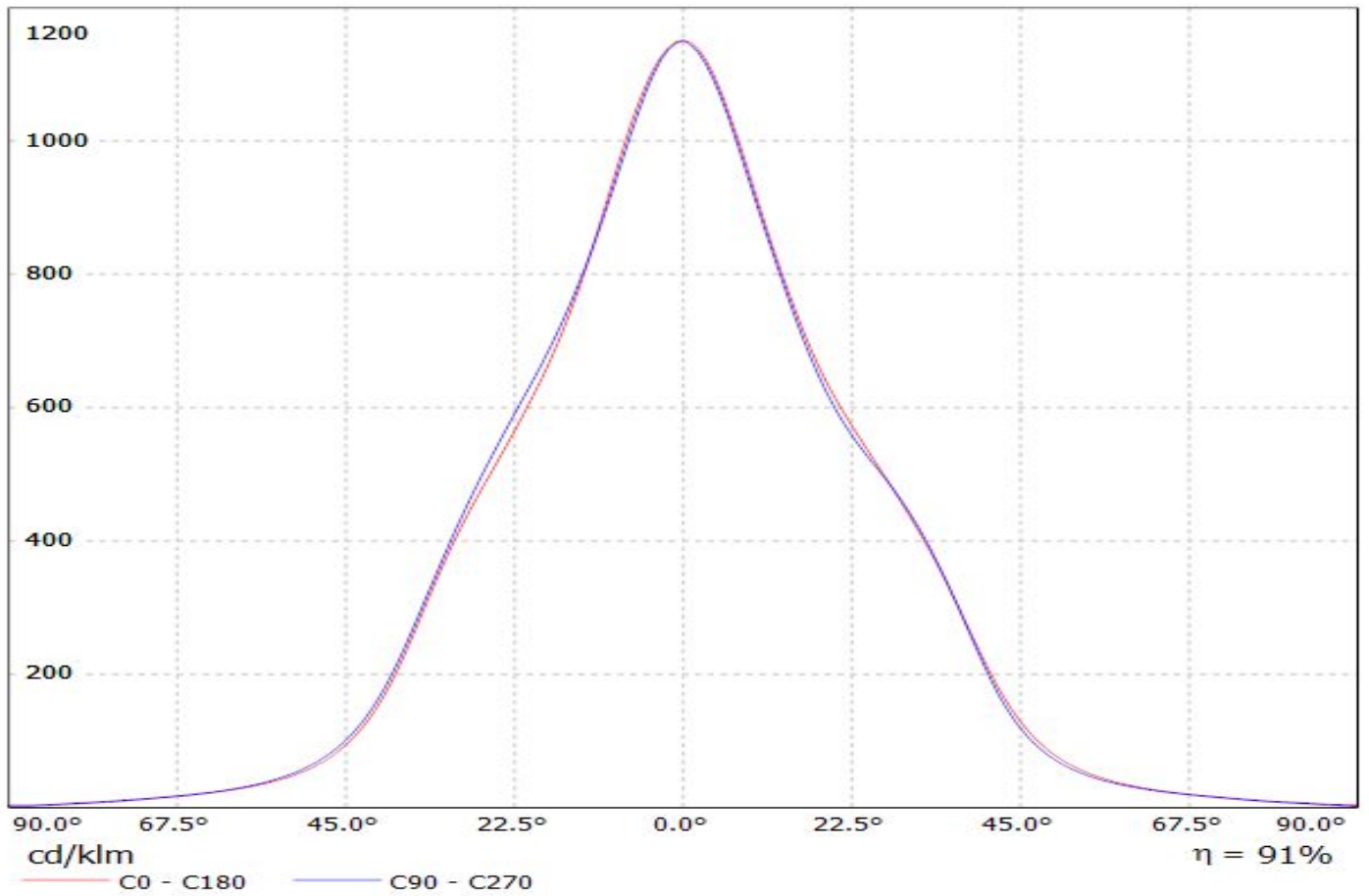


LEDiL Oy CA12325_LAURA-WW-PIN_(LUXEON_T)_3 Eff.87.2% / LDC (Linear)

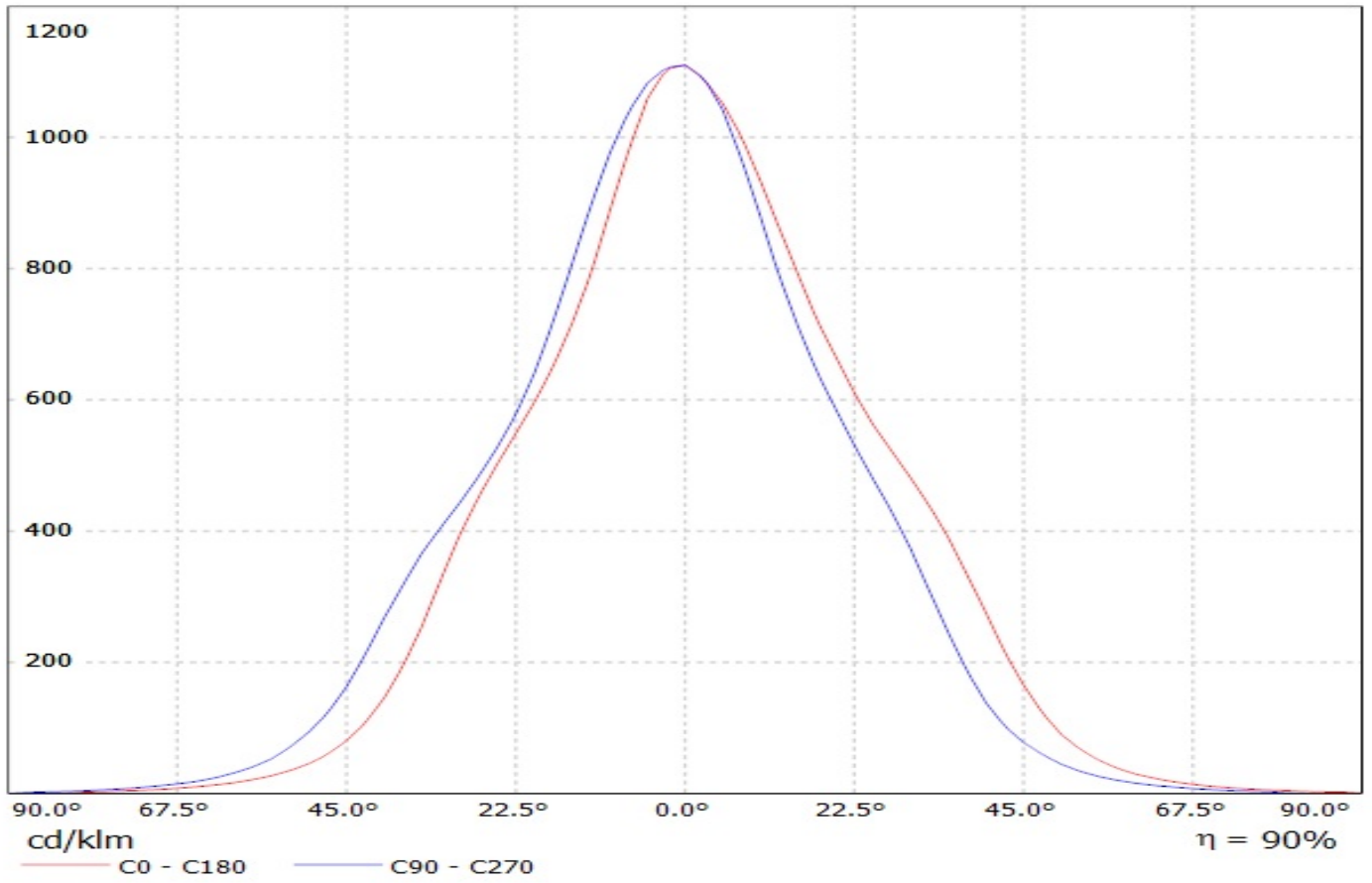
Luminaire: LEDiL Oy CA12325_LAURA-WW-PIN_(LUXEON_T)_3 Eff.87.2%
Lamps: 1 x LUXEON T (74lm@250mA)



Luminaire: LEDiL Oy CA12325_LAURA-WW-PIN_(LUXEON_Z-ES)
Lamps: 1 x LUXEON_Z-ES_(LXZ2-4080-3)_87.168lm@250mA_CCT=4000K_P=2.9W_I=0.25A

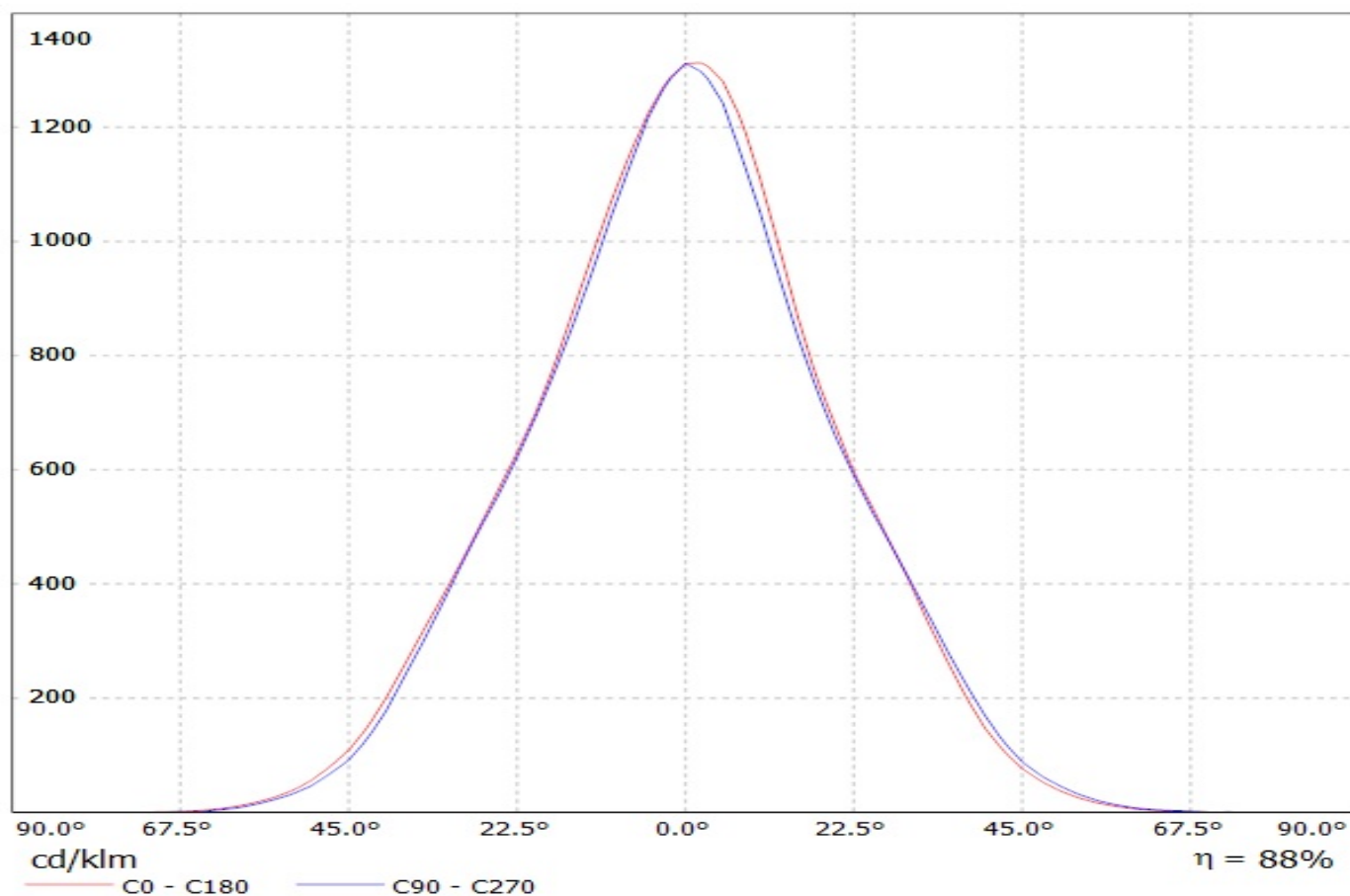


Luminaire: LEDil Oy CA12325_LAURA-WW-PIN_(NCSxx19B) Efficiency=88%
Lamps: 1 x Nichia NCSxx19b (NCSL119BE) 88.5lm @ 250mA CCT=3400K P=0.8W I=250mA



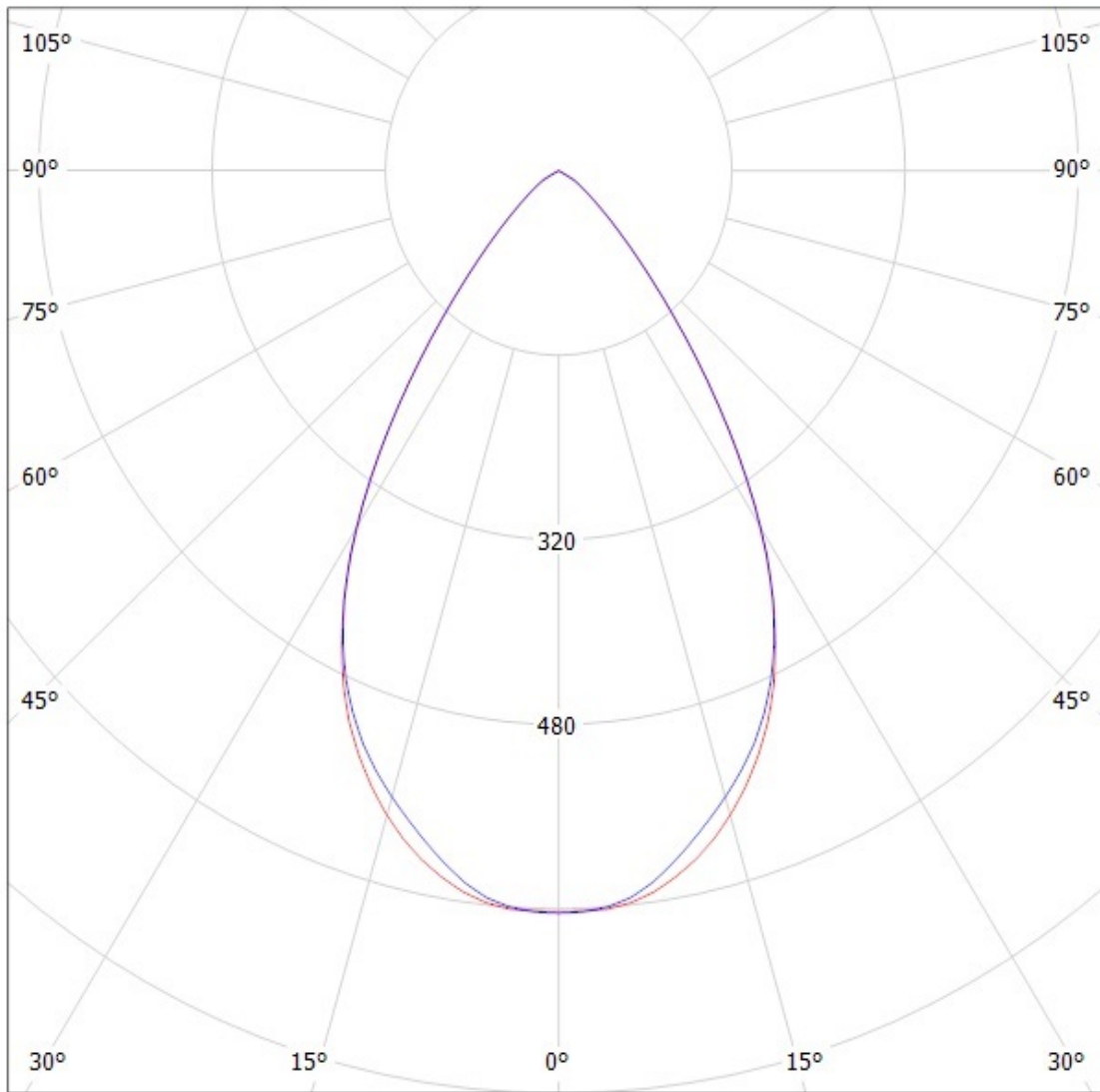
Luminaire: LEDil Oy CA12325_LAURA-WW-PIN_(NF2x757D)

Lamps: 1 x Nichia NF2x757D (NF2W757DRE) 51.22lm @ 65mA CCT=4987K P=0.4W I=65mA



Ledil Oy CA12325_Laura-WW-PIN-WHT CA12325_Laura-WW-PIN-WHT Efficiency=86% / LDC
(Polar)

Luminaire: Ledil Oy CA12325_Laura-WW-PIN-WHT CA12325_Laura-WW-PIN-WHT Efficiency=86%
Lamps: 1 x Cree XP-E white 78lm @ 250mA

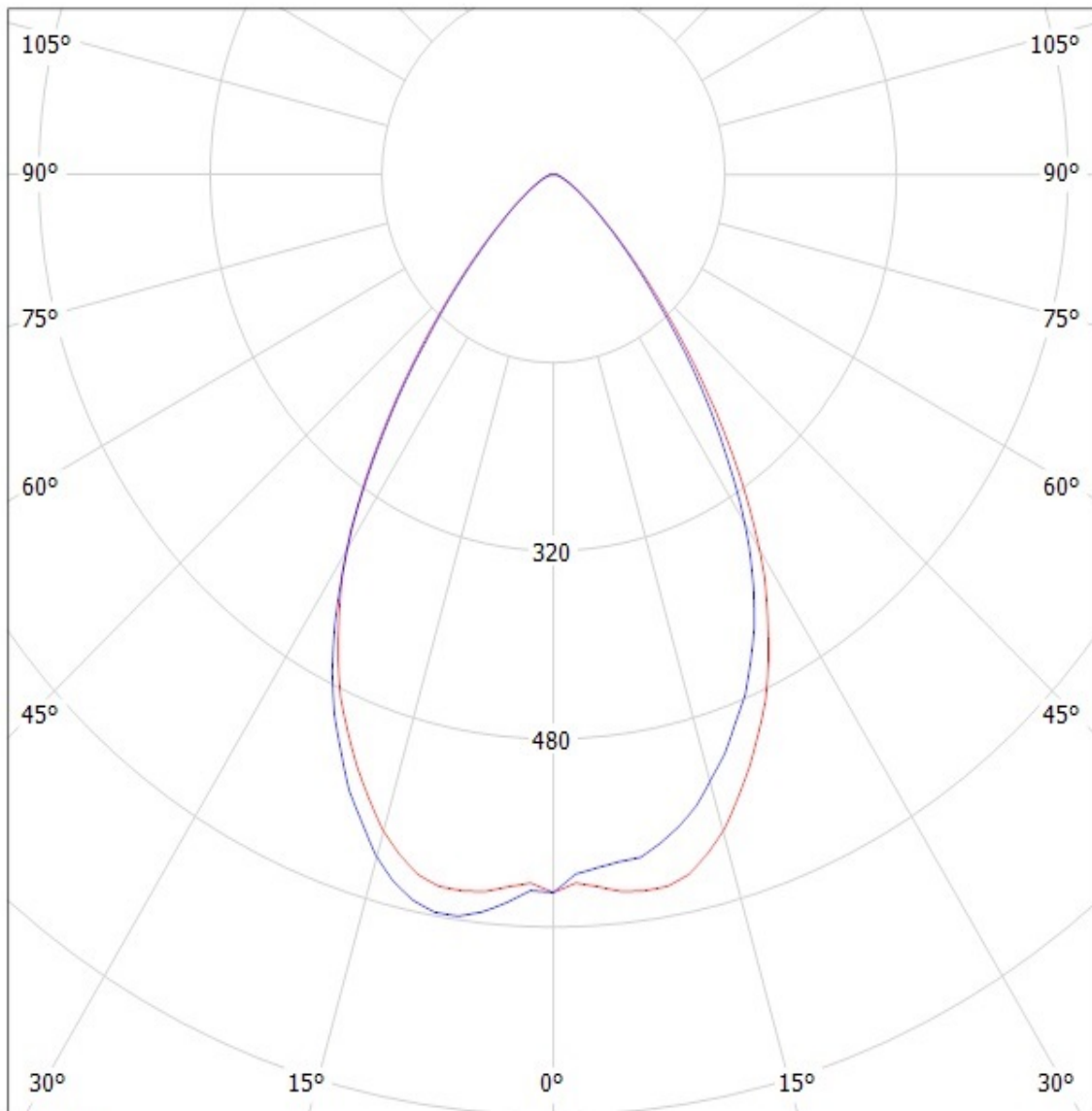


cd/klm

— C0 - C180 — C90 - C270

SIMULATED

Luminaire: Ledil Oy Laura-WW-Pin-XP-G-tape
Lamps: 1 x Cree XP-G 63,5lm 250mA Warm



cd/klm

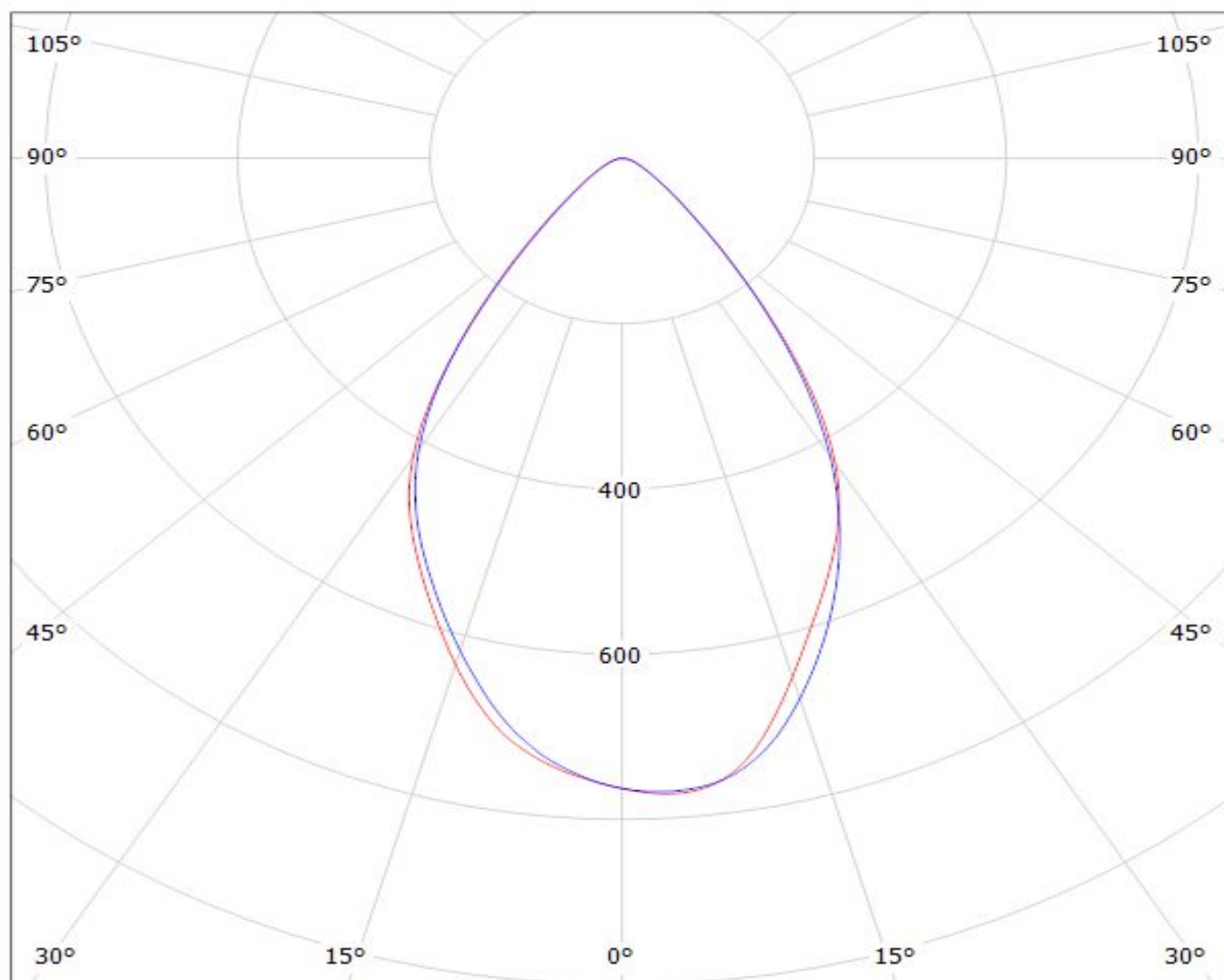
— C0 - C180 — C90 - C270

SIMULATED

LEDiL Oy CA12325_LAURA-WW-PIN_(LUXEON_T)_3 Eff.87.2% / LDC (Polar)

Luminaire: LEDiL Oy CA12325_LAURA-WW-PIN_(LUXEON_T)_3 Eff.87.2%

Lamps: 1 x LUXEON T (74lm@250mA)



cd/klm

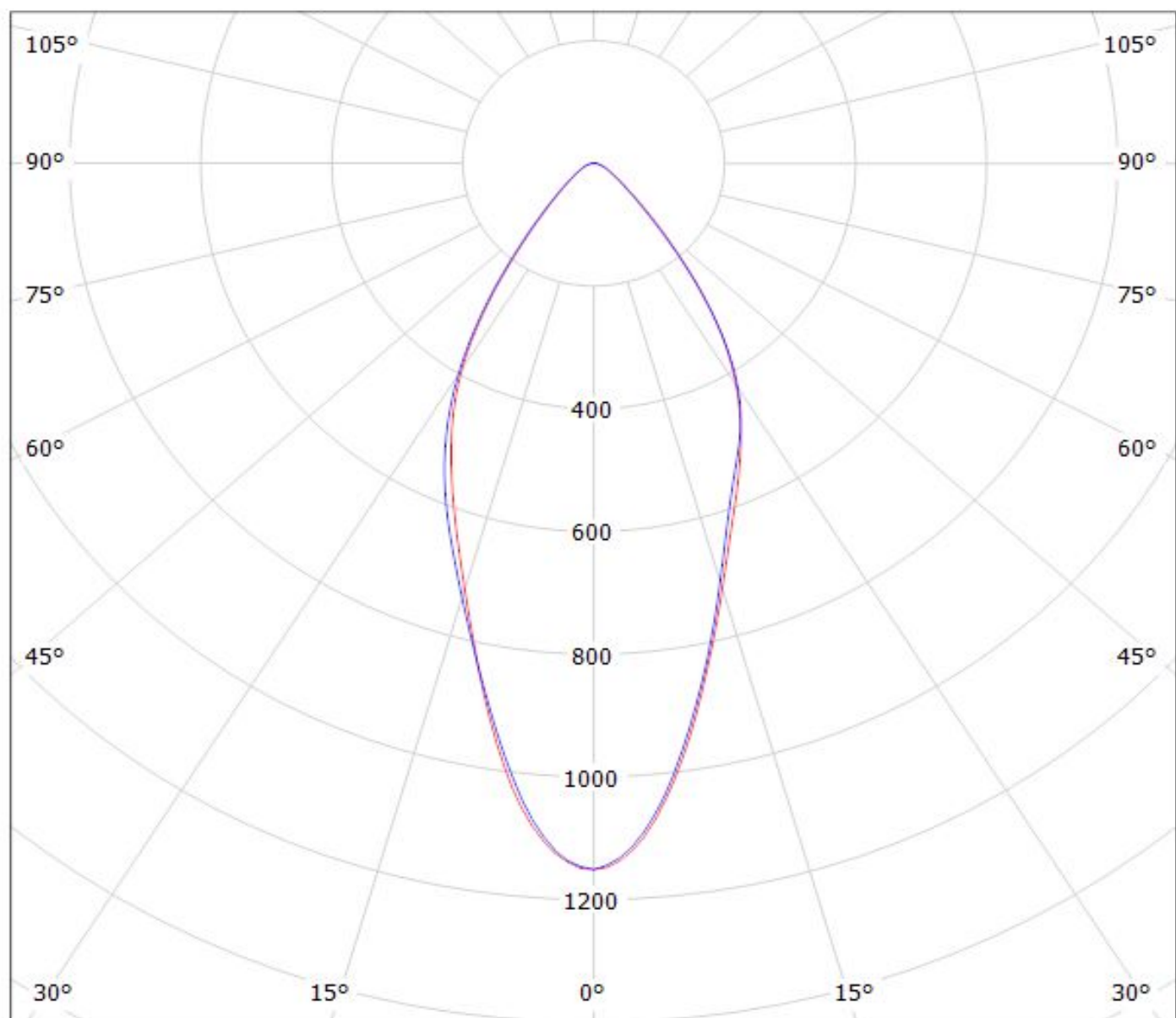
— C0 - C180

— C90 - C270

$\eta = 87\%$

Luminaire: LEDiL Oy CA12325_LAURA-WW-PIN_(LUXEON_Z-ES)

Lamps: 1 x LUXEON_Z-ES_(LXZ2-4080-3)_87.168lm@250mA_CCT=4000K_P=2.9W_I=0.25A



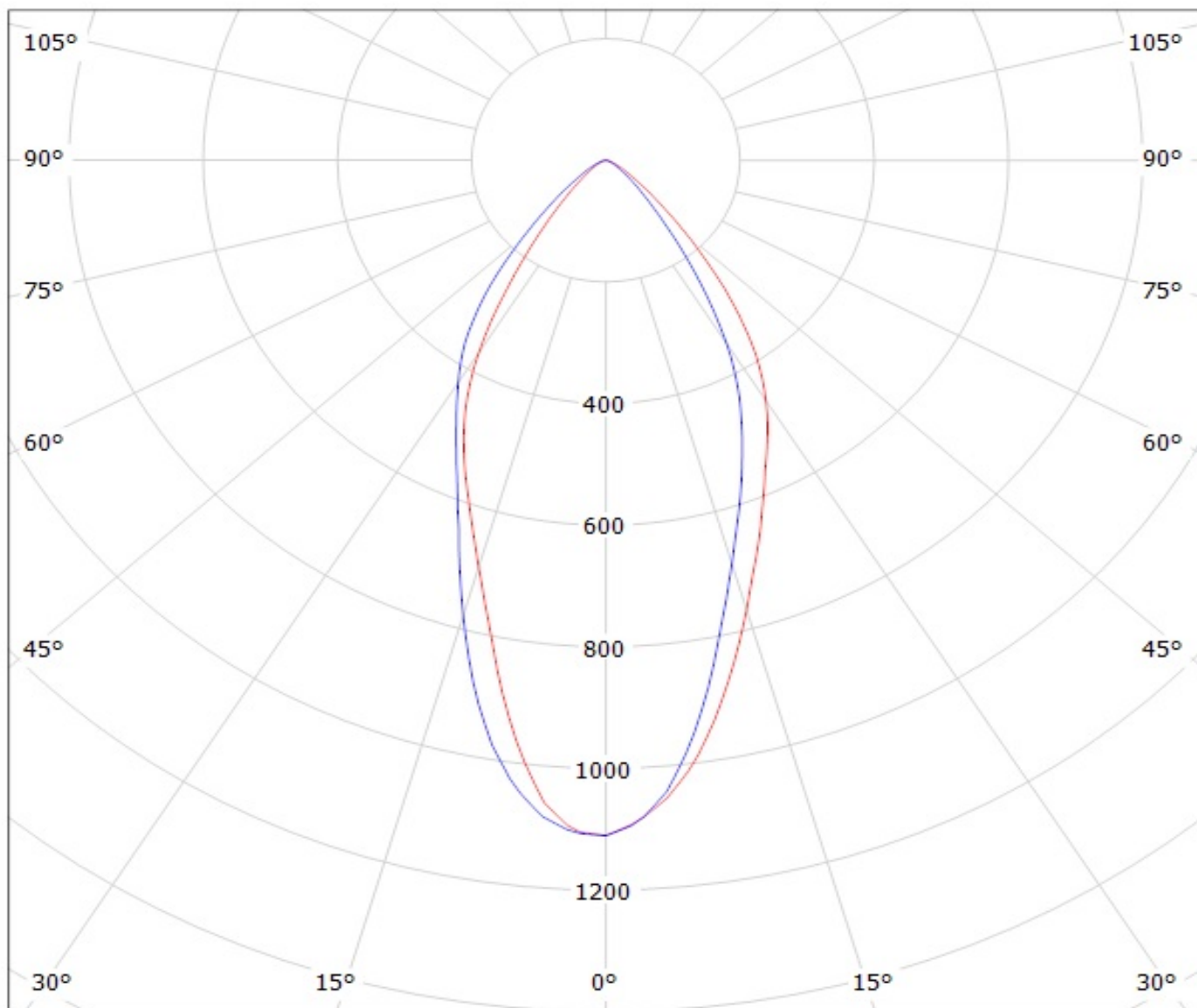
cd/klm

— C0 - C180

— C90 - C270

$\eta = 91\%$

Luminaire: LEDil Oy CA12325_LAURA-WW-PIN_(NCSxx19B) Efficiency=88%
Lamps: 1 x Nichia NCSxx19b (NCSL119BE) 88.5lm @ 250mA CCT=3400K P=0.8W I=250mA

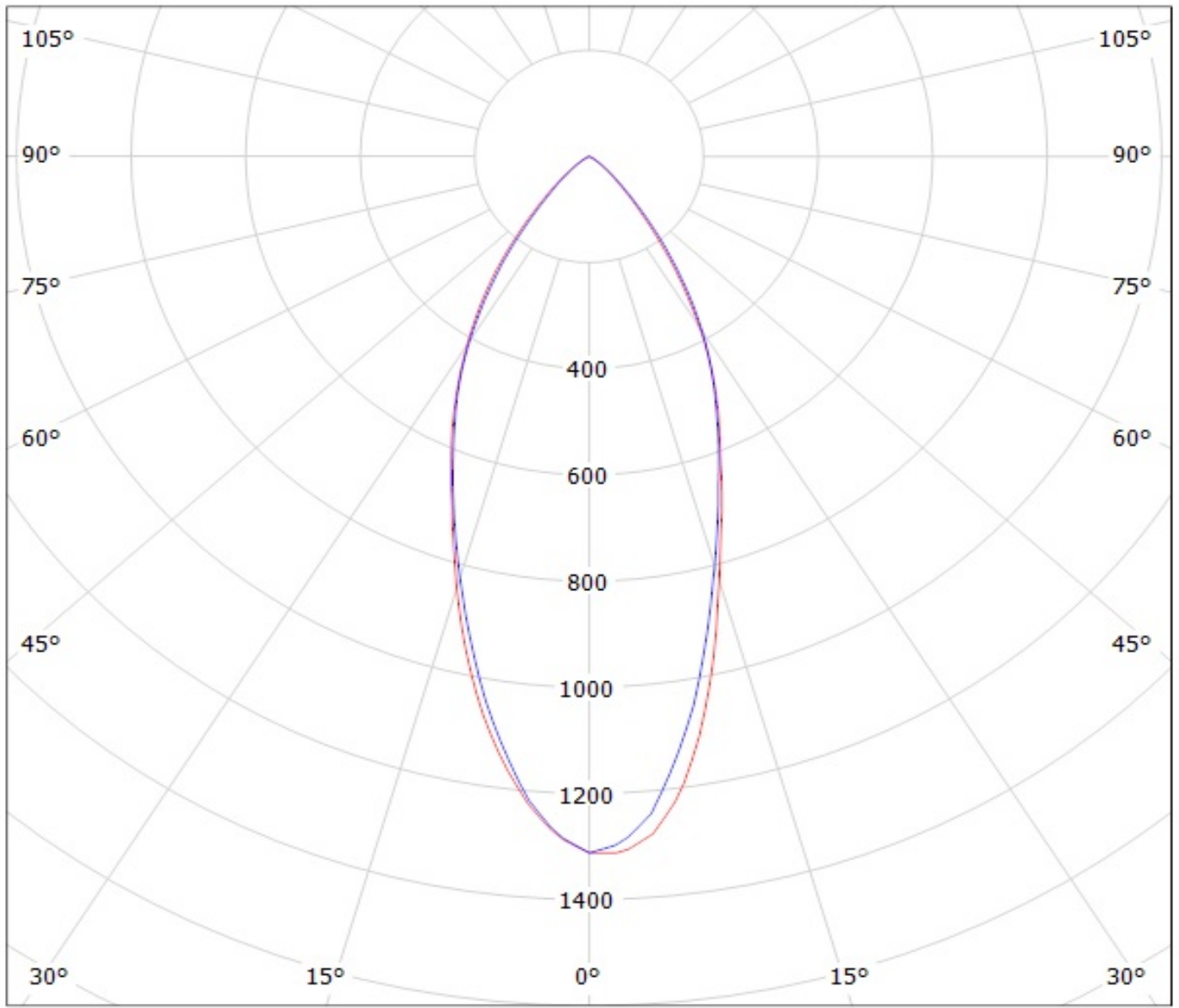


cd/klm

— C0 - C180 — C90 - C270

Luminaire: LEDil Oy CA12325_LAURA-WW-PIN_(NF2x757D)

Lamps: 1 x Nichia NF2x757D (NF2W757DRE) 51.22lm @ 65mA CCT=4987K P=0.4W I=65mA



cd/klm

$\eta = 88\%$

— C0 - C180

— C90 - C270

NOTE: The typical divergence will be changed by different color, chip size and chip position tolerance. The typical total divergence is the full angle measured where the luminous intensity is half of the peak value.