

**Product number CP10960\_RGBX-SS**

Family	RGBX	FWHM	18 degrees
Type	Assembly	Efficiency	85 %
LED	Ostar-SMT RGB	cd/lm	4.400
Color	Black	Gerber File	Available
Diameter	30 mm		
Height	28 mm		
Style	Round		
Optic Material	PMMA		
Holder Material	-		
Fastening	["glue"]		
Status	Production ready		

**Product number CP10766\_RGBX-M**

Family	RGBX	FWHM	30 degrees
Type	Assembly	Efficiency	70 %
LED	Ostar-SMT RGB	cd/lm	-
Color	Black	Gerber File	Available
Diameter	30 mm		
Height	28 mm		
Style	Round		
Optic Material	PMMA,PC		
Holder Material	-		
Fastening	["glue"]		
Status	Production ready		

**Product number CP10767\_RGBX-O**

Family	RGBX	FWHM	50+33 degrees
Type	Assembly	Efficiency	69 %
LED	Ostar-SMT RGB	cd/lm	-
Color	Black	Gerber File	Available
Diameter	30 mm		
Height	28 mm		
Style	Round		
Optic Material	PMMA,PC		
Holder Material	-		
Fastening	["glue"]		
Status	Production ready		

**NOTE: The typical divergence will be changed by different color, chip size and chip position tolerance. The typical total divergence is the full angle measured where the luminous intensity is half of the peak value.**



## PRODUCT DATASHEET RGBX series

last update 11/2/2016

### GENERAL INFORMATION

- Product series especially designed & optimized for Ostar-SMT RGB series of LEDs.
- Special care taken to make light distribution as uniform as possible.
- Lens material optical grade PMMA with high UV and temperature resistance. Allows use of high current and temperature conditions.

Please find more information about used material from below:

[http://ledil.fi/sites/default/files/Documents/Technical/Material/PMMA%20N%20UL94\\_Yellow%20Card.pdf](http://ledil.fi/sites/default/files/Documents/Technical/Material/PMMA%20N%20UL94_Yellow%20Card.pdf)

<http://ledil.fi/sites/default/files/Documents/Technical/Material/PMMA%20N%20PLEXIGLAS-Datasheet.pdf>

D

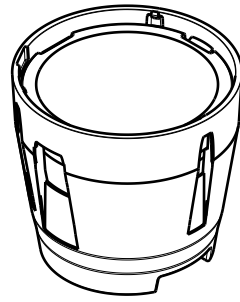
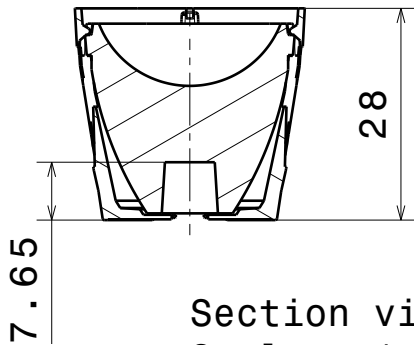
C

B

A

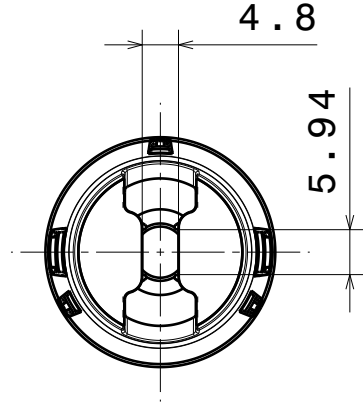
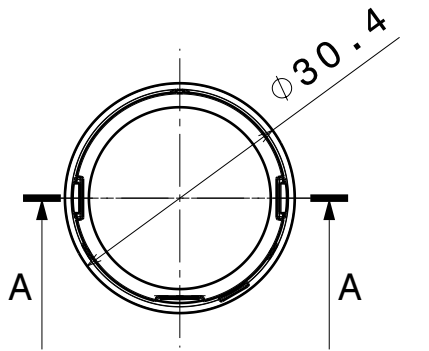
4

4



3

3



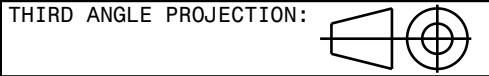
2

2

INDEX	PART NO	DESCRIPTION	MATERIAL	COLOUR
1	C10399	RGBX-0-SMT-HLD	PC	black
2	C10542	RGBX-SS	PMMA	

Tolerances if not otherwise shown  
According to DIN ISO 2768-1  
Linear measures:  
Up to 30mm class M, otherwise class C.  
According to DIN ISO 2768-2  
Form and position: class L

**LEDiL** Ledil Oy  
Salorankatu 10  
FIN 24240 SALO  
Finland



DRAWING TITLE  
**CP10960\_RGBX-SS**

This drawing is the property of LEDiL Oy. It may not be reproduced, copied or communicated without a written agreement with LEDiL Oy.

SIZE	PART NUMBER
<b>A4</b>	<b>CP10960</b>

SCALE	1:1	WEIGHT	12,6 g	SHEET	1/1
-------	-----	--------	--------	-------	-----

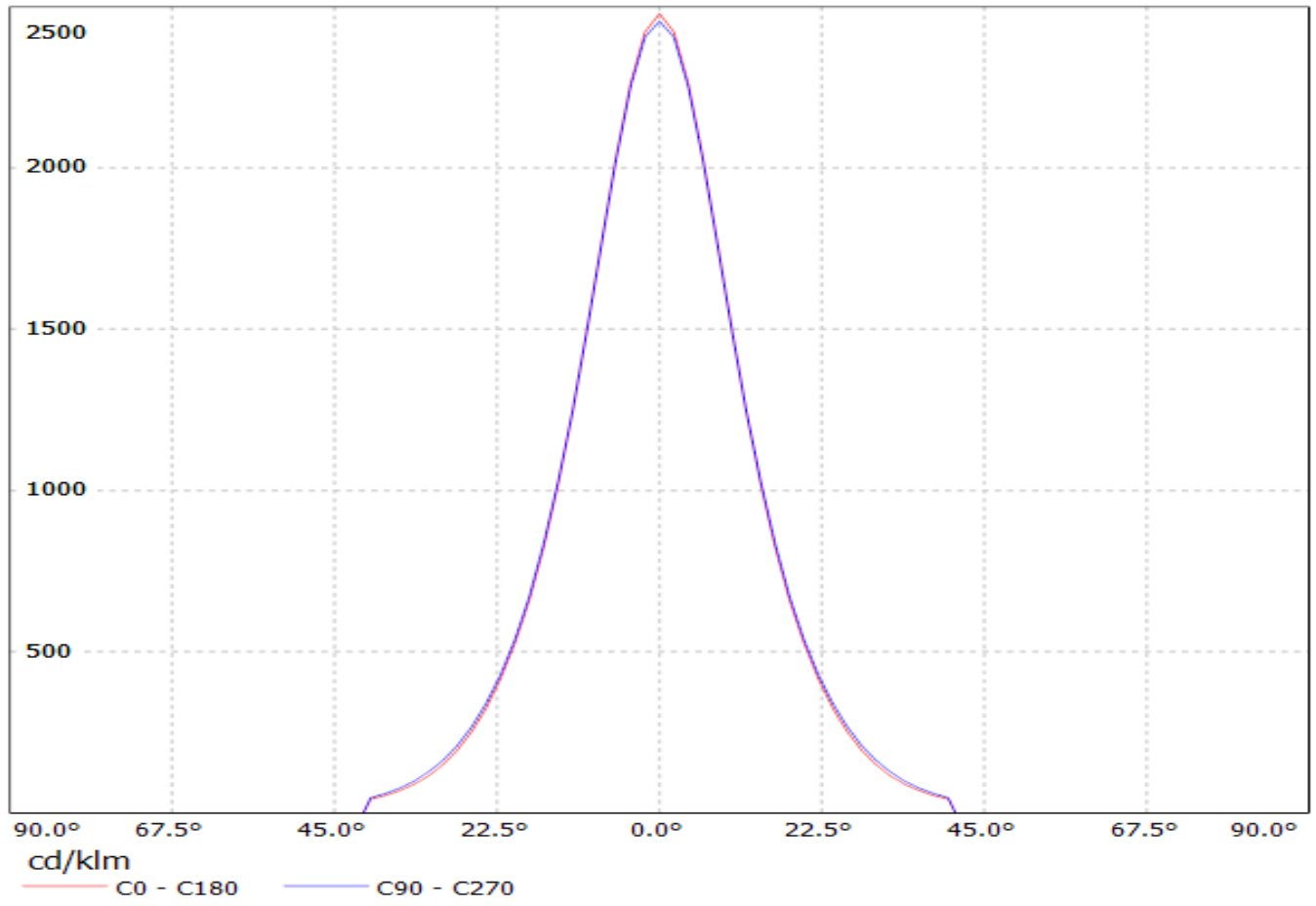
1

1

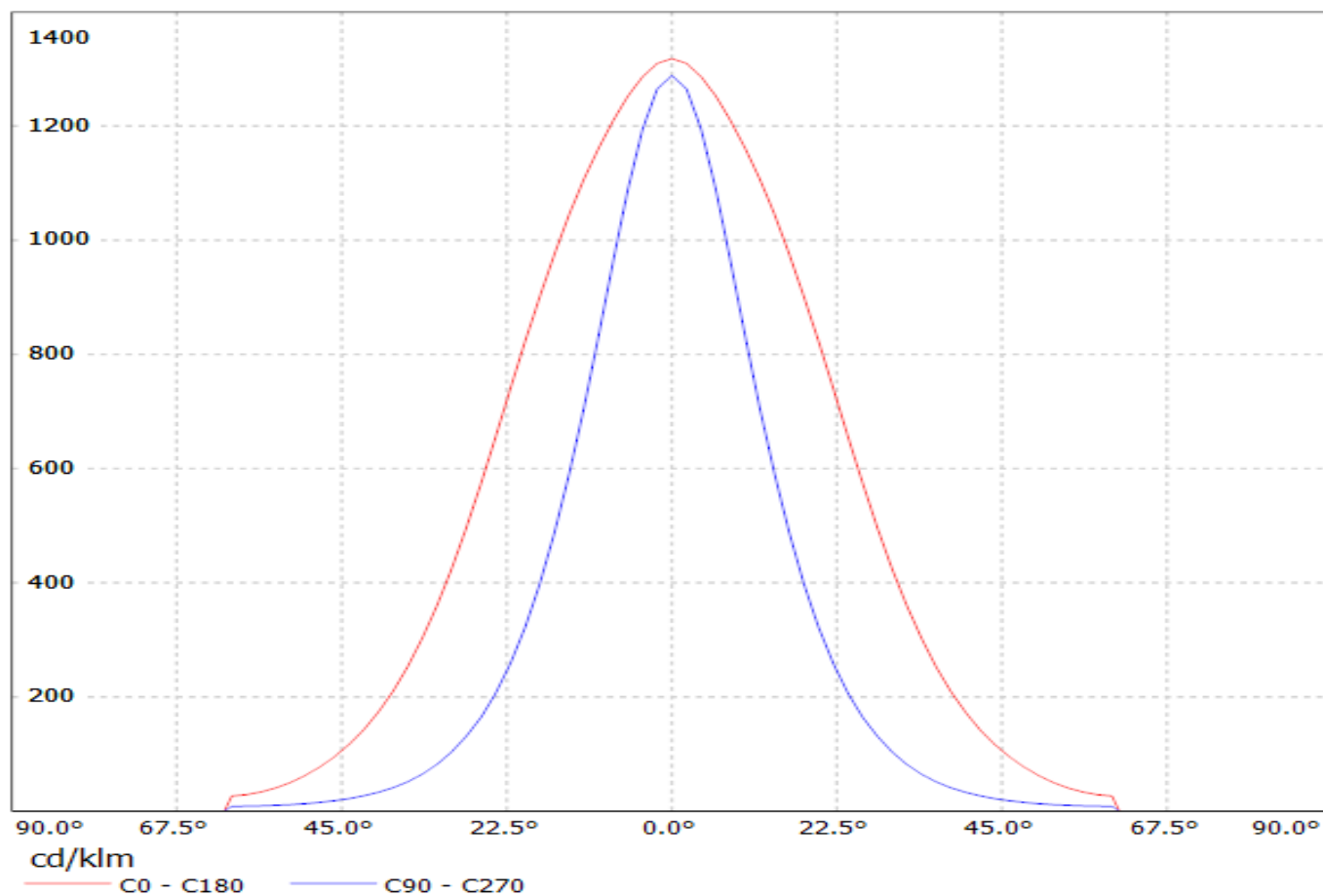
D

A

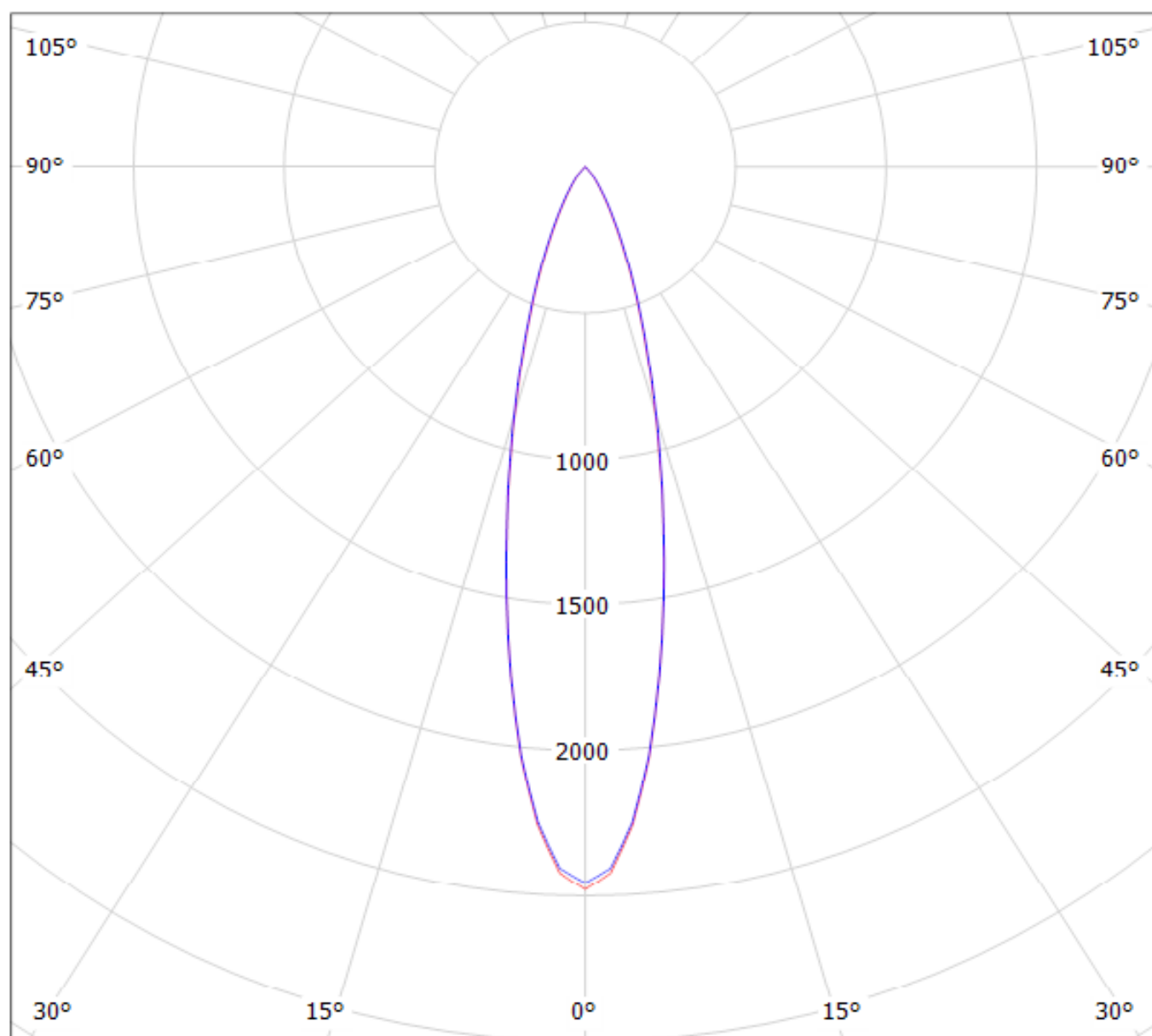
Luminaire: Ledil Oy CA10766\_RGBX-O-SMT-M CA10766\_RGBX-O-SMT-M  
Lamps: 1 x Osram-os SMT (RGB)



Luminaire: Ledil Oy CA10767\_RGBX-O-SMT-O CA10767\_RGBX-O-SMT-O  
Lamps: 1 x Osram-os SMT (RGB)



Luminaire: Ledil Oy CA10766\_RGBX-O-SMT-M CA10766\_RGBX-O-SMT-M  
Lamps: 1 x Osram-os SMT (RGB)

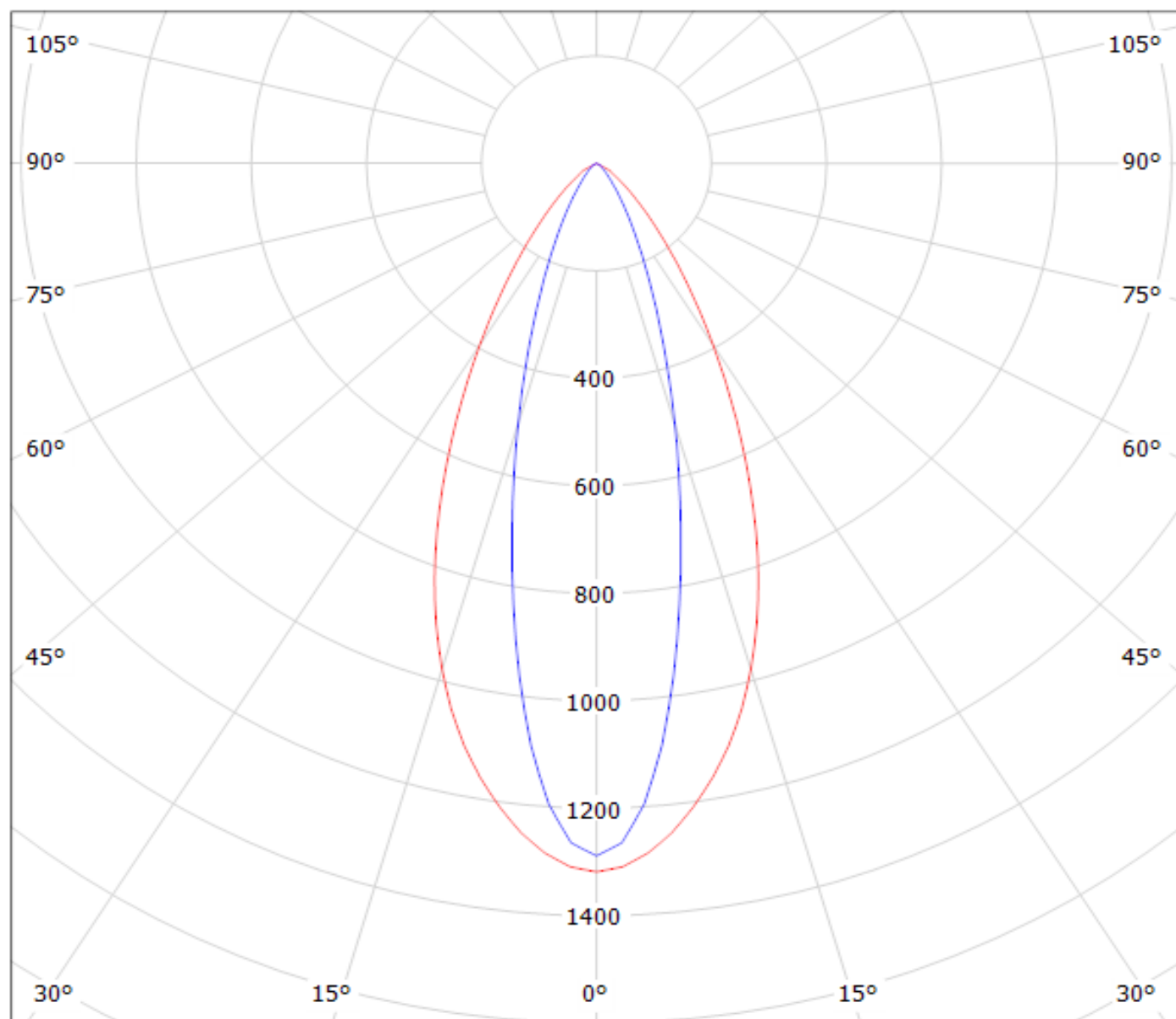


cd/klm

— C0 - C180

— C90 - C270

Luminaire: Ledil Oy CA10767\_RGBX-O-SMT-O CA10767\_RGBX-O-SMT-O  
Lamps: 1 x Osram-os SMT (RGB)



cd/klm

— C0 - C180 — C90 - C270