

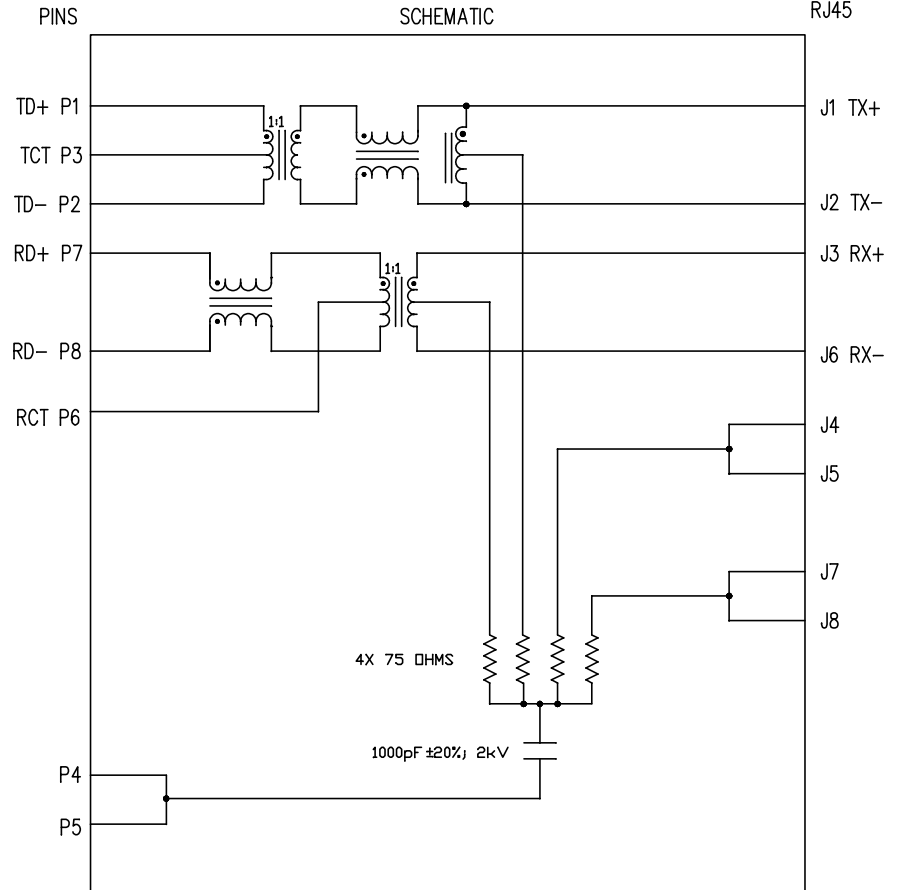
THE INFORMATION CONTAINED HEREIN IS CONSIDERED "PROPRIETARY" TO BEL FUSE INC. AND SHALL NOT BE COPIED, REPRODUCED OR DISCLOSED WITHOUT THE WRITTEN APPROVAL OF BEL FUSE INC.

RoHS  
2002/95/EC



ELECTRICAL CHARACTERISTICS @ 25°C

- |  |  |
|--|--|
| 1.0 TURNS RATIO: (P8-P6-P7) : (J6-J3)                | : 1CT : 1 ± 3%                           |
| (P2-P3-P1) : (J2-J1)                                 | : 1CT : 1 ± 3%                           |
| 2.0 INDUCTANCE: (P7-P8)                              | : 350uH MIN. @ 0.1V, 100KHz, 8mA DC Bias |
| (P1-P2)  | : 350uH MIN. @ 0.1V, 100KHz, 8mA DC Bias |
| 3.0 LEAKAGE INDUCTANCE: P8-P7 (WITH J6 AND J3 SHORT) | : 0.3uH MAX. @ 1MHz                      |
| P2-P1 (WITH J2 AND J1 SHORT)                         | : 0.3uH MAX. @ 1MHz                      |
| 4.0 INTERWINDING CAPACITANCE: (P8,P6,P7) TO (J6,J3)  | : 30pF MAX. @ 1MHz                       |
| (P3,P2,P1) TO (J2,J1)                                | : 30pF MAX. @ 1MHz                       |
| 5.0 DC RESISTANCE: (J1-J2)                           | : 1.2 ohms Max.                          |
| (P8-P7)  | : 1.2 ohms Max.                          |
| <u>RECEIVE</u>                                       |  |
| 6.0 RETURN LOSS: 1MHz TO 30MHz                       | : -18dB MIN.                             |
| 30MHz TO 60MHz                                       | : -(19-20 LOG (f/30MHz))                 |
| 60MHz TO 80MHz                                       | : -12dB MIN.                             |
| 7.0 DIELECTRIC WITHSTAND: (J1, J2) TO (P1, P3)       | : 1500 Vrms                              |
| (J3, J6) TO (P8,P7)                                  | : 1500 Vrms                              |
| 8.0 INSERTION LOSS: RS=RL=100 ohms                   | : -1.0 dB MAX                            |
| 1MHz TO 65MHz  | : -1.1 dB MAX                            |
| 65MHz TO 100MHz                                      |  |
| 9.0 RISE TIME: RS=100 OHMS AND RL = 100 OHMS         | : 3.0 nS MAX                             |
| OUTPUT VOLTAGE = 1 V peak                            | : 3.0 nS MAX                             |
| PULSE WIDTH= 112nS                                   |  |
| 10.0 CROSS TALK: 1MHz TO 100MHz                      | : -35 dB TYP                             |
| 11.0 COMMON TO COMMON MODE ATTENUATION:              |  |
| 1MHz TO 100MHz                                       | : -45dB TYP                              |
| 100MHz TO 200MHz                                     | : -20dB MIN                              |



NOTES

- 1.0 PINS WITHOUT ELECTRICAL CONNECTION ARE OMITTED.
- 2.0 ALL RESISTORS ARE ±5% TOLERANCE.

|                |            |
|----------------|------------|
| ORIGINATED BY  | DATE       |
| Zeng Xiao Chun | 07-04-2011 |
| DRAWN BY       | DATE       |
| Zhang Ru Sheng | 07-04-2011 |

|       |  |
|-------|--|
| TITLE | <b>MagJack®</b><br>10/100BT<br>TAB DOWN SHIELDED<br>PATENTED |
|-------|--|

|                        |                |
|------------------------|----------------|
| PART NO. / DRAWING NO. | SI-60208-F     |
| FILE NAME              | SI-60208-F.DWG |

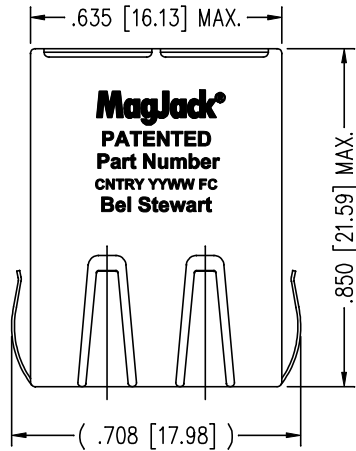
|               |                              |
|---------------|------------------------------|
| STANDARD DIM. | [ ] METRIC DIM. AS REFERENCE |
| TOL. IN INCH  | UNIT : INCH [mm]             |
| .X            | REV. : A0                    |
| .XX           | SCALE : N/A                  |
| .XXX          | SIZE : A4                    |
| ±0.005        | PAGE : 2                     |

|                              |           |
|------------------------------|-----------|
| [ ] METRIC DIM. AS REFERENCE | REV. : A0 |
| UNIT : INCH [mm]             | SIZE : A4 |
| SCALE : N/A                  | PAGE : 2  |

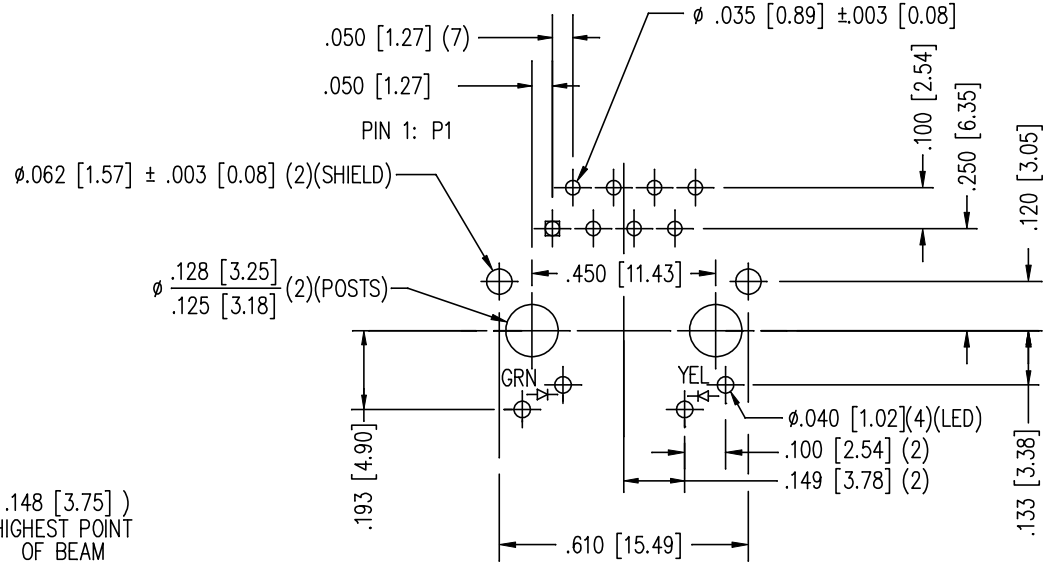
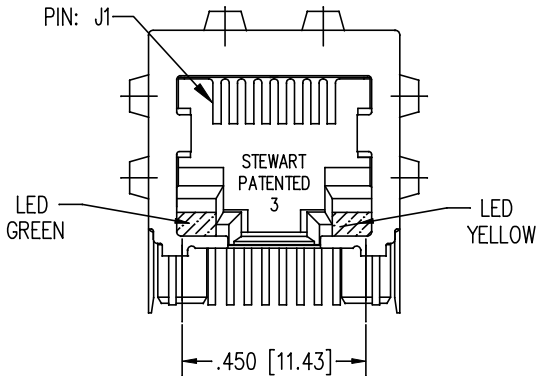


THE INFORMATION CONTAINED HEREIN IS CONSIDERED "PROPRIETARY" TO BEL FUSE INC. AND SHALL NOT BE COPIED, REPRODUCED OR DISCLOSED WITHOUT THE WRITTEN APPROVAL OF BEL FUSE INC.

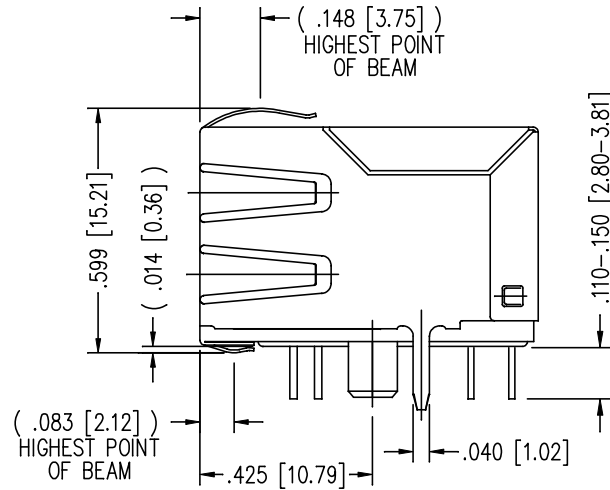
RoHS  
2002/95/EC



**MagJack**  
PATENTED  
Part Number  
CNTRY YYWW FC  
Bel Stewart



P.C.B. RECOMMENDED HOLE LAYOUT  
SEEN FROM COMPONENT SIDE  
ALL CENTERLINE DIMENSIONS ARE BASIC



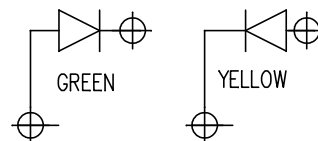
NOTES:

- CONNECTOR MATERIALS:  
HOUSING: THERMOPLASTIC UL94 V-0  
CONTACT/SHIELD: COPPER ALLOY  
SHIELD PLATING: NICKEL OR TIN  
CONTACT PLATING: SELECTIVE GOLD,  
50 MICRO-INCHES MIN. IN CONTACT AREA.
- PIN NOT ELECTRICALLY CONNECTED MAYBE OMITTED.  
SEE ELECTRICAL DRAWING FOR OMITTED PINS.
- TOLERANCES COMPLY WITH F.C.C. DIMENSION REQUIREMENTS.
- ALL TOLERANCES NOT OTHERWISE SPECIFIED TO BE ±.005 [0.13]
- REFLOW AND WAVE SOLDER COMPATIBLE -260°C FOR 10 SECONDS MAX.

| LED SPECIFICATION |            |                 |         |
|-------------------|------------|-----------------|---------|
| STANDARD LED      | WAVELENGTH | FORWARD V (MAX) | * (TYP) |
| GREEN             | 565 nm     | 2.5 V           | 2.2 V   |
| YELLOW            | 590 nm     | 2.5 V           | 2.1 V   |

\*WITH A FORWARD CURRENT OF 20 mA (TYP)

LED POLARITY DETAIL



|                |            |
|----------------|------------|
| ORIGINATED BY  | DATE       |
| Zeng Xiao Chun | 07-04-2011 |
| DRAWN BY       | DATE       |
| Zhang Ru Sheng | 07-04-2011 |

|       |   |
|-------|---|
| TITLE | <b>MagJack</b><br>10/100BT<br>TAB DOWN SHIELDED<br>PATENTED |
|-------|---|

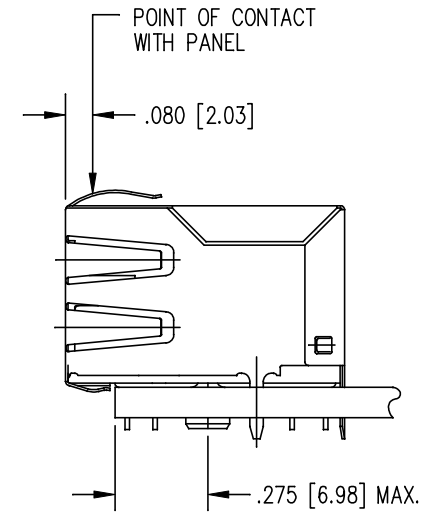
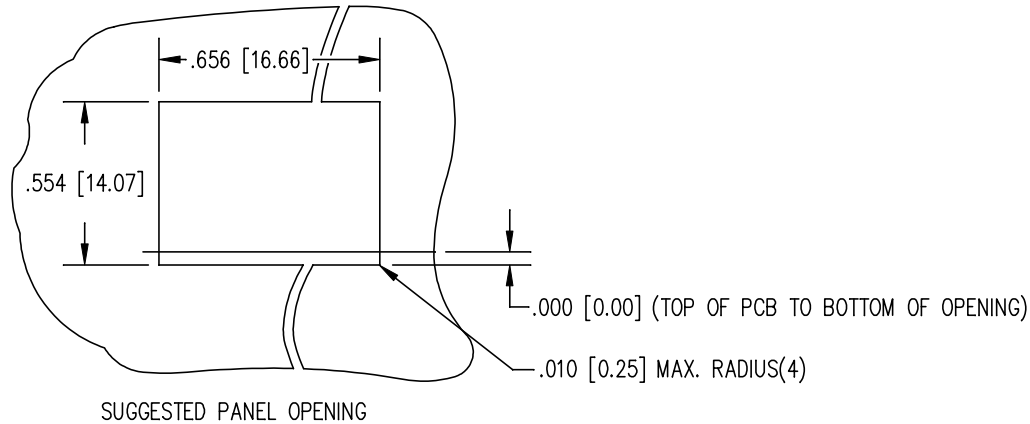
|                        |                |
|------------------------|----------------|
| PART NO. / DRAWING NO. | SI-60208-F     |
| FILE NAME              | SI-60208-F.DWG |

|               |                              |
|---------------|------------------------------|
| STANDARD DIM. | [ ] METRIC DIM. AS REFERENCE |
| TOL. IN INCH  | UNIT : INCH [mm]             |
| .X            | REV. : A0                    |
| .XX           | SCALE : N/A                  |
| .XXX          | SIZE : A4                    |
| ±0.005        | PAGE : 3                     |



THE INFORMATION CONTAINED HEREIN IS CONSIDERED "PROPRIETARY" TO BEL FUSE INC. AND SHALL NOT BE COPIED, REPRODUCED OR DISCLOSED WITHOUT THE WRITTEN APPROVAL OF BEL FUSE INC.

RoHS  
2002/95/EC



1. THE SUGGESTED PANEL OPENING IS INTENDED TO GIVE THE USER THE ABILITY TO HAVE REASONABLE JACK / PANEL CLEARANCES YET MAINTAIN RELIABLE GROUNDING CAPABILITY.
2. ALL TOLERANCES NOT OTHERWISE SPECIFIED TO BE  $\pm 0.005$  [0.13]

|                |            |  |                        |               |                              |           |
|----------------|------------|--|------------------------|---------------|------------------------------|-----------|
| ORIGINATED BY  | DATE       | TITLE  | PART NO. / DRAWING NO. | STANDARD DIM. | [ ] METRIC DIM. AS REFERENCE |           |
| Zeng Xiao Chun | 07-04-2011 | <b>MagJack®</b><br>10/100BT<br>TAB DOWN SHIELDED<br>PATENTED | SI-60208-F             | TOL. IN INCH  | UNIT : INCH [mm]             | REV. : A0 |
| DRAWN BY       | DATE       |  | FILE NAME              | .X            | SCALE : N/A                  | SIZE : A4 |
| Zhang Ru Sheng | 07-04-2011 |  | SI-60208-F.DWG         | .XX           |                              | PAGE : 4  |
|                |            |  | .XXX                   | $\pm 0.005$   |                              |           |

