

PIN NUMBER	DIM. L
25,26	3.50
ALL OTHER PINS	4.25
1, 13, 38, 50	5.00

NOTES :

- MATERIAL :  
INSULATOR : HIGH TEMPERATURE THERMOPLASTIC  
FLAMMABILITY RATING: UL94V-0  
COLOR: IVORY  
CONTACT : COPPER ALLOY  
GROUND MOUNTING EAR: COPPER ALLOY
- PLATING :  
CONTACT AREA: SELECTIVE GOLD (SEE P/N DESCRIPTION)  
UNDER PLATING: 50u" NICKEL OVERALL  
SOLDER TAIL AREA: 100u" TIN/LEAD OR 100u" MATTE TIN  
GROUND MOUNT EAR AREA: 100u" TIN/LEAD OR 100u" MATTE TIN
- SOLDERTAILS TO BE WITHIN 0.05 UPWARD  
AND 0.2 DOWNWARD FROM Z-DATUM PLACE,  
AND COPLANARITY OF SOLDER TAILS TO BE  
WITHIN 0.10mm.
- PRODUCT SPEC: GS-12-240.
- PACKAGING SPEC: GS-14-980.

Tous droits strictement reserves. Reproduction ou communication a des tiers interdite sous quelque forme que ce soit sans autorisation ecrite du propriétaire. Propriete de c FCI. Droits de reproduction FCI.

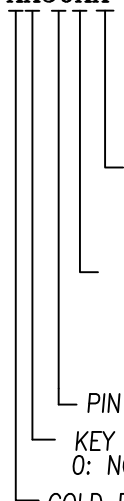


All rights strictly reserved. Reproduction or issue to third parties in any form whatever is not permitted without written authority from the proprietor. Property of FCI. Copyright FCI.

mat'l. code				tolerances unless otherwise specified		CUSTOMER COPY	FCI www.fciconnect.com	
ltr	ecn no	dr	date	linear	.X ± 0.30	projection	title	
A	T04-0429	A.C	12/16/04		.XX ± 0.20		CF HEADER TYPE II NORMAL	
B	T05-0256	A.C	11/09/05		.XXX ± 0.10	MM	S/O=0.0MM	
C	T06-0172	A.C	10/09/06	angles	0° ±2°		product family CF	
D	T09-1097	S.LIN	07/09/09	dr	ALLEN CHANG 12/16/04	scale	size dwg no	
E	T09-1113	S.LIN	09/03/09	engr	ALLEN CHANG 12/16/04		code	
F	T09-1144	S.LIN	11/27/09	chr	STERLING LIN 12/16/04	NA	sheet	
				appd	H.C LIOU 12/16/04		1 of 2	
sheet index	revision sheet	F 1	F 2			A4	10044078	

### 6.Part Number Description:

P/N: 10044078-XX50XX



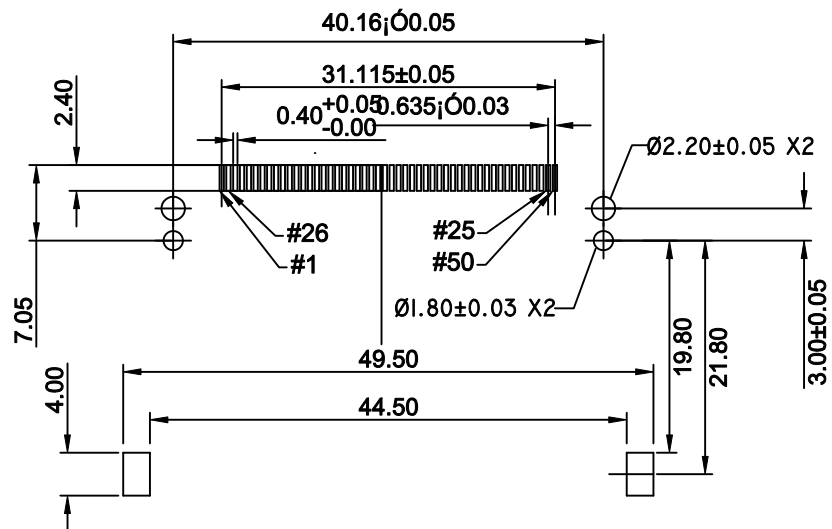
PLATING ON SOLDER TAIL AREA:  
 BLANK: 100u" TIN/LEAD.  
 LF: 100u" MATTE TIN.

BLANK: WITHOUT CAP+TRAY PACKING  
 2: WITH CAP+TRAY PACKING  
 3: WITH CAP+T&R PACKING

PIN COUNT.

KEY TYPE:  
 0: NORMAL TYPE

GOLD PLATING:  
 B: 10u" GOLD PLATE  
 E: 30u" GOLD PLATE



General Tolerance +/-0.05mm  
Recommended PCB Pattern

- 7. THE HOUSING WILL WITHSTAND EXPOSURE TO 260°C PEAK TEMPERATURE FOR 10 SECONDS IN A CONVECTION, IR OR VAPER PHASE REFLOW OVEN.
- 8. THIS PRODUCT (10053867-XXXXXLF) MEETS THE EUROPEAN UNION DIRECTIVE AS DESCRIBED IN GS-22-008.

Tous droits strictement reserves. Reproduction ou communication a des tiers interdite sous quelque forme que ce soit sans autorisation ecrite du proprietaire. Propriete de c FCI. Droits de reproduction FCI.



All rights strictly reserved. Reproduction or issue to third parties in any form whatever is not permitted without written authority from the proprietor. Property of FCI. Copyright FCI.

mat'l. code				tolerances unless otherwise specified			CUSTOMER COPY		FCI www.fciconnect.com	
ltr	ecn no	dr	date	linear	.X ± 0.30		projection	title CF HEADER TYPE II NORMAL S/O=0.0MM		
F	-	-	-		.XX ± 0.20					
					.XXX ± 0.10					
				angles	0° ± 2°		MM	product family CF		
				dr	ALLEN CHANG	12/16/04		size		TWN
				engr	ALLEN CHANG	12/16/04		dwg no		sheet
				chr	STERLING LIN	12/16/04	scale	A4		2 of 2
				appd	H.C LIU	12/16/04	NA	10044078		
sheet index	revision sheet									