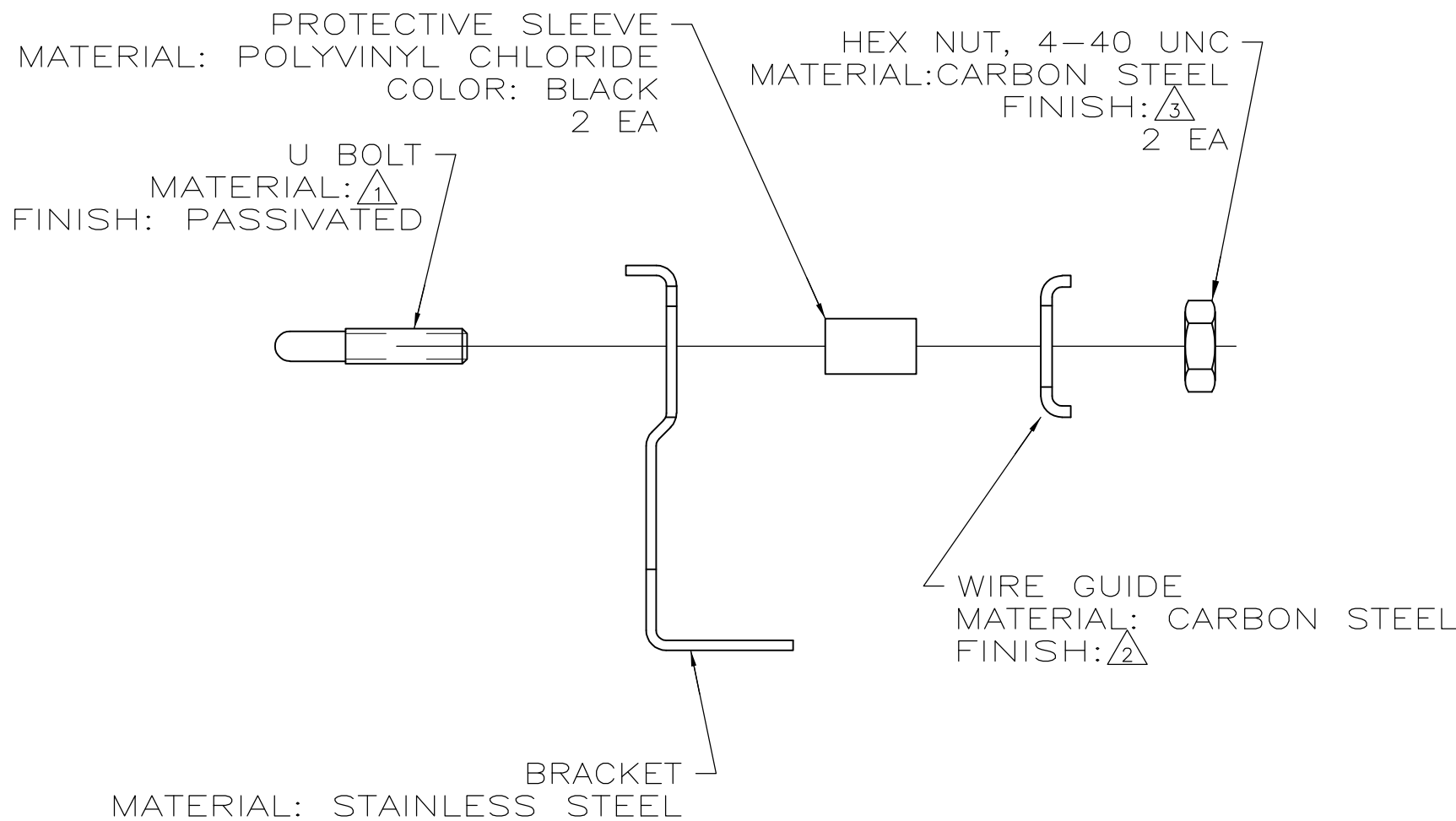
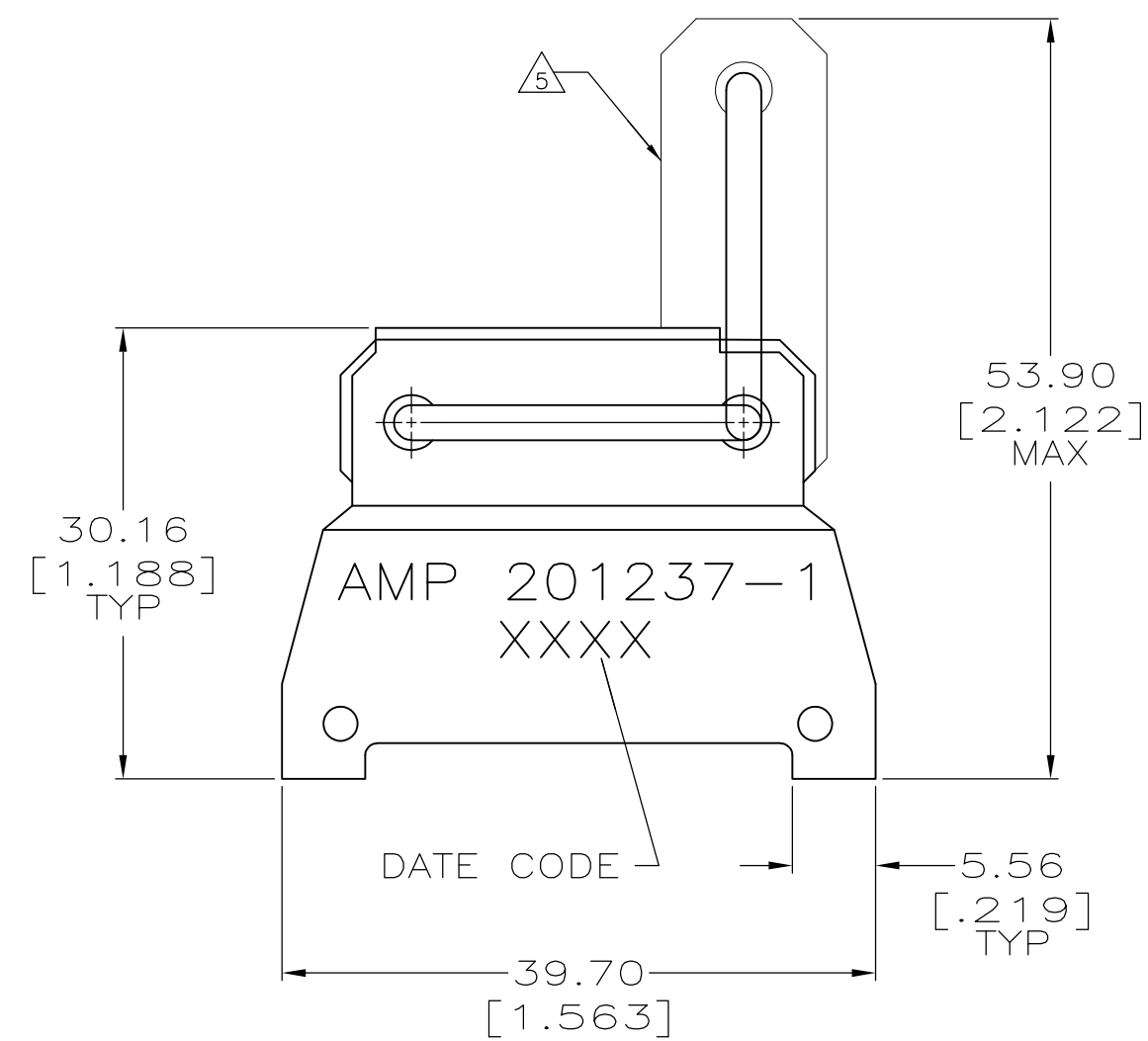
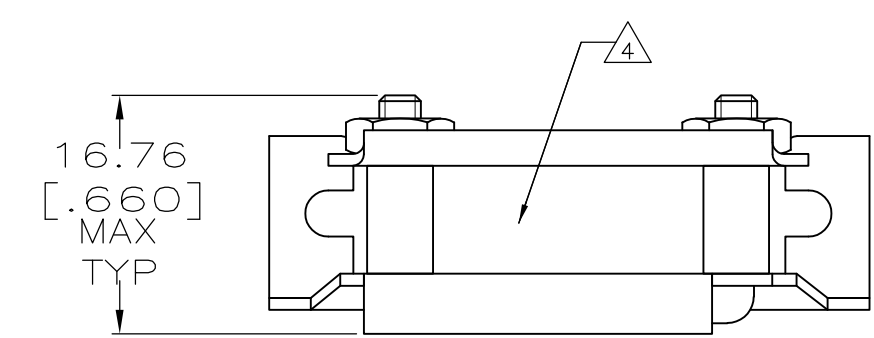


THIS DRAWING IS UNPUBLISHED. RELEASED FOR PUBLICATION
 © COPYRIGHT BY TYCO ELECTRONICS CORPORATION. ALL INTERNATIONAL RIGHTS RESERVED.

LOC	DIST	REVISIONS		
FT	0	P	LTR	DESCRIPTION
		G		REVISED PER ECO-08-031035
				DATE
				15DEC08
				DWN
				HMR
				APVD
				GS



- $\triangle 1$ STAINLESS STEEL PER QQ-S-763.
- $\triangle 2$ 5.08um[.000200] MIN NICKEL.
- $\triangle 3$ ZINC PER ASTM-B-633.
- $\triangle 4$ 161.29 SQ mm[.250 SQ IN] MAX CLAMP AREA.
- $\triangle 5$ ALTERNATE POSITION OF CABLE CLAMP FOR 90° CABLE OUTLET.



ASSEMBLED VIEW

201237-2
201237-1
PART NUMBER

THIS DRAWING IS A CONTROLLED DOCUMENT.		DWN C.REIFSNYDER 18 APR 96	Tyco Electronics Corporation Harrisburg, PA 17105-3608	
DIMENSIONS: mm [INCHES]		CHK R.STONE 24 MAY 96	NAME	
TOLERANCES UNLESS OTHERWISE SPECIFIED:		APVD G. STEINHAUER 21 JUN 96	PRODUCT SPEC	
0 PLC ± -		APPLICATION SPEC		
1 PLC ± -		SIZE		
2 PLC ± 0.38[.015]		CAGE CODE		
3 PLC ± -		DRAWING NO		
4 PLC ± -		RESTRICTED TO		
ANGLES ± -		A3 00779 C-201237		
MATERIAL SEE CALLOUTS		FINISH SEE CALLOUTS		
WEIGHT		CUSTOMER DRAWING		
SCALE		SHEET		
2:1		1 OF 1		
REV		G		