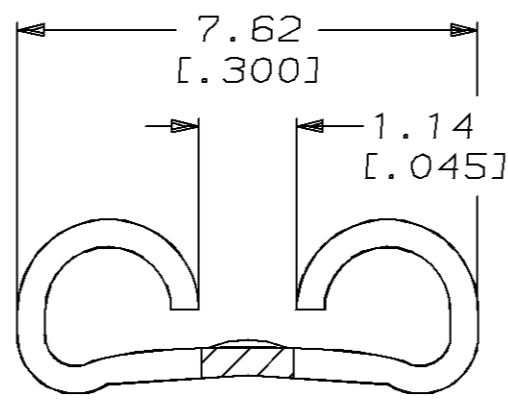
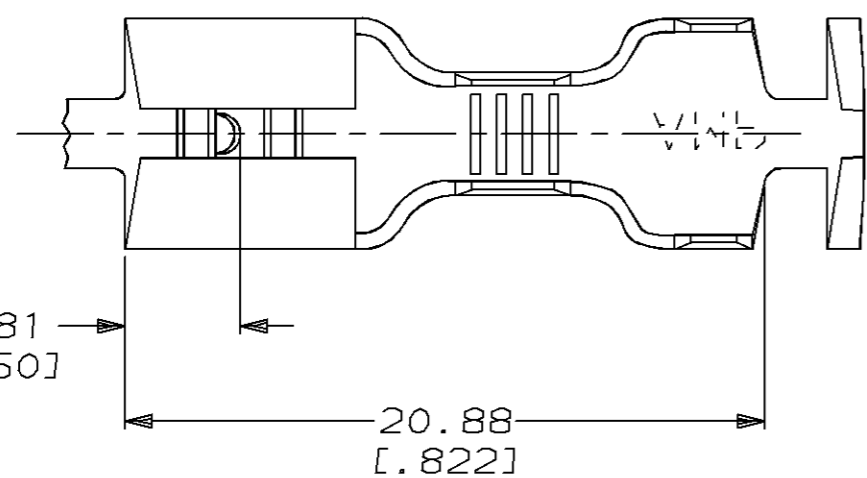
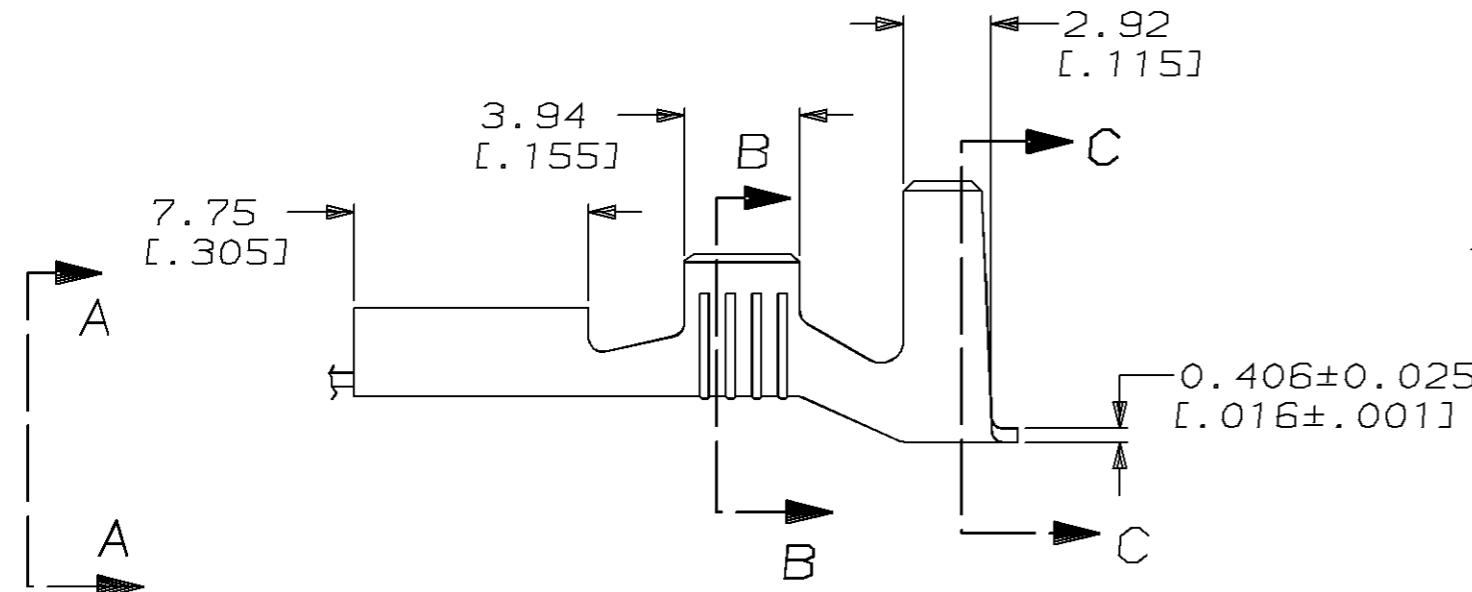


THIS DRAWING IS UNPUBLISHED. RELEASED FOR PUBLICATION, 19 .
 © COPYRIGHT 19 BY AMP INCORPORATED. ALL INTERNATIONAL RIGHTS RESERVED.

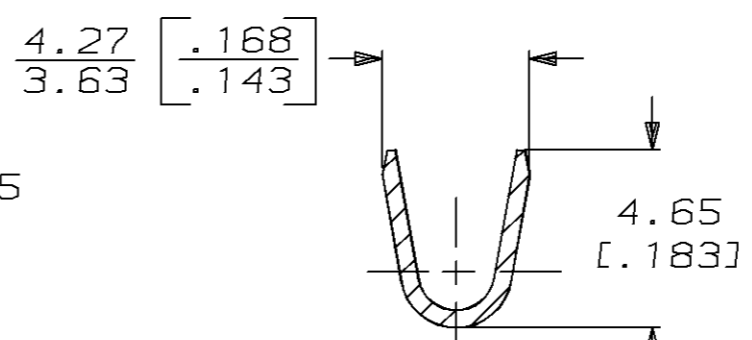
LOC	DIST	P	F	ZONE	LTR	REVISIONS	DATE	APPD
AF	50				A	REL -1 PER 0710-0107-96	3/20/96	JR/PD



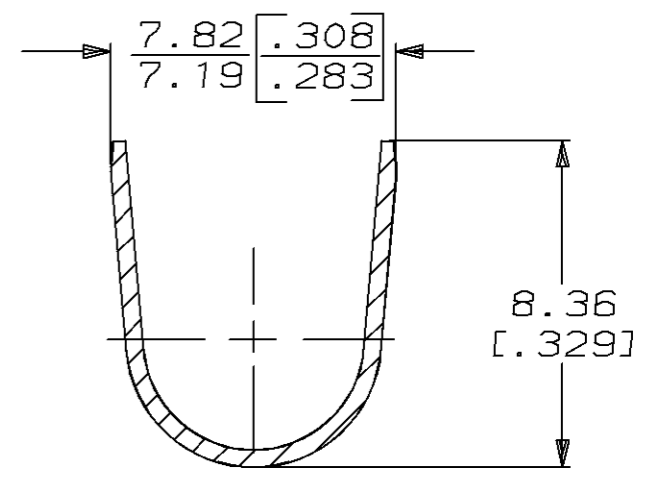
- CONTINUOUS STRIP ON REELS
- MATING TAB THK TO BE 0.81±0.025 [.032±.001].
- ACCEPTS WIRE SIZES [#16-#12] AWG.
- INSULATION RANGE IS 5.33-6.73 [.210-.265] DIA.



VIEW A-A
SCALE 8:1



SECTION B-B
SCALE 5:1



SECTION C-C
SCALE 5:1

63892-1

PART NO

DO NOT SCALE PRINT. UNLESS SPECIFIED DIMENSIONS IN mm [INCHES] TOLERANCES ON: 2 PLC DEC ± - 3 PLC DEC ± 0.25 [.010] ANGLES ± -		DR 2/23/96 JR RUTH	AMP AMP INCORPORATED Harrisburg, Pa. 17105 NAME RECEPTACLE, FASTON™ 6.35 [.250] SERIES
MATERIAL 082 STEEL		CHK 2/23/96 MS FEHER	
FINISH 0.00381 [.000150] NICKEL		APPD 2/23/96 J HUZVAR	SIZE B
		APPD 2/23/96 V KARABCIJEVSKY	CAGE CODE 00779
		PRODUCT SPEC -	DRAWING NO 63892
		APPLICATION SPEC 114-2036	SCALE 4:1
		WEIGHT -	SHEET 1 OF 1