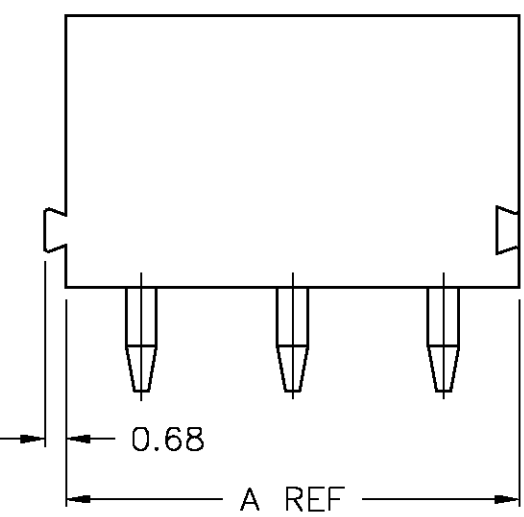
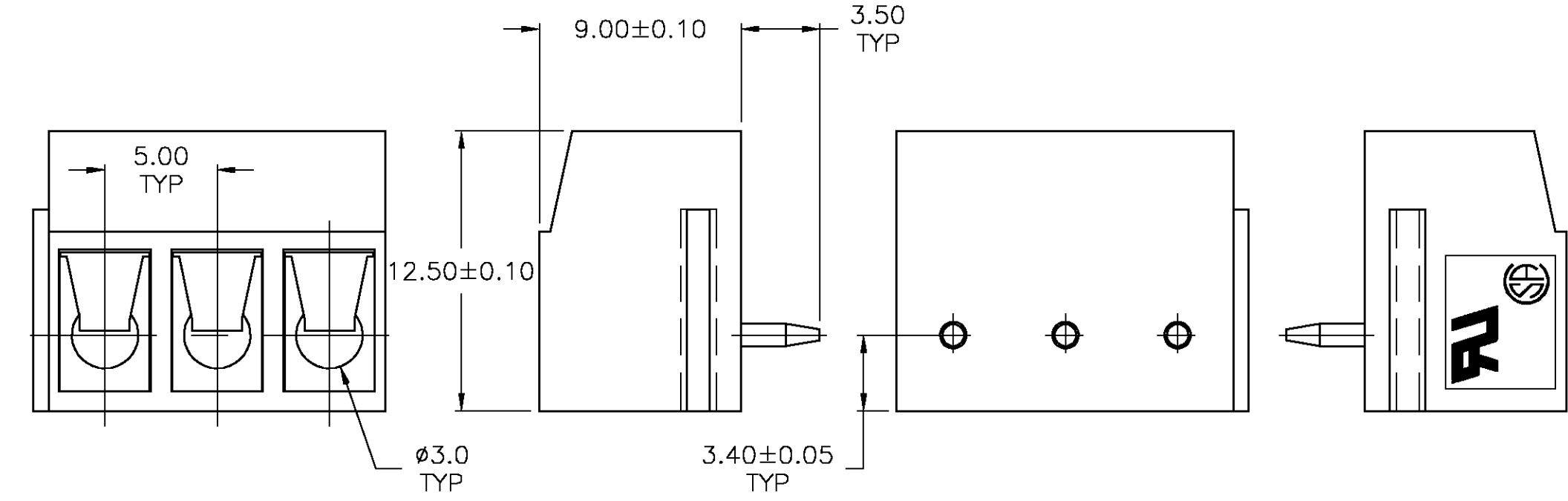
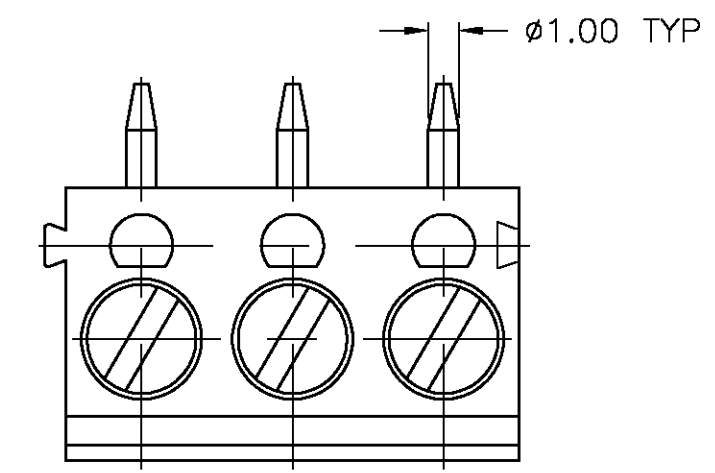


THIS DRAWING IS UNPUBLISHED. RELEASED FOR PUBLICATION  
 © COPYRIGHT BY TYCO ELECTRONICS CORPORATION. ALL RIGHTS RESERVED.

LOC	DIST	REVISIONS			
P	LTR	DESCRIPTION	DATE	DWN	APVD
FT	0	0	REVISED PER 0G3B-0201-05	5/2/05	SS CR

- NOTES:
1. ALL DIMENSIONS ARE IN MM.
  2. RECOMMENDED PC-BOARD-HOLES DIA.:  $\phi 1.20\text{MM}$  TO  $1.40\text{MM}$ .
  3. BUCHANAN LOGO TO APPEAR ON HOUSING LOCATION OPTIONAL WHERE SPACE PERMITS.
  4. PARTS TO BE WAVE SOLDER PROCESS CAPABLE UP TO  $265^{\circ}\text{C}$  FOR 10 SECONDS.

DIM. A	NO. OF POS.	PART NUMBER
120.00	24	2-1776492-4
115.00	23	2-1776492-3
110.00	22	2-1776492-2
105.00	21	2-1776492-1
100.00	20	2-1776492-0
95.00	19	1-1776492-9
90.00	18	1-1776492-8
85.00	17	1-1776492-7
80.00	16	1-1776492-6
75.00	15	1-1776492-5
70.00	14	1-1776492-4
65.00	13	1-1776492-3
60.00	12	1-1776492-2
55.00	11	1-1776492-1
50.00	10	1-1776492-0
45.00	9	1776492-9
40.00	8	1776492-8
35.00	7	1776492-7
30.00	6	1776492-6
25.00	5	1776492-5
20.00	4	1776492-4
15.00	3	1776492-3
10.00	2	1776492-2



1776492-3 AS SHOWN

THIS DRAWING IS A CONTROLLED DOCUMENT.		DWN S SCHLEGEL 5/2/05	Tyco Electronics Corporation Harrisburg, Pa 17105-3608	
DIMENSIONS: mm		CHK C RICHARD 5/2/05		
TOLERANCES UNLESS OTHERWISE SPECIFIED:		APVD C RICHARD 5/2/05	NAME TERMINAL BLOCK, TOP WIRE ENTRY, W/ INTERLOCK, 5.0mm PITCH, HIGH TEMP	
0 PLC ± - 1 PLC ± 0.3 2 PLC ± 0.25 3 PLC ± - 4 PLC ± - ANGLES ± -		PRODUCT SPEC	SIZE A3	
MATERIAL		APPLICATION SPEC	CAGE CODE 00779	DRAWING NO C-1776492
FINISH		WEIGHT	RESTRICTED TO	
		CUSTOMER DRAWING		SCALE NTS
		SHEET 1 OF 2		REV 0

THIS DRAWING IS UNPUBLISHED.

RELEASED FOR PUBLICATION

© COPYRIGHT - BY TYCO ELECTRONICS CORPORATION. ALL RIGHTS RESERVED.

LOC	DIST	REVISIONS			
P	LTR	DESCRIPTION	DATE	DWN	APVD
FT	0				
		SEE SHEET 1	-	-	-

## 1. Application and Features:

- 1-1. This is the most standard version which is an economic and reliable solution for Cable to PC-Board connection .
- 1-2. Standard sizes are 2 and 3 way-blocks, but every number of contact can be combined, by simply plugging them together and can be ordered as required\*\*
- 1-3. Holes for test-pins .
- 1-4. With wire guard for wire protection (for that the screw doesn't press directly on the wire)

## 2. Technical Data:

## 2-1. Material:

- 2-1-1. HOUSING: HIGH TEMPERATURE POLYAMIDE UL 94 V-0 (Blue).
- 2-1-2. Metal Housing: Brass(Cu Zn)  
Cu,Tin plated.
- 2-1-3. Screw: Steel galvanized and chromated.
- 2-1-4. Wire guard: Stainless steel Tin plated.

## 2-2. Electrical:

- 2-2-1. Current rating: 10 Amps/way max.

2-2-2. Contact resistance: 20mΩ (Max).

2-2-3. Insulation resistance: 5000MΩ /1000V.

2-2-4. Withstanding Voltage: 1500VAC (1min).  
test time =60sec/1pcs

2-2-5. Operation Voltage: 300 VAC.


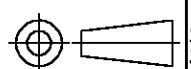
2-2-6. Wire Range: 14-22 AWG.

## 2-3. Mechanical:

2-3-1. Screw Torque: 4 Kg.cm (Max).

2-3-2. Operating temperature: -55°C to +105°C.

2-3-3. Solderability: 95% coverage (min).

THIS DRAWING IS A CONTROLLED DOCUMENT.		DWN S SCHLEGEL 5/2/05	 Tyco Electronics Corporation Harrisburg, Pa 17105-3608		
DIMENSIONS: mm		CHK C RICHARD 5/2/05	NAME C RICHARD		
		APVD C RICHARD 5/2/05	PRODUCT SPEC -		
TOLERANCES UNLESS OTHERWISE SPECIFIED:		APPLICATION SPEC -		SIZE A3	RESTRICTED TO -
MATERIAL -		FINISH -		CAGE CODE 00779	DRAWING NO C-1776492
CUSTOMER DRAWING				SCALE NTS	SHEET 2 OF 2
				REV 0	