



PRODUCT DATASHEET

Lena series

last update 26/4/2016

DETAILS

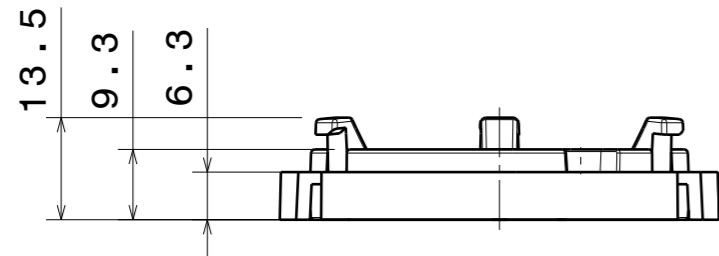
Product Number	C12692_LENA-STD-BASE-CLL040
Family	Lena
Type	Base part
Color	white
Diameter	58,64 mm
Height	13,5 mm
Style	round
Optic Material	
Holder Material	PC
Fastening	screw
Status	production ready
ROHS Compliant	Yes
Date Updated	26/04/2016



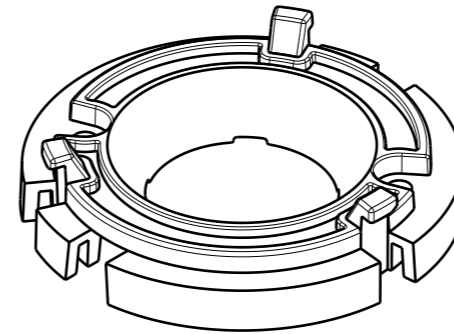
OPTICAL PROPERTIES

LED	Viewing Angle	Light Beam	Efficiency	cd/lm	Connector
CLL04x/CLU04x	N/A deg		-	-	-

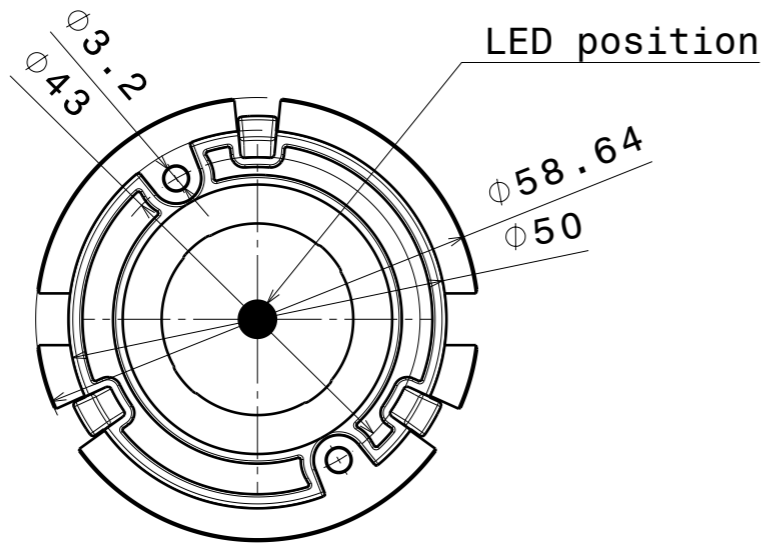
H G F E D C B A



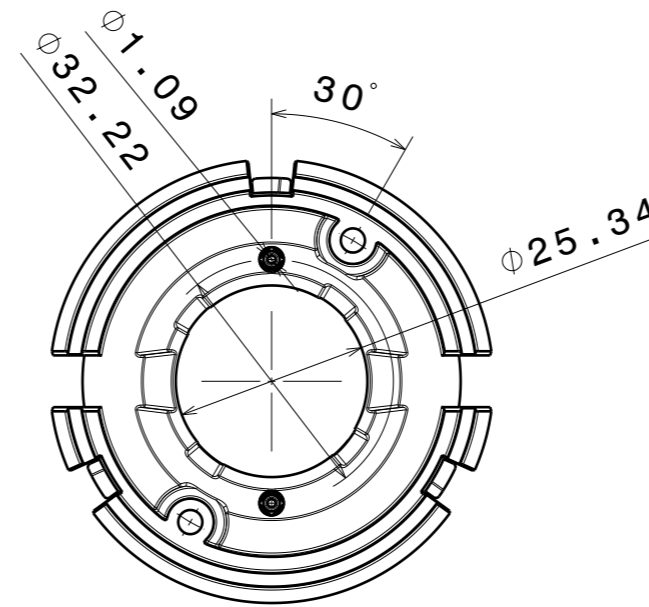
Front view



Isometric view



Top View



Bottom view

INDEX	PART NO	DESCRIPTION	MATERIAL	COLOUR
1	C12962	LENA-STD-BASE-CLL040	PC	white

Tolerances if not otherwise shown
 According to DIN ISO 2768-1
 Linear measures: class C
 According to DIN ISO 2768-2
 Form and position: class L

LEDiL LediL Oy
 Salorankatu 10
 FIN 24240 SALO
 Finland

THIRD ANGLE PROJECTION:

DRAWING TITLE
C12692_LENA-STD-BASE-CLL040

This drawing is the property of LEDiL Oy. It may not be reproduced, copied or communicated without a written agreement with LEDiL Oy.

SIZE PART NUMBER
A3 C12692

SCALE 1:1 WEIGHT 9,57 g SHEET 1/1

H G B A

NOTE: The typical divergence will be changed by different color, chip size and chip position tolerance. The typical total divergence is the full angle measured where the luminous intensity is half of the peak value.