

## Key Features

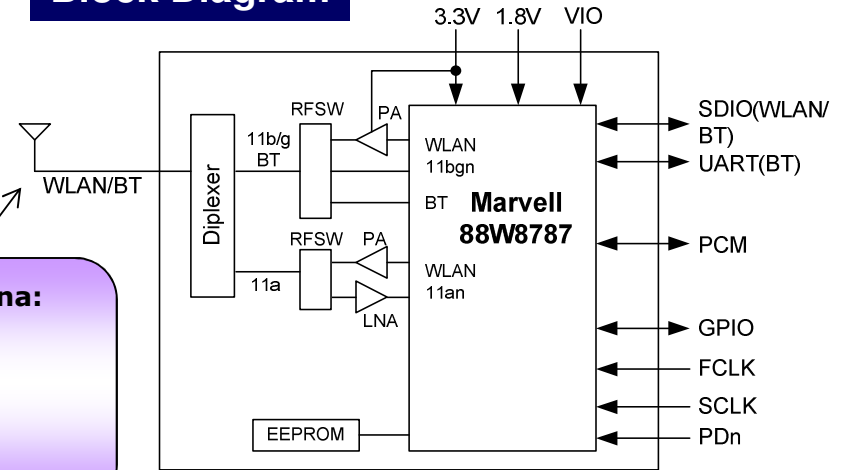
## 802.11a/b/g/n & Bluetooth

- IEEE802.11a/b/g/n standard conformity, BT3.0, 2.1+EDR
- Low standby current (with advanced power save and sleep mode)
- Transmit speed : 11/5.5/2/1 Mbps(11b), 54/48/36/24/18/12/9/6 Mbps(11a/g), 150~6.5 Mbps (11n)
- Channel Number : 1 to 13 channel (11bg), W52/W53/W56(11a), 79 channel (BT)
- Interface : SDIO, PCM
- Multi Clock support: 26, 38.4 MHz
- Built-in EEPROM, Diplexer, 2G-PA, 5G-PA, 5G-LNA
- Security: WEP (64/128), TKIP, AES, WPA/WPA2,WAPI
- Small Outline: 13.1 x 6.1 x 1.35(Max) mm
- Package: Metal case package
- Utilizes 88W8787 IC
- RoHS Conformity

## Applications

- Hand Held Device

## Block Diagram



**Recommended Antenna:**  
**AH104N2450D1-T**  
**2.4/5GHz Dual Band**

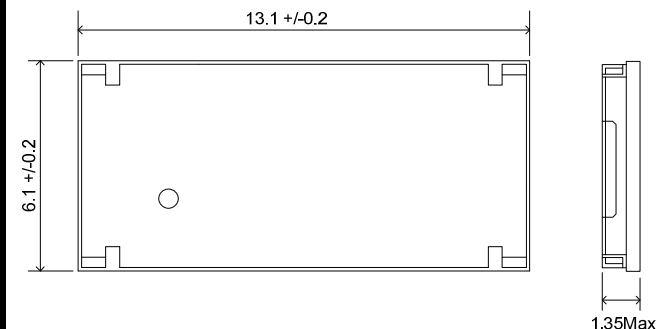


10x4x1.0mm

## General Electrical Specification

Parameter	Description	Min.	Typ.	Max.	Units
Operation Voltage	Core_3.3V	3.2	3.3	4.3	V
	Core_1.8V	1.71	1.8	1.89	V
	VIO	1.62/2.97	1.8/3.3	1.98/3.63	V
TX Output Power (11b/g/n) (11a) (BT BR)	2G:11b/11g/11n-MCS7-40M	14/13/12	16/15/14	18/17/16	dBm
	5G:11a/11n-MCS7-40M	12/11	14/13	16/15	
	BT	6	8	10	
RX Sensitivity (11b/g/n) (11a) (BT BR)	2G:11b/11g/11n-MCS7-40M		-87/-74/-67	-84/-71/-64	dBm
	5G:11a/11n-MCS7-40M		-75/-70	-72/-67	
	BT		-86	-70	
TX Power Consumption	11b/11M (Duty45%)		520		mW
RX Power Consumption	11n/MCS7-HT40		242		mW
Power Consumption	Deep Sleep Mode VIO3.3V/VIO1.8V		3.0/0.81		mW
General Operation Temperature Range		-20	25	70	deg-C

## Outline



Unit: mm

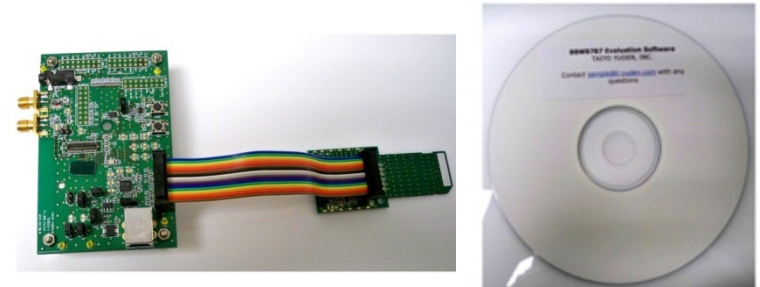
Note: The *Bluetooth*® word mark and logos are owned by the *Bluetooth* SIG, Inc. and any use of such marks by TAIYO YUDEN CO.,LTD. is under license.

## To Evaluate WLAN Module WYSBMVGXB, You Will Need WKSXXVXXX-1 and WBSBMVGXB

**WKSXXVXXX-1** is the Wireless Interface Board to be connected with RF Daughter Card **WBSBMVGXB**.

**WBSBMVGXB** is the RF Daughter Card that includes WLAN Module **WYSBMVGXB**. You will need these 2 items to evaluate WLAN module **WYSBMVGXB**.

1 WKSXXVXXX-1 includes Software CD



No	Item	Description	Qty
1	WKSXXVXXX-1	Wireless Interface Board (WIB) with SDIO interface (and connector to RF Daughter Card)	1
		Evaluation Software CD	1
2	WBSBMVGXB	RF Daughter Card includes WLAN Module WYSBMVGXB (and connector to Wireless Interface Board)	1

2 WBSBMVGXB

