

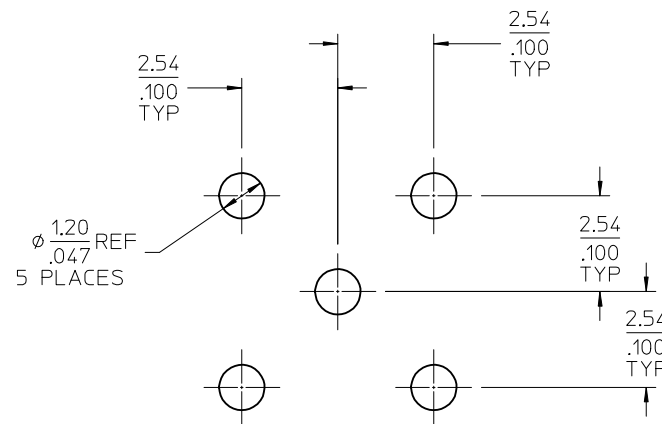
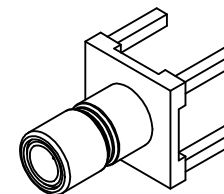
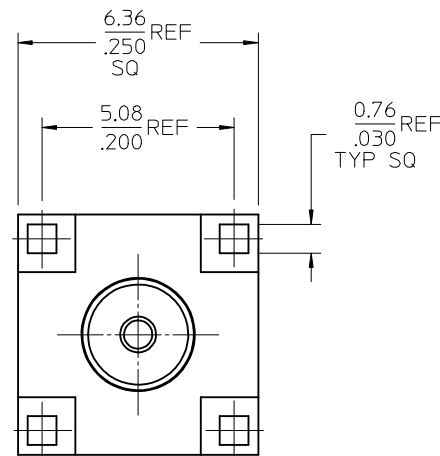
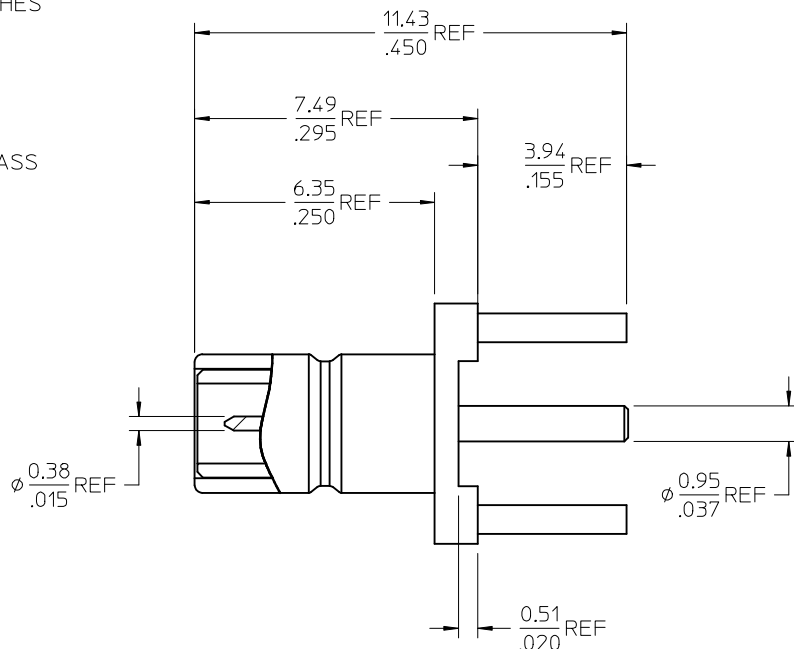
MATERIALS AND FINISHES

BODY BRASS
PLATED GOLD

CENTER CONTACT BRASS
PLATED GOLD

INSULATOR TEFLON

PACKAGING: TRAY



RECOMMENDED PCB MOUNTING HOLE

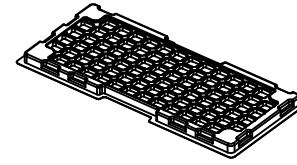
PART # 73100-0157

PS-73598-0093	PRODUCT SPECIFICATION
SPECIFICATION	DESCRIPTION

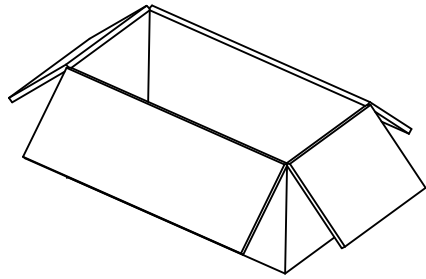
ADDED PACKAGE PER RF15-E154 IEC NO: URF2015-0511 DRW: INELIN CHKD: APPR: YCHENG 2015/03/16 2015/04/21	QUALITY SYMBOLS	GENERAL TOLERANCES (UNLESS SPECIFIED)	DIMENSION STYLE	SCALE	DESIGN UNITS	THIRD ANGLE PROJECTION														
	$\blacktriangledown = 0$ $\triangleleft = 0$	<table border="1"> <thead> <tr> <th></th> <th>mm</th> <th>INCH</th> </tr> </thead> <tbody> <tr> <td>4 PLACES</td> <td>\pm ---</td> <td>\pm ---</td> </tr> <tr> <td>3 PLACES</td> <td>\pm ---</td> <td>\pm ---</td> </tr> <tr> <td>2 PLACES</td> <td>\pm ---</td> <td>\pm ---</td> </tr> <tr> <td>1 PLACE</td> <td>\pm ---</td> <td>\pm ---</td> </tr> </tbody> </table>		mm	INCH	4 PLACES	\pm ---	\pm ---	3 PLACES	\pm ---	\pm ---	2 PLACES	\pm ---	\pm ---	1 PLACE	\pm ---	\pm ---	MM/IN	METRIC	
		mm	INCH																	
	4 PLACES	\pm ---	\pm ---																	
3 PLACES	\pm ---	\pm ---																		
2 PLACES	\pm ---	\pm ---																		
1 PLACE	\pm ---	\pm ---																		
DRAWN BY: FIELDS CHECKED BY: FIELDS APPROVED BY: FIELDS DATE: 1995/03/13 DATE: 1995/03/13 DATE: 1995/03/13	MATERIAL NO. 731000157	TITLE SMB JACK, VERTICAL PCB 75 OHMS SMB-J/PCB	MOLEX INCORPORATED	SHEET NO. 1 OF 2																
DRAFT WHERE APPLICABLE MUST REMAIN WITHIN DIMENSIONS	SIZE 	THIS DRAWING CONTAINS INFORMATION THAT IS PROPRIETARY TO MOLEX INCORPORATED AND SHOULD NOT BE USED WITHOUT WRITTEN PERMISSION																		



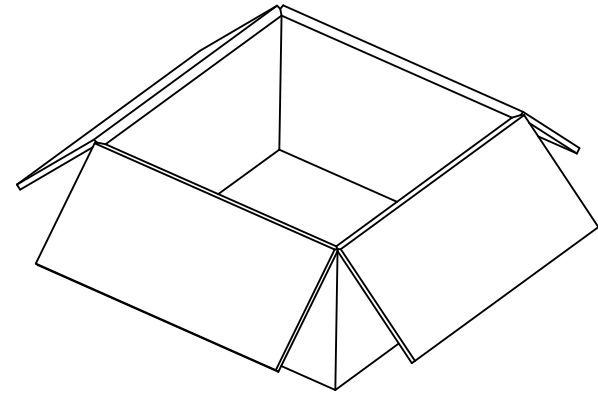
P/N: 73100-0157



80 SET PER TRAY
P/N: 89707-0190



1360 SET PER INNER CARTON BOX
P/N: 96707-0001



2720 SET PER OUTER CARTON BOX
P/N: 96708-0005

SEE SHEET 1 EC NO: URF2015-0511 DRAWN BY: DRWNLIN 2015/03/16 CHKD: APPR: YCHENG 2015/04/21	QUALITY SYMBOLS	GENERAL TOLERANCES (UNLESS SPECIFIED)		DIMENSION STYLE	SCALE	DESIGN UNITS	THIRD ANGLE PROJECTION	
		mm	INCH	MM/IN	1:5	METRIC	SMB JACK, VERTICAL PCB 75 OHMS SMB-J/PCB molex	
		4 PLACES ± --- ± ---		DRAWN BY	DATE	TITLE		
		3 PLACES ± --- ± ---		CHECKED BY	DATE			
	2 PLACES ± --- ± ---		APPROVED BY	DATE				
		1 PLACE ± --- ± ---		FIELDS 1995/03/13				
		0 PLACE ± --- ± ---		FIELDS 1995/03/13				
		ANGULAR ± 2 °		MATERIAL NO.		DOCUMENT NO.		SHEET NO.
		DRAFT WHERE APPLICABLE MUST REMAIN WITHIN DIMENSIONS		SEE SHEET 1		SD-73100-0157		2 OF 2
				SIZE		THIS DRAWING CONTAINS INFORMATION THAT IS PROPRIETARY TO MOLEX INCORPORATED AND SHOULD NOT BE USED WITHOUT WRITTEN PERMISSION		