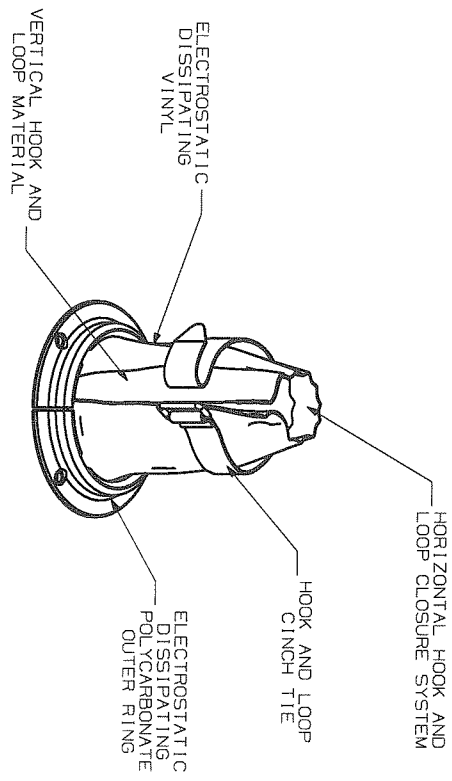
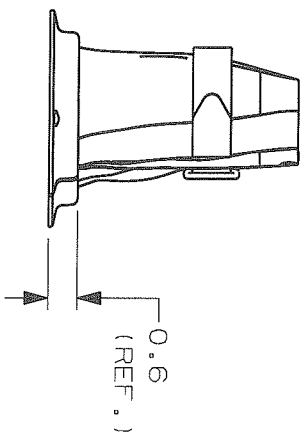
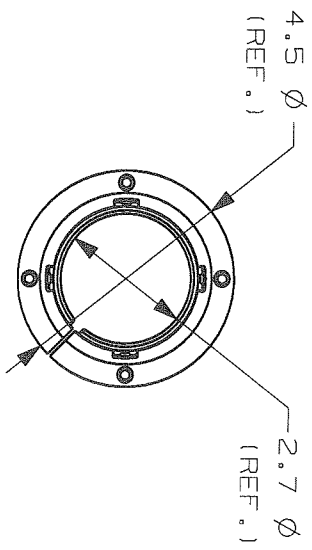


THIS COPY IS PROVIDED ON A RESTRICTED BASIS AND IS NOT TO BE USED IN ANY WAY DETRIMENTAL TO THE INTERESTS OF PANDUIT CORP.



NOTE:
 1) PRODUCT INCLUDES PHILLIPS PANHEAD SELF-DRILL SCREWS, #6 x 5/8", (QTY 4).

REV	DATE	BY	CHK	DESCRIPTION
00B	08/15/08	ARHA	<i>ARHA</i>	ADDED "Y" PART NUMBER: CHANGED REV.
R	01/18/08	ARHA		INITIAL RELEASE

DIMENSIONS IN BRACKETS ARE METRIC (mm)	
CAD FILENAME/LAYERS G03405VN_DC_GB3405VN/00B	
 CORP. TINLEY PARK, ILLINOIS	
RF G3DSM(Y) RAISED FLOOR GROMMET (SURFACE MOUNT)	
UNLESS OTHERWISE SPECIFIED, DIMENSIONAL TOLERANCES ARE: (.X) ± 0.1 (2.5) (.XXX) ± 0.010 (0.25) (.XX) ± 0.02 (0.51) ANGLES ± 5°	UNLESS OTHERWISE SPECIFIED, ALL DIMENSIONS ARE GIVEN IN INCHES, THIRD ANGLE PROJECTION.
SCALE 1 : 4	DRAWING NO. GB3405VN
DRAWN BY ARHA DATE 01/18/08 CHK'D <i>KLD</i>	MAT'L: N/A
ECN - R	CUST SUP