
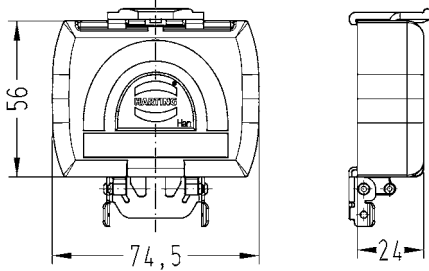

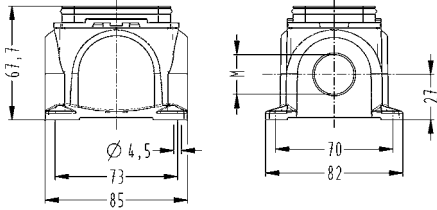



Identification	Cable entry	Part number	Drawing Dimensions in mm
<p>Han-Yellock®, Protection cover for bulkhead mounted housings, plastic</p> 		11 12 300 5401	
<p>Han-Yellock®, Surface mounted housings, incl. Housings bulkhead mounting, top entry, screw locking</p> 	<p>1xM20 1xM25 1xM32 2xM20 2xM25 2xM32</p>	<p>11 12 300 1210 11 12 300 1211 11 12 300 1212 11 12 300 1214 11 12 300 1215 11 12 300 1216</p>	
<p>Han-Yellock®, Panel feed through housings, top entry</p> 	1xM32	11 12 300 1702	