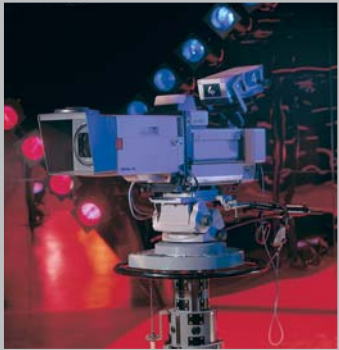


LEMO's Audio Video Connectors ●

Coax, Triax, Fiber Optic and
Hybrid Applications



2003



Expect Success. Spec LEMO®



• A Global Leader

Since its beginning in Switzerland in 1946, LEMO® has evolved into a worldwide leader in the design and manufacture of circular connectors, with products sold in more than 80 countries.

Today, LEMO offers a product line for almost any application, from medical equipment to test and measurement instrumentation.

• LEMO Means "Quality"

The name LEMO has become synonymous with quality and customer service in the connector industry, setting standards that others strive to meet. Our connectors are designed in an ISO 9001 business environment, ensuring the highest quality products for our customers.

• LEMO – We Deliver Reliability

Ask for LEMO connectors for any application where quality, safety and ruggedness are essential; where reliability is critical or where connectors are frequently engaged and disengaged, even in the toughest environments.

LEMO Connectors offer a unique combination of benefits:

Original QUICK-LOK™ push-pull, self-latching system saves space and time while ensuring durable connections.

Precision construction from machined brass, stainless steel or aluminum ensures safety and uniform mating.

Gold plated contacts assure excellent electrical performance.

Collet-type strain relief securely grips circumference of any round cable, protecting connection even under extreme stress.

Bend relief option offers additional cable protection, including color-coding for easy identification.



Custom Design

If we don't have it, we'll build it. Although we offer the most extensive product line in the industry, we understand that some application needs are unique. If we don't have exactly what you need, LEMO will design and build a connector that's just right for your application.

Cable Assembly

Expand the quality of the connector to the cable assembly with our one-stop shop value-added service. LEMO's skilled technicians build and test assemblies to your specifications.

Customer Support

Customer Support when you need it. Only LEMO offers extended customer service hours so you get technical support when you need it. LEMO's Customer Support Team includes in-house Product Specialists, plus a nationwide network of sales representatives and distributors.



● Table of Contents

General Information	LEMO's Product Line 2
	Characteristics of Primary Series 2
	LEMO's Line of Series by Types 3
	QUICK-LOK™ Push-Pull Self-Locking System 4
Audio/Video Connectors	3T Series — Coaxial and Triaxial connectors 5
	4A Series — Triaxial connectors 6
	4E Series — Triaxial connectors 7
	4M Series — Triaxial connectors 8
	REDEL® F Series — Triax push/pull for TV cameras . . 9
	Accessories for REDEL® F Series 10
	3K.93C Series for HDTV 11
	00 Series — Single fiber, fiber optic connectors . . 13
	3K and 4K Series — Multi-fiber/mixed connectors . 13
	2B–5B, 2K–5K Series — Coaxial and LV connectors 14
	0A Series — Coaxial connectors 15
	1S Series — Coaxial connectors 16
	0S and 1S Series — Triaxial connectors 17
	0B and 1B Series — 3-contact and 6-contact 18
	Quadrax — LEMO's exclusive 4-contact connectors 19
	00 Series — Screw coupling connectors 20
Patch Panels	Audio/Video and Fiber Optic Patch Panels 23
	Patch Panels for Video 24
	Patch Panels for Fiber Optic 27
	Patch Panels for HDTV Fiber Optic 27
	Patch Panels for Audio 28
Accessories	Plug caps and blanking caps 34
	Spring dust cap 35
	Bend relief 36
	Insulating washer 37
	Double panel washer 37
Fiber Optic Tooling	Polishing tool for fiber optic contacts F2 37
	Crimping tool for fiber optic contacts F1, F2, F3 & F4 . 37
	Extractor for F2 fiber optic contact 37
Fiber Optic Accessories	F2 contact alignment device instal./extract. tool . . 38
Workstation Accessories	Complete Workstation 38
	Epoxy Curling Iron 39
	Fiber Inspection Microscope 39
Tooling	Epoxy curling jig 39
	F2 contact cleaning tool 39
	Tightening tool 39
	Crimping tools 40
	Turret for male and female 2.0mm contacts 40
	Positioners 40
	Extraction tools 41
	Spanners 41
	Flat spanners 41
Reference	Recommended Cable Specifier 42
	Conversion Tables 43

LEMO's Product Line

● Connectors, accessories and tools found in this catalog.

Connectors

- Single contact from 2 to 150 Amps
- Coaxial 50 and 75 Ω
- Coaxial 50 Ω (NIM-CAMAC)
- Coaxial 50 Ω for frequency → 12 GHz
- Multicoaxial 50 and 75 Ω
- Multicontact from 2 to 106 contacts
- High Voltage 3, 5, 8, 10, 15, 30 and 50 kV dc
- Multi High Voltage 3, 5, and 10 kV dc
- Triaxial 50 and 75 Ω
- Quadrax
- Mixed: High Voltage (HV) + Low Voltage (LV)
- Mixed: Coax + LV
- Mixed: Triax + LV
- Thermocouple
- Multithermocouple
- Fiber optic single mode
- Fiber optic multimode
- Mixed: fiber optic + LV
- Mixed: fiber optic + coax + LV
- Fiber optic single mode OPTABALL®
- Fluidic
- Multifluidic
- Mixed: fluidic + LV
- Subminiature
- Miniature
- Plastic
- Printed circuit board
- Remote handling
- Watertight
- Sealed (pressure and/or vacuum)
- With plastic outer shell
- With aluminium outer shell
- With stainless steel outer shell
- With special radiation resistant insulator material
- With screw thread coupling for very high pressure
- With microswitch

Patch Panels

- For video HDTV applications: 3 coax 75 Ω + 2LV
- For fiber optic applications

Adapters

- For BNC, C, UHF, N, CINCH, GEN-RADIO connectors
- For TNC, SMA connectors

Accessories

- Insulator for crimp contacts
- Crimp contacts
- Coaxial contacts
- Triaxial contacts
- Fiber optic contacts
- Fiber optic ferrules
- Caps and bend reliefs
- Heatshrink boots
- Insulating washers
- Double plastic panel washers
- Locking washers
- Tapered washers
- Hexagonal nuts
- Conical nuts
- Round nuts
- Notched nuts
- Grounding washers
- Lead-through with cable collet

Tooling

- Wrenches
- Wrenches for assembling plug
- Assembly tool
- Pliers
- Tap
- Crimping tools
- Positioners
- Crimping dies
- Banding Tool
- Extractors
- Insertion testing tool for crimp contacts
- Fiber optic termination workstation
- Fiber optic polishing tools

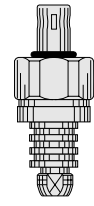
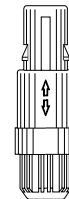
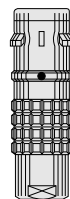
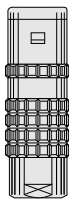
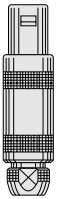
On request

- Filtered connectors
- Connectors with special alloy housing
- Mixed special connectors
- Assembly onto cable

Patch Panels

- For audio-mono applications: triax
- For audio-mono applications: 3 contacts
- For audio-stereo applications: quadrax
- For audio-stereo applications: 6 contacts
- For video applications: coax 75 Ω

Characteristics of Primary Series



Series	STANDARD	WATERTIGHT	KEYED	KEYED WATERTIGHT		PLASTIC	SCREW
	01 (Minax)	0E to 6E	00 (multicontact)	0K to 5K	0F to 5F	REDEL® 1P	03
	00 (NIM-CAMAC)	3T	0B to 5B	2N to 5N		REDEL® 2P	0V to 5V
	00 (single contact)	4M	2G/5G			REDEL® 3P	0W to 5W
	05 / R0	REDEL® F					2U to 5U
	0S to 6S						
	0A / 4A						
	1D / 2C						
	1Y-3Y-6Y						
Latching	Push-Pull						Screw
Key	Stepped insert (Half-Moon)		Key (G) or other key-way code	Key (G) or other key-way code	Key (G) or other key-way code	Key (G) or other key-way code	Key (G) or stepped insert (Half-Moon)
Shell	Metal or plastic	Metal	Metal or plastic	Metal	Metal	Plastic	Metal
Insert	Hermaphroditic or cylindrical		Cylindrical				Hermaphroditic or cylindrical
Contact	Solder or printed circuit		Solder, crimp or printed circuit				Solder (crimp or PC)

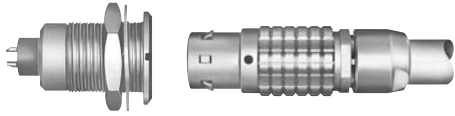
LEMO's Line of Series by Types

Note:

- = included in this catalog
- = available but not included in this catalog.

	Series	Types																			
		Single contact	Coaxial 50 Ω	Coaxial 75 Ω	Multicontact	High Voltage	Triaxial 50 Ω	Triaxial 75 Ω	Quadrax	Multi HV	Multi Coaxial	Mixed HV+LV	Mixed Coax+LV	Mixed Triax+LV	Fiber Optic	Multi FO	Mixed FO+LV	Fluidic	Multi fluidic	Mixed fluidic+LV	Thermocouple
Hermaphroditic Keying	01		●																		
	00	●	●				●								■			●			
	05					●															
	R0		●																		
	0A		●	●																	
	0S	●	●		●	●	■														●
	1S	●	●	■	●	●	■														●
	2S	●	●	●	●	●	●		●				●								●
	3S	●	●	●	●	●	●		●			●	●	●							●
	4S	●	●	●	●	●	●		●	●		●	●	●							
	5S	●	●	●	●	●	●		●	●	●	●	●	●							
	6S				●					●		●	●	●							
	1D								■												
	2C		●		●																
	4A								■												
1Y-3Y-6Y					●																
Hermaphroditic Keying — Watertight	0E	●	●		●	●	●														●
	1E	●	●	●	●	●	●														●
	2E	●	●	●	●	●	●				●		●								●
	3E	●	●	●	●	●	●		●			●	●								
	4E	●	●	●	●	●	●	■				●	●	●							
	5E	●			●					●	●	●	●	●							
	6E				●						●		●	●							
3T			■					●													
4M						●	■														
Mechanical Keying	00				●										●						●
	0B				■										●			●			●
	1B				■							●									●
	2B				●					●	●	●	■	●			●		●	●	●
	3B				●						●	●	●	■	●	●	●		●	●	●
	4B				●					●	●	●	●	■	●	●	●		●	●	●
	5B				●					●	●	●	■	●	●	●	●		●	●	●
	2G				●																
5G								●													
Mechanical Keying — Watertight	0K				●										●			●			●
	1K				●							●									●
	2K				●						●	●	■	●			●		●	●	●
	3K			●	●						●	●	■	●		●	■		●	●	●
	4K				●					●	●	●	■	●		●	■		●	●	
	5K				●					●	●	●	■	●		●			●	●	
FF to 5F				●								●									
3N to 5N				●																	
Plastic	1P to 3P				●							●	●				●				
Screw	03		●		●																
	0V	●	●		●		●														●
	1V	●	●	●	●		●														●
	2V	●	●	●	●		●	●				●									●
	3V	●	●	●	●		●	●		●		●	●								
	4V	●	●	●	●		●	●				●	●								
	5V	●			●				●	●	●	●	●								
	0W to 5W				●						●	●	●	●			●			●	●
	2U to 5U				●											●	●	●			

● QUICK-LOK™ Push-Pull Self-Latching System



LEMO's Original QUICK-LOK push-pull, self-latching system is renowned worldwide for its easy and quick mating and unmating features. It provides absolute security against vibration, shock or pull on the cable, and facilitates operation in a very limited space, and offers unique advantages for all applications:

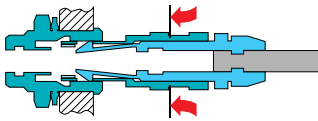
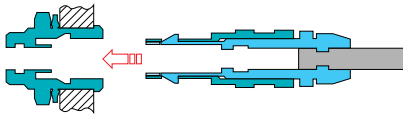
Speed – Engage connectors simply and quickly by pushing plugs axially into mating receptacles. Pull on outer shell to remove plug easily.

Space Savings – Just one finger clearance on two sides is needed to engage and disengage connectors, so there's no need to twist or turn a locking ring.

Reliability – Connections are reliable and assured when locking mechanism is engaged.

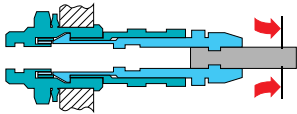
Ruggedness – Sturdy design, with sealed models to various IP levels.

How QUICK-LOK™ Works



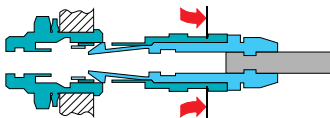
Engaging

QUICK-LOK allows the connector to be mated by simply pushing the plug straight into the receptacle.



Latched

Once firmly latched, connection cannot be broken by pulling on the cable or any other component part other than the outer release sleeve.



Disengaging

When required, the connector is disengaged by a single straight pull on the outer release sleeve. This first disengages the latches and then withdraws the plug from the receptacle.

● 3T Series — Coaxial and Triaxial Connectors (75Ω)

For TV camera applications, LEMO completes its coaxial and triaxial (75 Ω) connector range with the 3T Series. Particularly intended for outdoor use it guarantees a protection index of IP66 per IEC 529 standard (mated connectors). The 3T Series models are fully intermatable with the ULC Series size III C75 (coaxial 75 Ω) and size III TCX75 (triaxial 75 Ω).

Recommended cables

Reference	Type	Imp. (Ω)	Cable group
RG.11A/U RG.144/U RG.216/U	Coax	75±3Ω	5
Belden 9192-9232	Triax	75±3Ω	2
Belden 9267	Triax	75±3Ω	1
FMC Triax 8	Triax	75±3Ω	1
FMC Triax 11	Triax	75±3Ω	4
NEK 63990	Triax	75±3Ω	4
NOKIA Triax 8	Triax	75±3Ω	1
NOKIA Triax 11	Triax	75±3Ω	4
NOKIA Triax 14	Triax	75±3Ω	3
Triax Type A2	Triax	75±3Ω	1
Triax Type B2	Triax	75±3Ω	2
Triax Type C2	Triax	75±3Ω	3

Technical characteristics

	Coax	Triax
Impedance	75 Ω	75 Ω
Operating frequency	1.9 GHz	1.2 GHz
VSWR (f= GHz)	1.03+0.09f	1.02 + 0.15f
Contact resistance	< 2.5 m Ω	< 2.5 m Ω
Contact resistance — internal screen	—	<1.2 m Ω
Insulation resistance	>10 ¹² Ω	>10 ¹² Ω
Watertightness (IEC 529)	IP66	IP66

FFA 	
ERA 	
EBC 	
PSA 	
PCE 	
ANB 	
ASA 	

FFA Straight plug with cable collet

Part Number	Type	Cable group	Availability
FFA.3T.275.CTAY11	Coax	5	○
FFA.3T.675.CTAY92S	Triax	1	○
FFA.3T.675.CTAY11S	Triax	4	○
FFA.3T.675.CTAY13S	Triax	2	○
FFA.3T.675.CTAY17S	Triax	3	○

ERA Fixed socket, nut fixing

Part Number	Type	Weight (g)	Availability
ERA.3T.275.CTL	Coax	43.5	○
ERA.3T.675.CTL	Triax	46.0	○

EBC Fixed socket with square flange, visible shell

Part Number	Type	Weight (g)	Availability
EBC.3T.275.CTL	Coax	55.5	○
EBC.3T.675.CTL	Triax	58.0	○

PSA Fixed socket with cable collet, nut fixing

Part Number	Type	Cable group	Availability
PSA.3T.275.CTLY11	Coax	5	○
PSA.3T.675.CTLY92S	Triax	1	○
PSA.3T.675.CTLY11S	Triax	4	○
PSA.3T.675.CTLY13S	Triax	2	○

PCE Fixed socket, with cable collet

Part Number	Type	Weight (g)	Availability
PCE.3T.275.CTLU20	Coax	250	○

ANB Adapter consisting of a LEMO socket and an N socket

Part Number	Type	Weight (g)	Availability
ANB.3T.275.NTM	Coax	143	○

ASA Adapter, nut fixing, consisting of a LEMO socket and an SMA socket

Part Number	Type	Weight (g)	Availability
ASA.3T.275.CTM	Coax	51	○

The 3T Series includes other types of connectors not shown in this catalog. For the FFA.3T.675 and PSA.3T.675 the user converts a soldered external shield by adding an S to the end of the part number.

● Standard, typically 0-6 weeks delivery for quantities of 250 or less.
 ○ Non-standard product, contact LEMO USA, typically 6-12 weeks delivery for quantities of 250 or less.
 Non-standard product is defined as any product which contains one or more components which are not standard.

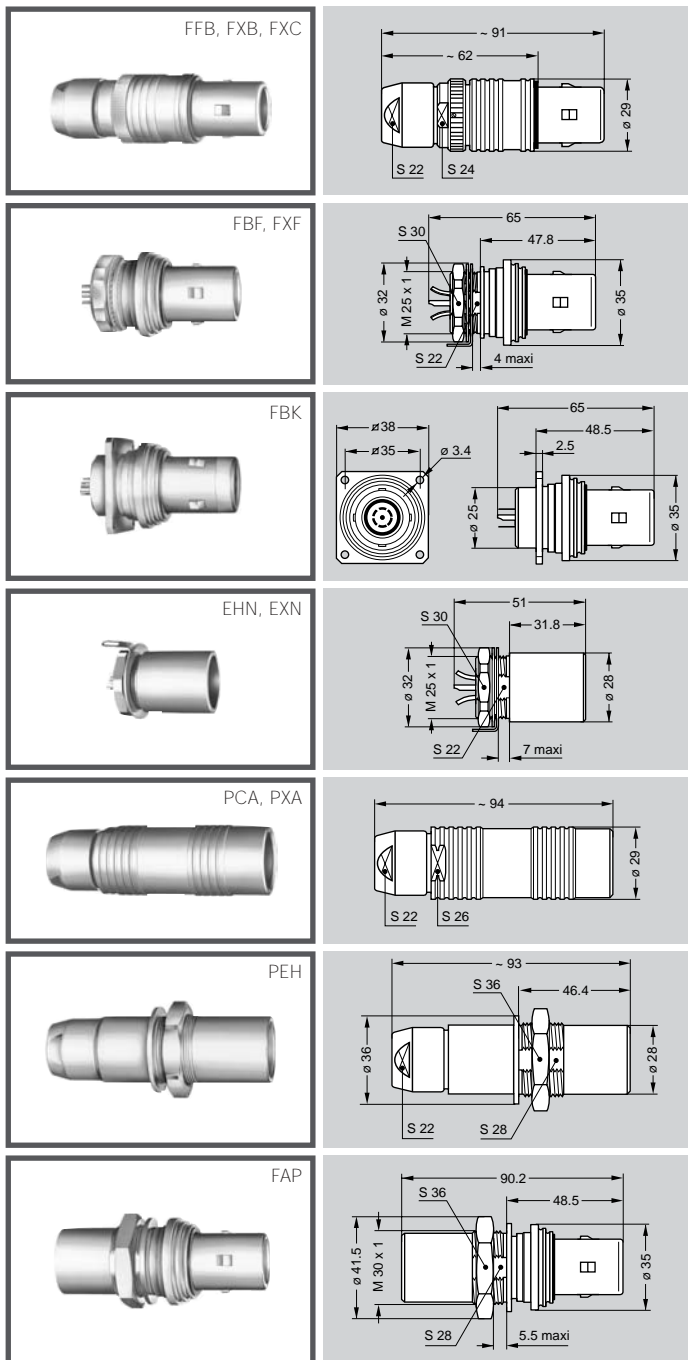
● 4A Series — Triaxial Connectors (75Ω)

For video applications, LEMO offers a range of triaxial connectors especially designed for the connection of television cameras to control equipment. 4A Series is widely used by the most manufacturers of professional video cameras. These connectors can either be used outdoors or indoors.

Technical characteristics

Impedance	75 Ω
Operating frequency	2.5 GHz
VSWR (f= GHz)	1.01±0.076 f
Center contact resistance	< 3m Ω
Contact resistance	
inner screen	< 1m Ω
Shell to shell conductivity (for models with earthing crown)	< 1m Ω
Watertightness (IEC 529)	IP61

The 4A Series includes other types of connectors not shown in this catalog. For all collet nut connectors, adding a Z to the end of the part number means there is a collet nut for mounting the cable sleeve. This series is compatible with the Kings TRI-LOC KP80 Series.



Recommended cables

Reference	Basic coaxial cable	Imp. (Ω)	Cable group
Belden 8232A	RG.59/U	75±3Ω	1
Belden 9192-9232	RG.11/U	75±3Ω	7
Belden 9267	RG.59/U	75±3Ω	3
Belden 8233A	RG.11/U	75±3Ω	6
Fujikura 4.8/1.0 EFTXF		75±3Ω	2
Fujikura 9.6/2.22 EFTXF		75±3Ω	0
GEPCO LVT 61811	RG.11/U	75±3Ω	7
MOHAWK M52479	RG.11/U	75±3Ω	7
MOHAWK M80248	RG.59/U	75±3Ω	1
MOHAWK M56301		75±2Ω	5
NOKIA Triax 8		75±3Ω	2
NOKIA Triax 11		75±3Ω	5
NOKIA Triax 11/2		75±3Ω	6
NOKIA Triax 14		75±3Ω	0
Triax Type A2		75±3Ω	9
Triax Type B2		75±3Ω	7

FFB Straight plug with safety ring and cable collet FXB FFB with earthing sleeve FXC FXB without safety ring

Part Number	Cable group	Availability
FFB.4A.675.CTCC90	9	○
FFB.4A.675.CTCC95	3	○
FFB.4A.675.CTCC85	2	○
FFB.4A.675.CTCC97	1	○
FFB.4A.675.CTCC11	5	○
FFB.4A.675.CTCC13	7	○
FFB.4A.675.CTCC14	6	○
FFB.4A.675.CTCC16	0	○

FBF Fixed plug with round flange and tag, nut fixing FXF FBF with earthing sleeve

Part Number	Weight (g)	Availability
FBF.4A.675.CTA	154	○
FXF.4A.675.CTA	154	○

FBK Fixed plug with square flange and tag, nut fixing, with earthing sleeve

Part Number	Weight (g)	Availability
FBK.4A.675.CTA	165	○

EHN Fixed socket with visible shell and tag, nut fixing EXN EHN with earthing crown

Part Number	Weight (g)	Availability
EHN.4A.675.CTL	115	○
EXN.4A.675.CTL	115	○

PCA Free socket with cable collet PXA PCA with earthing crown

Part Number	Cable group	Availability
PCA.4A.675.CTRC90	9	○
PCA.4A.675.CTRC95	3	○
PCA.4A.675.CTRC85	2	○
PCA.4A.675.CTRC97	1	○
PCA.4A.675.CTRC11	5	○
PCA.4A.675.CTRC13	7	○
PCA.4A.675.CTRC14	6	○
PCA.4A.675.CTRC16	0	○

PEH Free socket, nut fixing, round flange with earthing crown (back panel mounting)

Part Number	Cable group	Availability
PEH.4A.675.CTRC90	9	○
PEH.4A.675.CTRC95	3	○
PEH.4A.675.CTRC85	2	○
PEH.4A.675.CTRC97	1	○
PEH.4A.675.CTRC11	5	○
PEH.4A.675.CTRC13	7	○
PEH.4A.675.CTRC14	6	○
PEH.4A.675.CTRC16	0	○

FAP Fixed coupler, nut fixing, round flange with plug and socket

Part Number	Weight (g)	Availability
FAP.4A.675.CTA	238	○

Other couplers are available.

● Standard, typically 0-6 weeks delivery for quantities of 250 or less.

○ Non-standard product, contact LEMO USA, typically 6-12 weeks delivery for quantities of 250 or less.

Non-standard product is defined as any product which contains one or more components which are not standard.

● 4E Series — Triaxial Connectors (75Ω)

LEMO offers a standard connector for video-broadcast applications in the 4E Series. Designed for harsh environments, this series with non-keyed shells is designed for blind mating. The construction of the E Series, guarantees a protection index of IP 66 per IEC 529 standard (mated connectors). The rugged metal outershell provides superior protection under harsh working conditions, and offers outstanding EMC protection.

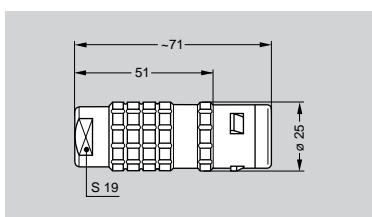
Technical characteristics

Impedance	75 Ω
Operating frequency	1.2 GHz
VSWR (f= GHz)	1.01+0.14 f
Contact resistance	< 3 m Ω
Contact resistance inner screen	< 1 m Ω
Watertightness (IEC 529)	IP 66

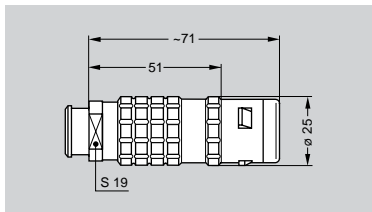
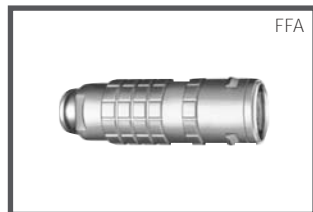
This Series includes other types of connectors not shown in this catalog. For all collet nut connectors, adding a Z to the end of the part number means there is a collet nut for mounting a bend relief. The bend relief must be ordered separately.

Recommended cables

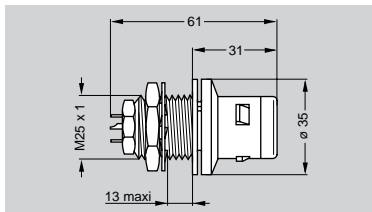
Reference	Basic coaxial cable	Cable group
Belden 8232A	RG.59/U	3
Belden 8233A	RG.11/U	7
Belden 9192-9232	RG.11/U	9
Belden 9267	RG.59/U	4
Dätwyler HF-2426	RG.59/U	3
NEK 63990		6
NEK 23860		4
NOKIA Triax 8		4
NOKIA Triax 11		6
NOKIA Triax 14		0



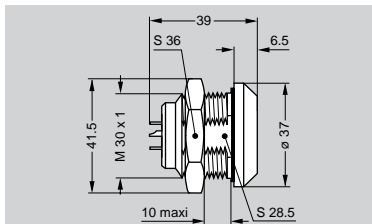
FFA Straight plug with cable collet



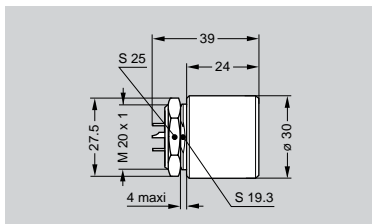
FFA Straight plug with cable collet and collet nut for fitting a strain relief



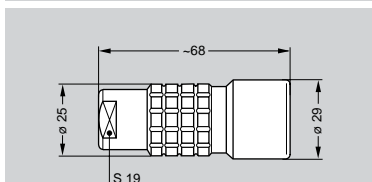
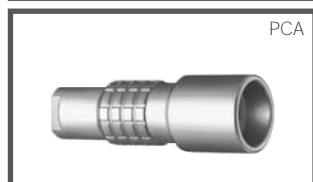
FBE Fixed plug with round flange and tag, nut fixing



ERN Fixed socket with tag, nut fixing



EHN Fixed socket with tag, visible shell, nut fixing



PCA Straight socket with cable collet

Part Number	Cable group	Availability
FFA.4E.675.CTAC80	3	○
FFA.4E.675.CTAC90	4	○
FFA.4E.675.CTAC11	6	○
FFA.4E.675.CTAC12	7	○
FFA.4E.675.CTAC13	9	○
FFA.4E.675.CTAC15	0	○

Part Number	Cable group	Availability
FFA.4E.675.CTAC80Z	3	○
FFA.4E.675.CTAC90Z	4	○
FFA.4E.675.CTAC11Z	6	○
FFA.4E.675.CTAC12Z	7	○
FFA.4E.675.CTAC13Z	9	○
FFA.4E.675.CTAC15Z	0	○

Part Number	Weight (g)	Availability
FBE.4E.675.CTA	230	○

Part Number	Weight (g)	Availability
ERN.4E.675.CTL	100	○

Part Number	Weight (g)	Availability
EHN.4E.675.CTL	80	○

Part Number	Cable group	Availability
PCA.4E.675.CTLC80	3	○
PCA.4E.675.CTLC90	4	○
PCA.4E.675.CTLC11	6	○
PCA.4E.675.CTLC12	7	○
PCA.4E.675.CTLC13	9	○
PCA.4E.675.CTLC15	0	○

● Standard, typically 0-6 weeks delivery for quantities of 250 or less.
 ○ Non-standard product, contact LEMO USA, typically 6-12 weeks delivery for quantities of 250 or less.
 Non-standard product is defined as any product which contains one or more components which are not standard.

● 4M Series — Triaxial Connectors (50 and 75Ω)

LEMO completes its range of coaxial connectors for video, with the 4M Series designed for harsh environments. This series includes triaxial (50 and 75 Ω) connectors especially developed for video cameras. With the same construction as the E Series, the 4M Series guarantees a protection index of IP66 per IEC 529 standard (mated connectors). In addition, the outer shells are provided with a mechanical key which prevents any interruption of signals due to insert rotation.

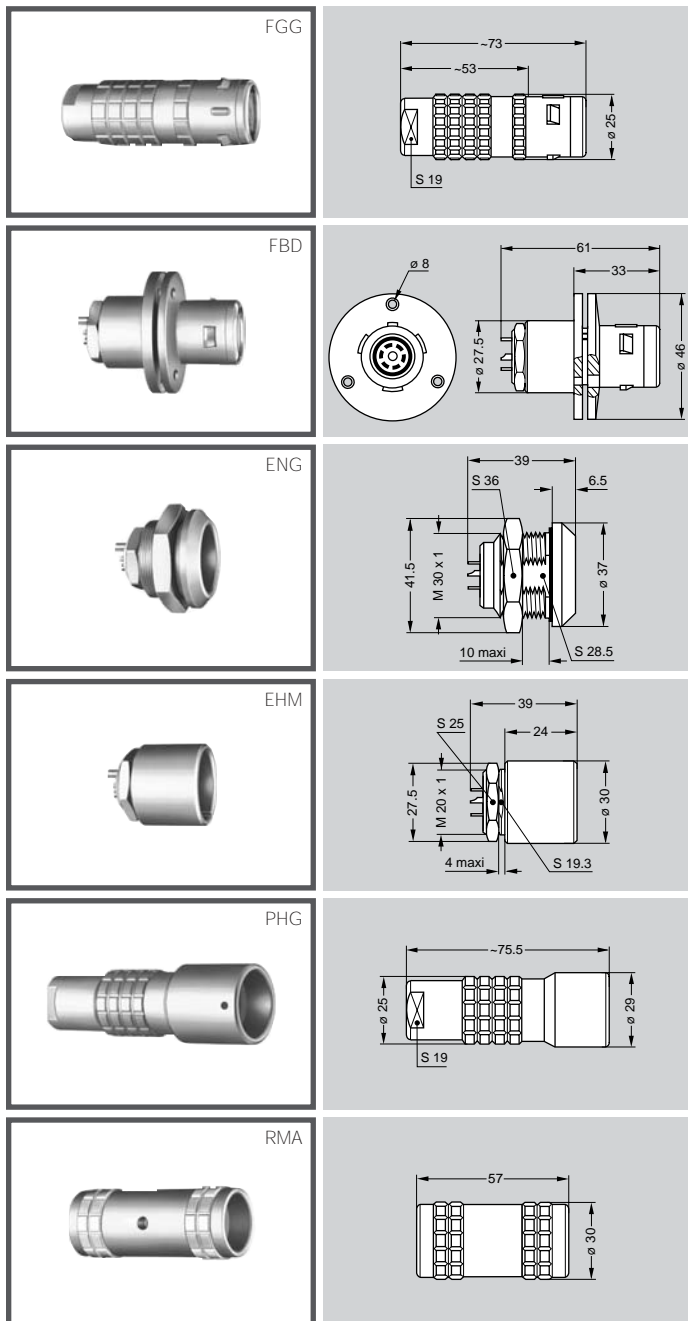
Technical characteristics

Impedance	50 Ω	75 Ω
Operating frequency	0.5 GHz	1.2 GHz
VSWR (f= GHz)	1.01+0.38f	1.01+0.14 f
Contact resistance	< 2.5 m Ω	< 3 m Ω
Contact resistance — inner screen	< 0.5 m Ω	< 1 m Ω
Watertightness (IEC 529)	IP66	IP66

This Series includes other types of connectors not shown in this catalog. For all collet nut connectors, adding a Z to the end of the part number means there is a collet nut for mounting the cable sleeve. Upon request, this type of connector can be produced to fit other cables not shown in the opposite table.

Recommended cables

Reference	Basic coaxial cable	Imp. (Ω)	Cable group
Amphenol 21.204		50±2Ω	2
Belden 8232A	RG.59/U	75±3Ω	3
Belden 8233A	RG.11/U	75±3Ω	7
Belden 9222	RG.58A/U	50±2Ω	1
Belden 9192-9232	RG.11/U	75±3Ω	9
Belden 9267	RG.59/U	75±3Ω	4
Belden 9888	RG.8/U	50±2Ω	8
Dätwyler HF-2318		50±2Ω	5
Dätwyler HF-2426	RG.59/U	75±3Ω	3
Filotex 11820		50±2Ω	2
NEK 63990		75±3Ω	6
NEK 23860		75±3Ω	4
NOKIA Triax 8		75±3Ω	4
NOKIA Triax 11		75±3Ω	6
NOKIA Triax 14		75±3Ω	0



FGG Straight plug with cable collet

Part Number	Imp. (Ω)	Cable group	Availability
FGG.4M.650.CTLC65	50	1	○
FGG.4M.650.CTLC75	50	2	○
FGG.4M.650.CTLC10	50	5	○
FGG.4M.650.CTLC12	50	8	○
FGG.4M.675.CTAC80	75	3	○
FGG.4M.675.CTAC90	75	4	○
FGG.4M.675.CTAC11	75	6	○
FGG.4M.675.CTAC12	75	7	○
FGG.4M.675.CTAC13	75	9	○
FGG.4M.675.CTAC15	75	0	○

FBD Fixed plug with round flange (screw fixing)

Part Number	Imp. (Ω)	Weight (g)	Availability
FBD.4M.650.CTL	50	230	○
FBD.4M.675.CTA	75	230	○

ENG Fixed socket with tag, nut fixing

Part Number	Imp. (Ω)	Weight (g)	Availability
ENG.4M.650.CTA	50	100	○
ENG.4M.675.CTL	75	100	○

EHM Fixed socket with tag, visible shell

Part Number	Imp. (Ω)	Weight (g)	Availability
EHM.4M.650.CTA	50	80	○
EHM.4M.675.CTL	75	80	○

PHG Straight socket with cable collet

Part Number	Imp. (Ω)	Cable group	Availability
PHG.4M.650.CTAC65	50	1	○
PHG.4M.650.CTAC75	50	2	○
PHG.4M.650.CTAC10	50	5	○
PHG.4M.650.CTAC12	50	8	○
PHG.4M.675.CTLC80	75	3	○
PHG.4M.675.CTLC90	75	4	○
PHG.4M.675.CTLC11	75	6	○
PHG.4M.675.CTLC12	75	7	○
PHG.4M.675.CTLC13	75	9	○
PHG.4M.675.CTLC15	75	0	○

RMA Straight coupler

Part Number	Imp. (Ω)	Weight (g)	Availability
RMA.4M.675.CTM	75	148	○

● Standard, typically 0-6 weeks delivery for quantities of 250 or less.

○ Non-standard product, contact LEMO USA, typically 6-12 weeks delivery for quantities of 250 or less.

Non-standard product is defined as any product which contains one or more components which are not standard.

● REDEL® F Series — Triax push-pull connectors for TV cameras

The REDEL® F Series is a range of self-latching triax connectors specifically designed for TV cameras. The design of these connectors is particularly compact, they are easy to assemble and have an excellent electrical performance. They are fully intermatable with the 1051 A004 Series.

Electrical characteristics

Impedance	75 Ω
VSWR (0-500 MHz) ¹⁾	≤ 1.15
VSWR (0-1000 MHz) ¹⁾	≤ 1.20
Test voltage central contact/screen	2.9 kVAC
Test voltage screen/external screen	1.9 kVAC
Rated current	12 A
Contact resistance	< 3 m Ω
Contact resistance/internal screen	< 1.5 m Ω
Electrical continuity of the screen	< 1.5 m Ω
Insulation resistance	> 10 ¹² Ω
Watertightness (IEC 529)	IP 66

¹⁾ Tests carried out with FAZ and FNZ models and a Triax 11 group 4 cable.

FAZ		
FAZ		
FBZ		
FCZ		
FEZ		
FNZ		

Recommended cables

Reference	Cable group	Reference	Cable group
Triax Type A2	3	FMC Triax 8	2
Triax Type B2	7	FMC Triax 11	4
BEDEA Superflex triax 8	2	FMC Triax 14	8
BEDEA Superflex triax 11	4	Fujikura 4.8/1.0 EFTXF	3
BEDEA Superflex triax 14	8	Fujikura 9.6/2.22 EFTXF	8
Belden 8232A	1	Hirakawa Triax 4.8/1.0	2
Belden 8233A	5	NOKIA Triax 8	2
Belden 9192	7	NOKIA Triflex 8	2
Belden 9232	7	NOKIA Triax 11	4
Belden 9267	3	NOKIA Triflex 11	4
NEK 23860	2	NOKIA Triax 11/2	6
NEK 63990	4	NOKIA Triax 14	8

FAZ Straight plug with cable collet

Part Number	Cable group	Availability
FAZ.T75.FTCC85C	1	○
FAZ.T75.FTCC86C	2	○
FAZ.T75.FTCC90C	3	○
FAZ.T75.FTCC11C	4	○
FAZ.T75.FTCC12C	5	○
FAZ.T75.FTCC13C	6	○
FAZ.T75.FTCC14C	7	○
FAZ.T75.FTCC15C	8	○

FAZ Straight plug with cable collet and nut for fitting a bend relief

Part Number	Cable group	Availability
FAZ.T75.FTCC85CZ	1	○
FAZ.T75.FTCC86CZ	2	○
FAZ.T75.FTCC90CZ	3	○
FAZ.T75.FTCC11CZ	4	○
FAZ.T75.FTCC12CZ	5	○
FAZ.T75.FTCC13CZ	6	○
FAZ.T75.FTCC14CZ	7	○
FAZ.T75.FTCC15CZ	8	○

FBZ Straight plug with cable collet and safety nut

Part Number	Cable group	Availability
FBZ.T75.FTCC85C	1	○
FBZ.T75.FTCC86C	2	○
FBZ.T75.FTCC90C	3	○
FBZ.T75.FTCC11C	4	○
FBZ.T75.FTCC12C	5	○
FBZ.T75.FTCC13C	6	○
FBZ.T75.FTCC14C	7	○
FBZ.T75.FTCC15C	8	○

FCZ Fixed plug with cable collet, nut fixing

Part Number	Cable group	Availability
FCZ.T75.FTCC85C	1	○
FCZ.T75.FTCC86C	2	○
FCZ.T75.FTCC90C	3	○
FCZ.T75.FTCC11C	4	○
FCZ.T75.FTCC12C	5	○
FCZ.T75.FTCC13C	6	○
FCZ.T75.FTCC14C	7	○
FCZ.T75.FTCC15C	8	○

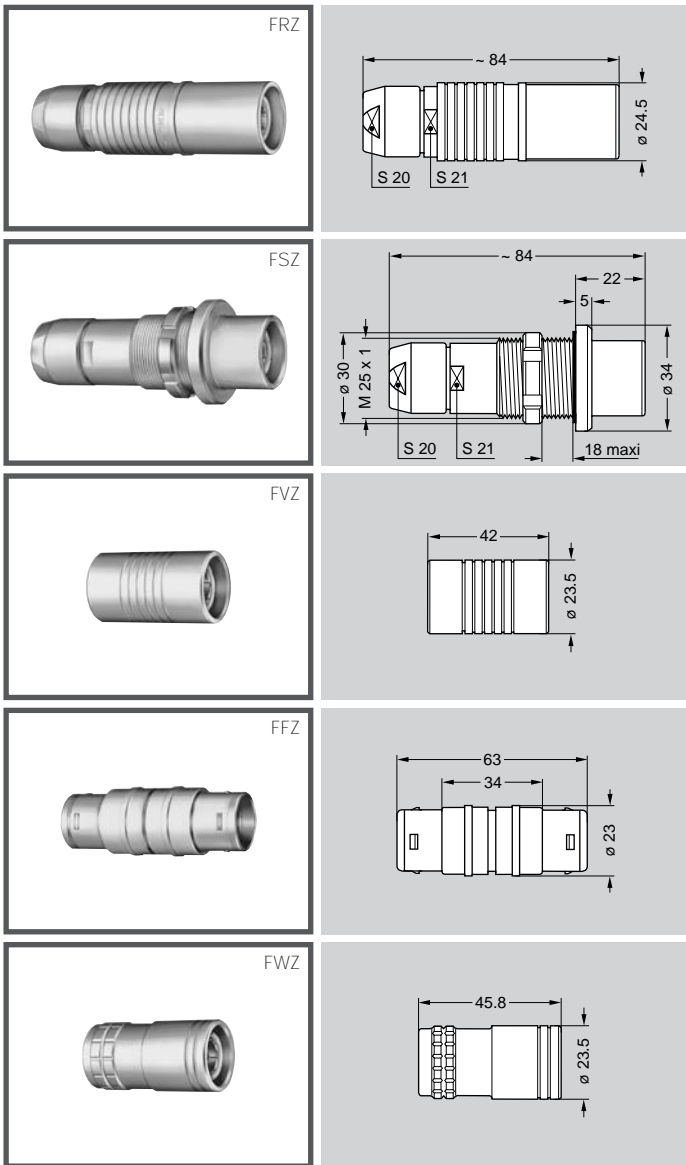
FEZ Fixed plug, nut fixing

Part Number	Cable group	S1	Availability
FEZ.T75.FTC39C	1	12	○
FEZ.T75.FTC49C	2-3	12	○
FEZ.T75.FTC67C	4-6	12	○
FEZ.T75.FTC84C	5-7	13	○
FEZ.T75.FTC99C	8	13	○

FNZ Fixed socket, nut fixing, visible shell

Part Number	Cable group	S1	Availability
FNZ.T75.FTM39C	1	12	○
FNZ.T75.FTM49C	2-3	12	○
FNZ.T75.FTM67C	4-6	12	○
FNZ.T75.FTM84C	5-7	13	○
FNZ.T75.FTM99C	8	13	○

● Standard, typically 0-6 weeks delivery for quantities of 250 or less.
 ○ Non-standard product, contact LEMO USA, typically 6-12 weeks delivery for quantities of 250 or less.
 Non-standard product is defined as any product which contains one or more components which are not standard.


FRZ Free socket with cable collet

Part Number	Cable group	Availability
FRZ.T75.FTMC85C	1	○
FRZ.T75.FTMC86C	2	○
FRZ.T75.FTMC90C	3	○
FRZ.T75.FTMC11C	4	○
FRZ.T75.FTMC12C	5	○
FRZ.T75.FTMC13C	6	○
FRZ.T75.FTMC14C	7	○
FRZ.T75.FTMC15C	8	○

FSZ Fixed socket with cable collet, nut fixing, visible shell

Part Number	Cable group	Availability
FSZ.T75.FTMC85C	1	○
FSZ.T75.FTMC86C	2	○
FSZ.T75.FTMC90C	3	○
FSZ.T75.FTMC11C	4	○
FSZ.T75.FTMC12C	5	○
FSZ.T75.FTMC13C	6	○
FSZ.T75.FTMC14C	7	○
FSZ.T75.FTMC15C	8	○

FVZ Free coupler

Part Number	Weight (g)	Availability
FVZ.T75.FTS	80	○

FFZ Straight coupler with two plugs

Part Number	Weight (g)	Availability
FFZ.T75.FTE	86	○

FWZ Adapter from REDEL socket to LEMO 3T.675 socket

Part Number	Weight (g)	Availability
FWZ.T75.FTS	76	○

Inner screen fixing

For all the models the letter «C» added to the end of the part number means a clamped inner screen.
 For all the models with cable collet, (FAZ, FBZ, FCZ, FRZ and FSZ) the letter «E» added to the end of the part number means a crimped inner screen.
 For all the models without cable collet (FEZ and FNZ), the letter «S» added to the end of the part number means a soldered inner screen.

ACCESSORIES


FGA Bend relief with cap for plug

Part Number	Weight (g)
FGA.085.145.EN	51

This bend relief with cap can only be installed onto a plug FAZ fitted with a nut for bend relief.

Cut	Cable ø (mm)	
	min.	max.
-	8.4	10.7
A	10.8	12.7
B	12.8	14.1
C	14.2	16.0


FGR Bend relief with cap for free socket

Part Number	Weight (g)
FGR.085.145.EN	49

Cut	Cable ø (mm)	
	min.	max.
-	8.4	10.7
A	10.8	12.7
B	12.8	14.1
C	14.2	16.0

● Standard, typically 0-6 weeks delivery for quantities of 250 or less.
 ○ Non-standard product, contact LEMO USA, typically 6-12 weeks delivery for quantities of 250 or less.
 Non-standard product is defined as any product which contains one or more components which are not standard.

● 3K.93C Series — Fiber Optic HDTV Interconnection System with code (W) keyway

A new range of high performance fiber optic camera connectors have been developed to meet the needs of the new generation of digital TV cameras. The use of fiber optics means that transmission can be made over much longer distances using digital signals from the camera to the base station and at a much higher level of definition. However, the performance of the interconnection is critical if this benefit is to be fully exploited.

- **Push-Pull self-latching system for quick & easy mating**
- **Compact design with: 2 fibers, 2 power contacts and 2 signal contacts**
- **Very low optical losses (< 0.10 dB)**
- **Tested to the requirements of IEC 61300**
- **Easy cleaning of fiber optic contacts**
- **Reliable design for outdoor application**
- **Sealed for environmental protection (IP 68)**
- **Unique 5 keys (code W) system allowing smooth and blind mating**
- **HEAVY DUTY line with stainless steel shell**
- **UL 498 recognition**
- **TÜV EC conformity**
- **Complies with standards:**
ARIB (Japan) - ANSI/SMPTE (USA) - EBU (Europe)
- **In-line connectors for "daisy" chaining of cables**
- **Pre-terminated cables available**
- **Worldwide product support**

The LEMO TV Camera connectors use the new F2 type Fiber Optic contact. This contact uses ceramic technology ferrule in order to achieve optical performance of the highest standard. Its main features are as follows:

- Ceramic ferrule with spherical end for high performance
- Simple and fast polishing ensuring physical contact of the fiber endfaces
- After termination, the contact is simple to install into the main connector insert
- The same basic contact is used in all of the connector models shown on the next page. When used within a socket insulator, the alignment device is simply clipped onto the front of the Fiber Optic contact
- The alignment device can be easily removed in order to clean the fiber endface.

Electrical characteristics / Electrical contacts

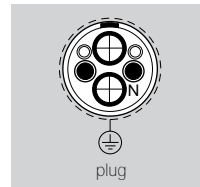
	Power	Signal
Number of contacts	2	2
Contact type for plugs	male	female
Male contact ø	1.3 mm	0.9 mm
Contact type	crimp	crimp
Conductor AWG min.	18	24
Conductor AWG max.	14	20
Working Voltage max.	≤ 600 V rms	≤ 42 V rms
Test Voltage	2250 V rms	1000 V rms
Rated current	10 A	3 A
Contact resistance	< 4 mΩ	< 5 mΩ
Shell to shell conductivity	< 5 mΩ	
Insulation resistance	> 10 ⁹ Ω	

Technical characteristics / fiber optic contacts

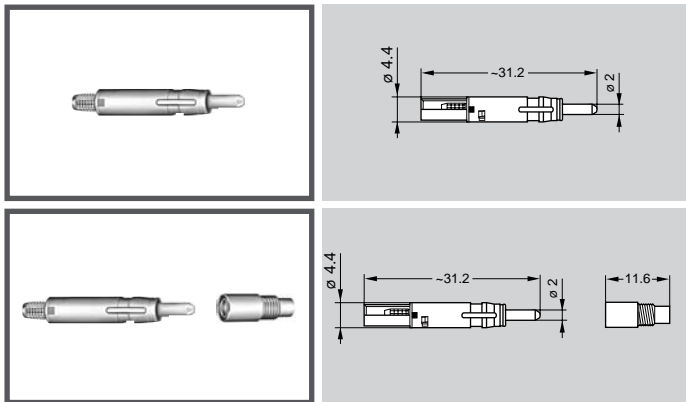
Number of contacts	2
Type of contact	F2
Fiber core/cladding ø	s.m. 9/125 µm
Ferrule bore inside ø	125 µm ⁴⁾
Mean insertion loss	0.10 dB ¹⁾
Return loss	< -45 dB ²⁾ , < -28 dB ³⁾

General characteristics

Cable retention force	> 1000 N
Endurance: Brass+Cr	10000 cycles
Endurance: St. steel	30000 cycles
Drop test	2 m
Shock	100 g, 10-50 ms
Vibration	7 cycles (20-2000Hz)
Temperature	-40° C, +80° C
Temperature cycling	-55° C, +90° C
Humidity	up to 95% at 60° C
Water resistance	Depth of 1.8 m for 48 hours
Corrosion	48 hours, 5% salt water test



- 1) tested at 1300 nm in accordance with IEC 61300-03-04 method B.
- 2) super PC machine polishing.
- 3) hand polishing.
- 4) other ferrule bore diameters available



FFS Male F2 fiber optic contact

Part Number	For models	Availability
FFS.F2.BA2.LCT10	PHW, PEW, PBW, PUW	○
FFS.F2.BA2.LCE30	EDW, ENW, EBW	○

PSS Female F2 fiber optic contact

Part Number	For models	Availability
PSS.F2.BA2.LCT10	FGW, FMW, FUW	○
PSS.F2.BA2.LCE30	FXW	○

F.O. contacts must be ordered separately. See the table above for ordering information.

The (•) in the part number below is to be replaced by the chosen shell material code (C= chrome-plated brass; T= stainless steel). For all collet nut connectors, adding a Z to the end of the part number means there is a collet nut for mounting the cable bend.

The last letter of the bend relief part number indicates the color (N= black). For the other colors, please refer to the page 37 table. The bend relief must be ordered separately.

Bend relief

Bend relief with cap

Recommended cables

Part Number	Cable group	Availability
GMA.3B.080.DN	1	●
GMA.3B.090.DN	2-4	●
GMA.4B.011.DN	3	○

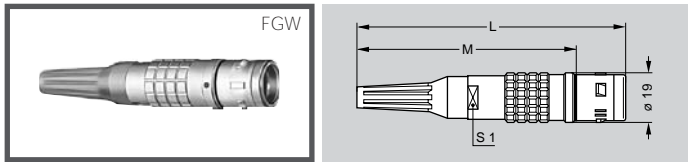
Part Number	For models	Cable group	Availability
GMF.3K.085.EANZ	FUW	2-4	○
GMP.3K.085.EANZ	PUW		○
GMF.3K.265.RG/N/R/V	Colored ring		○

Cable group	Type	Utilisation	Sheath outer diameter
1	2SM-8.6-37.5	Standard	8.6 ± 0.3
2	2SM-9.2-37.5	Standard	9.2 ± 0.3
3	2SM-12-15	Long distances	12.0 ± 0.4
4 ¹⁾	2SM-16-37.5	Studio	16.0 ± 0.5

¹⁾ The outer jacket shall be removed for assembly.

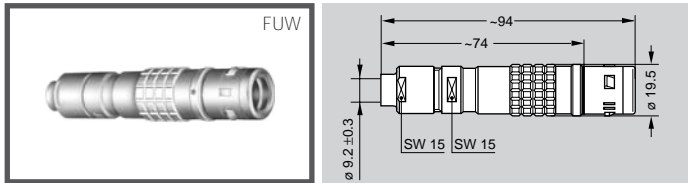
● Standard, typically 0-6 weeks delivery for quantities of 250 or less.
 ○ Non-standard product, contact LEMO USA, typically 6-12 weeks delivery for quantities of 250 or less.
 Non-standard product is defined as any product which contains one or more components which are not standard.

See detail on page 37.



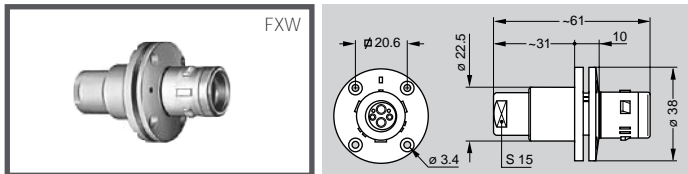
FGW Straight plug with key (code W), cable adapter and nut for fitting a bend relief

Part Number	Cable gr.	Dim. (mm)			Availability
		L	M	S1	
FGW.3K.93C.CLMT90Z	1	101	81	15	○
FGW.3K.93C.CLMT96Z	2-4	101	81	15	●
FGW.3K.93C.CLMT12Z	3	135	115	20	○



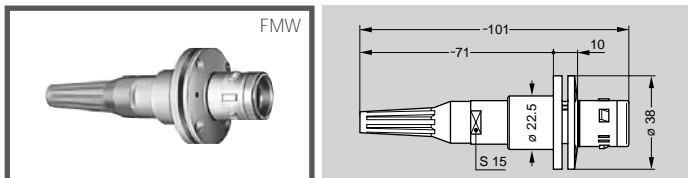
FUW Straight plug with key (code W), cable collet adapter and long shell for fitting a bend relief with cap (with enhanced screen efficiency)

Part Number	Cable group	Availability
FUW.3K.93C.●LMC96	2-4	○



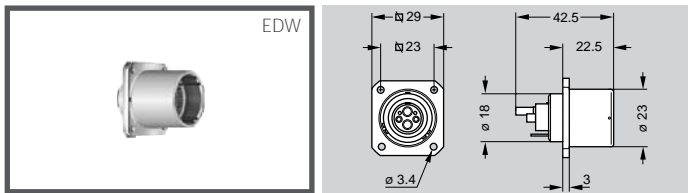
FXW Fixed plug with round flange (4 holes fixing), key (code W)

Part Number	Weight (g)	Availability
FXW.3K.93C.●LM	-120	○



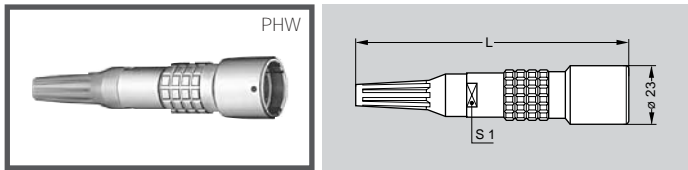
FMW Fixed plug with round flange (4 holes fixing), key (code W), cable adapter, nut for fitting a bend relief

Part Number	Cable group	Availability
FMW.3K.93C.CLMT90Z	1	○
FMW.3K.93C.CLMT96Z	2-4	○



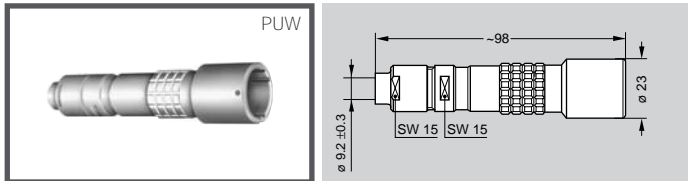
EDW Fixed socket with rear square flange (4 holes fixing), key (code W), and earthing tag

Part Number	Weight (g)	Availability
EDW.3K.93C.●LC	-47	○



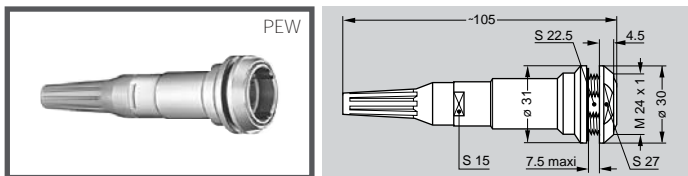
PHW Free socket with key (code W), cable adapter and nut for fitting a bend relief

Part Number	Cable gr.	Dim. (mm)		Availability
		L	S1	
PHW.3K.93C.CLCT90Z	1	105	15	○
PHW.3K.93C.CLCT96Z	2-4	105	15	●
PHW.3K.93C.CLCT12Z	3	139	20	○



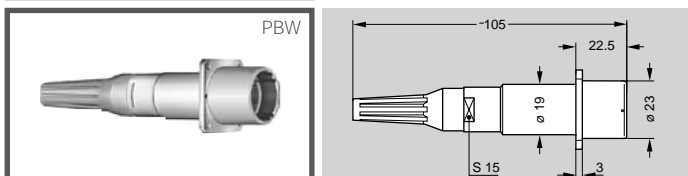
PUW Free socket with key (code W), cable collet adapter and long shell for fitting a bend relief with cap (with enhanced screen efficiency)

Part Number	Cable group	Availability
PUW.3K.93C.●LCC96	2-4	○



PEW Fixed socket, nut fixing, with key (code W), cable adapter and nut for fitting a bend relief (back panel mounting)

Part Number	Cable group	Availability
PEW.3K.93C.CLCT90Z	1	○
PEW.3K.93C.CLCT96Z	2-4	○



PBW Fixed socket with rear square flange (4 holes fixing), key (code W), cable adapter, nut for fitting a bend relief

Part Number	Cable group	Availability
PBW.3K.93C.CLCT90Z	1	○
PBW.3K.93C.CLCT96Z	2-4	○

● Standard, typically 0-6 weeks delivery for quantities of 250 or less.

○ Non-standard product, contact LEMO USA, typically 6-12 weeks delivery for quantities of 250 or less.

Non-standard product is defined as any product which contains one or more components which are not standard.

● 00 Series — Single fiber, fiber optic connectors

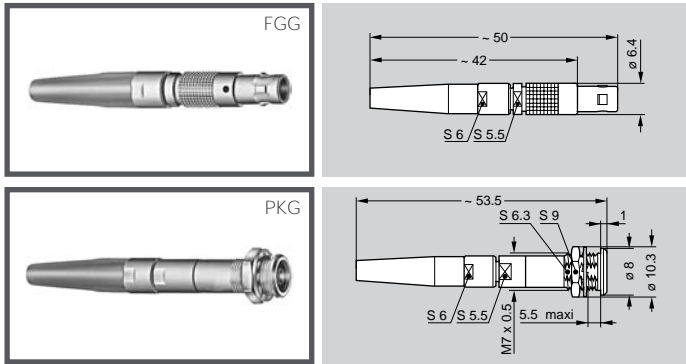
This Series of miniature fiber optic connectors allows to use single fiber cables with single mode or multimode fiber in Si/Si with dimensions of 9/125-50/125-62.5/125-100/125 or 100/140 μm. The F4 contact with ceramic ferrule guarantees optimal optical performance.

Technical characteristics

Insertion loss	0.33 dB (single fiber) 0.13 dB (multi-fiber)
Return loss	-30 dB (single fiber)
Endurance	> 500 cycles
Change in insertion loss	< 0.2 dB

Reference	Cable ø
T10	0.25 à 1.1 mm
E20	1.7 à 2.1 mm
E25	2.4 à 2.8 mm
E30	2.8 à 3.0 mm

This Series includes other types of connectors not shown in this catalog.



FGG Straight plug with key (G) or key (code B)

Part Number	Ferrule inside ø (μm)	Availability
FGG.00.BB4.CCB●●●G	126	○
FGG.00.BD4.CCB●●●G	128	○
FGG.00.FB4.CCB●●●G	144	○

PKG Fixed socket, nut fixing, with key (G) or key (code B)

Part Number	Ferrule inside ø (μm)	Availability
PKG.00.BB4.CCS●●●G	126	○
PKG.00.BD4.CCS●●●G	128	○
PKG.00.FB4.CCS●●●G	144	○

● 3K and 4K Series — Multi-fiber or mixed (FO + LV) Connectors

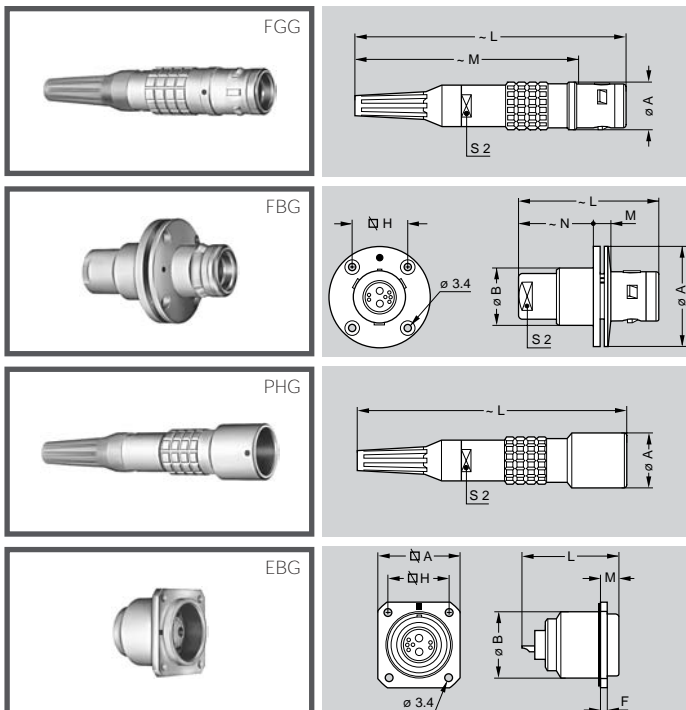
The fiber optic program includes several connectors for multifiber or mixed cables. The 4K Series connectors are used on digital video cameras and meet the needs of outside broadcasting. The F2 contacts with ceramic ferrule can be used with single or multimode fiber with a diameter up to 100/140 μm (see page 7 for characteristics).

Part number example

FGG.4K.93E.CLCT90 Straight plug with (G) keyway and collet nut, 4K Series, mixed type, 2 F2 fiber optic and 6 low voltage. Chrome-plated brass outershell, PEEK insulator, male crimp contact, special T type cable adapters for ø 9 mm cable. The fiber optic contacts must be ordered separately.

The 2B, 2K, 3B, 3K, 4B, 4K, 5B, 5K Series include other types of connectors not shown in this catalog.

NOTE: Hybrid connectors are special order.



FGG Straight plug with key (G) or keys (code A to F and L) and cable collet and strain relief

Part Number		Dimensions (mm)			
Model	Series	A	L	M	S2
FGG	3K	19	101	81	15
FGG	4K	25	130	109	19

FBG Straight plug with round flange with key (G) or keys (code A to F and L) four hole fixing

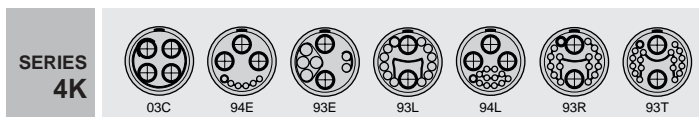
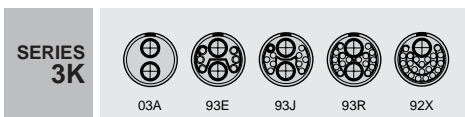
Part Number		Dimensions (mm)						
Model	Series	A	B	H	L	M	N	S2
FBG	3K	38	20.0	20.6	61	10	31	15
FBG	4K	49	27.5	29.0	71	12	39	19

PHG Free socket with key (G) or keys (code A to F and L), cable collet and strain relief

Part Number		Dimensions (mm)		
Model	Series	A	L	S2
PHG	3K	23	105	15
PHG	4K	29	132	19

EBG Fixed socket with square flange, key (G) or keys (code A to F and L) four hole fixing

Part Number		Dimensions (mm)					
Model	Series	A	B	F	H	Lmax	M
EBG	3K	29	23	3	23	42.5	6.0
EBG	4K	37	30	3	29	44.0	6.5



● Standard, typically 0-6 weeks delivery for quantities of 250 or less.
○ Non-standard product, contact LEMO USA, typically 6-12 weeks delivery for quantities of 250 or less.
Non-standard product is defined as any product which contains one or more components which are not standard.

● 2B, 2K, 3B, 3K, 4B, 4K, 5B and 5K Series — Coaxial + Low Voltage Connectors

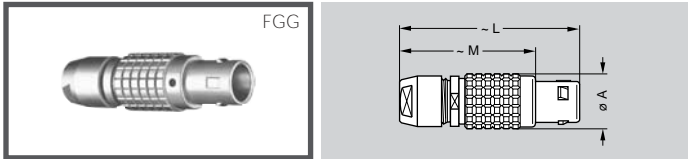
In addition to the triaxial connectors, and for utilization on television cameras, LEMO offers multicoaxial type connectors (R, G, B) and (R, G, B, SS) for HDTV as well as mixed coaxial 50 or 75 Ω + Low Voltage connectors, in the 2B, 2K, 3B, 3K, 4B, 4K, 5B and 5K Series.

The 2B, 2K, 3B, 3K, 4B, 4K, 5B and 5K Series include other types of connectors not shown in this catalog.

Note: Other insert configurations can be developed upon request.

Part number example

FGG.2B.802.CLAD522 Straight plug with key (G) and cable collet, 2B Series, combined type, 1 coaxial (50 Ω) contact and 2 Low Voltage contacts, chrom-plated brass shell, PEEK insulator, male solder contact, 5.2 mm type D collet and a group 2 coaxial cable.



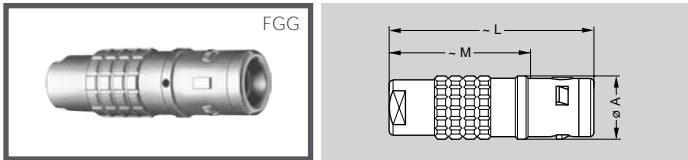
FGG Straight plug with key (G) or keys (code A...L) and cable collet

Part Number		Dimensions (mm)		
Model	Series	A	L	M
FGG	2B	15	49	37
FGG	3B	18	58	43
FGG	4B	25	75	57
FGG	5B	35	103	78



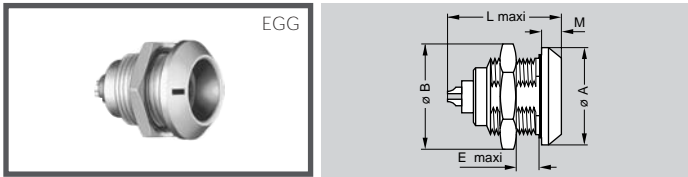
EGG Fixed socket, nut fixing, with key (G) or keys (code A...L)

Part Number		Dimensions (mm)				
Model	Series	A	B	E	L	M
EGG	2B	18	19.5	8.5	25.0	1.8
EGG	3B	22	25.0	11.5	30.0	2.0
EGG	4B	28	32.0	12.0	34.5	2.5
EGG	5B	40	40.0	11.0	45.5	3.0



FGG Straight plug with key (G) (code A...F and L) and cable collet or keys

Part Number		Dimensions (mm)		
Model	Series	A	L	M
FGG	2K	16	52	36.0
FGG	3K	19	61	41.0
FGG	4K	25	71	50.5
FGG	5K	38	92	67.0



EGG Fixed socket, nut fixing, with key (G) or keys (code A...F and L)

Part Number		Dimensions (mm)				
Model	Series	A	B	E	L	M
EGG	2K	25	27.5	9	29.0	5.0
EGG	3K	31	34.5	11	34.5	6.0
EGG	4K	37	41.5	9	35.0	6.5
EGG	5K	54	54.0	10	43.5	9.0

SERIES 2B, 2K	
Type Cable group	802 1-2-3, 804 1-2-3, 806 1-2-3, 810 1-2-3
SERIES 3B, 3K	
Type Cable group	242 1-2-3, 243 1-2-3, 803 6, 806 1-2-3, 809 1-2-3, 812 1-2-3, 813 1-2-3, 844 1-2-3, 850 1-2-3, 856 1-2-3, 862 1-2-3
SERIES 4B, 4K	
Type Cable group	244 1-2-3, 802 6, 822 5-7, 804 6, 824 5-7, 806 6, 826 5-7, 844 1-2-3, 852 1-2-3, 856 1-2-3, 858 1-2-3, 885 1-2-3, 879 1-2-3
SERIES 5B, 5K	
Type Cable group	240 1-2-3, 273 0-3-5, 274 0-3-5, 856 1-2-6, 876 3-5, 857 1-2-6, 877 3-5, 892 5

Recommended cables

Reference	Imp. (Ω)	Cable group
RG.6A/U	75±3Ω	7
RG.58C/U	50±2Ω	6
RG.59B/U	75±3Ω	5
RG.174A/U	50±2Ω	1
RG.178B/U	50±2Ω	2
RG.179B/U	75±3Ω	3
RG.187A/U	75±3Ω	3
RG.188A/U	50±2Ω	1
RG.196A/U	50±2Ω	2
RG.316/U	50±2Ω	1
BICC TM3205	75±3Ω	0
NEK 63620	75±3Ω	0
PKI 127416	75±3Ω	0

The coaxial contact inserts are made of PTFE.

Max. cable ø			Series				ø cable (mm)	Reference
Series			2B	3B	4B	5B		
2B	3B	4B	5B	ø cable (mm)			Reference	
				●			11.7	12
					●		12.0	12
						●	13.5	13
						●	15.0	15
						●	15.5	15
						●	16.0	16
						●	17.5	17
						●	19.5	19
						●	21.5	21
						●	23.5	23
						●	25.0	25

Max. cable ø			Series				ø cable (mm)	Reference
Series			2K	3K	4K	5K		
2K	3K	4K	5K	ø cable (mm)			Reference	
				●			11.7	11
					●		12.8	12
						●	13.5	13
						●	15.0	15
						●	15.5	15
						●	16.5	16
						●	17.5	17
						●	18.5	18
						●	19.5	19
						●	21.5	21
						●	23.5	23

● Standard, typically 0-6 weeks delivery for quantities of 250 or less.
 ○ Non-standard product, contact LEMO USA, typically 6-12 weeks delivery for quantities of 250 or less.
 Non-standard product is defined as any product which contains one or more components which are not standard.

● 0A Series — Coaxial Connectors (75Ω)

This connector series is widely used for the distribution of video and synchronization analog or digital signals, in television control rooms as well as in studios. Featuring QUICK-LOK push-pull self-latching system and small dimensions, they are perfect for intensive, small space requirements.

Recommended cables


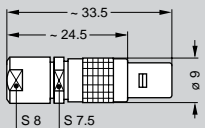

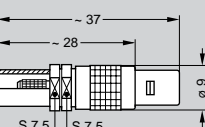

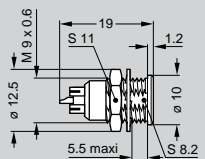

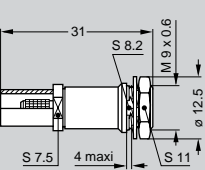

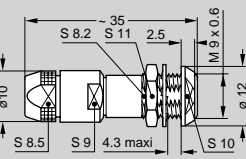

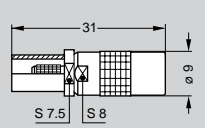

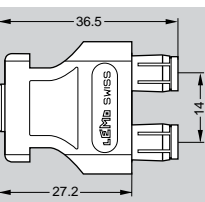

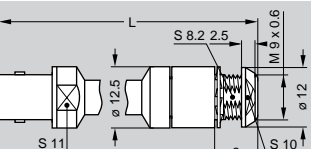
Reference	Impedance (Ω)	Cable group
RG.59/U MIL-C-17	75 ± 3.0Ω	8
RG.59/U dble screen	75 ± 3.0Ω	9
RG.179B/U MIL-C-17	75 ± 3.0Ω	2
Dätwyler HF-5408/1	75 ± 3.0Ω	6
Siemens 2 YCY (0.4/2.5)	75 ± 1.5Ω	4
Siemens 2 YCCY (0.4/2.5)	75 ± 1.5Ω	5

Technical characteristics

Impedance	75 Ω
Operating frequency	3.4 GHz
VSWR (f= GHz)	1.03+0.05f
Central contact resistance	< 6 m Ω
Shell to shell resistance	< 3 m Ω
Insulation resistance	> 10 ¹² Ω

For all collet nut connectors, adding a Z to the end of the part number means there is a collet nut for mounting the cable sleeve. All models for crimping can be supplied with cable sleeve. This sleeve is to be ordered separately. For bridge-plugs, the last letter of the part number indicates the shell color (N= black). For the other colors, please refer to the page 37 table.

The 0A Series is also available in a 50 Ω version. This series includes other types of connectors not shown in this catalog.

	FFA	
	FFS	
	ERN	
	PES	
	PFP	
	PCS	
	CRF-CFF	
	ABG	

FFA Straight plug with cable collet

Part Number	Cable group	Availability
FFA.0A.275.NTAC27	2	○
FFA.0A.275.NTAC40	4	○
FFA.0A.275.NTAC47	5	○
FFA.0A.275.NTAK62	8	○
FFA.0A.275.NTAK66	9	○

FFS Straight plug, cable crimping

Part Number	Cable group	Availability
FFS.0A.275.NTAE31	2	○
FFS.0A.275.NTAE48	5	○
FFS.0A.275.NTAE63	6-8	○

ERN Fixed socket with tag, nut fixing

Part Number	Weight (g)	Availability
ERN.0A.275.NTL	4.5	○

PES Straight socket, with cable crimping, nut fixing (back panel mounting)

Part Number	Cable group	Availability
PES.0A.275.NTLE31	2	○
PES.0A.275.NTLE48	5	○
PES.0A.275.NTLE63	6-8	○

PFP Straight socket with two nuts fixing with cable-collet (back panel mounting)

Part Number	Cable group	Availability
PFP.0A.275.NTLK62	8	○
PFP.0A.275.NTLK66	9	○

PCS Straight socket, cable crimping

Part Number	Cable group	Availability
PCS.0A.275.NTLE31	2	○
PCS.0A.275.NTLE48	5	○
PCS.0A.275.NTLE63	6-8	○

CRF-CFF Bridge-plug with or without monitoring socket

Part Number	with ouput	Availability
CRF.0A.275.PTEN	●	○
CFF.0A.275.PTCHN		○

ABG Adapter from LEMO socket to BNC 75 Ω socket (back panel mounting)

Part Number	L (mm)	Availability
ABG.0A.275.NTMC	30.5	○
ABG.0A.275.NTM	62.5	○

● Standard, typically 0-6 weeks delivery for quantities of 250 or less.
 ○ Non-standard product, contact LEMO USA, typically 6-12 weeks delivery for quantities of 250 or less.
 Non-standard product is defined as any product which contains one or more components which are not standard.

To be used in pairs; 1 long and 1 short adapter

• 1S Series — Coaxial Connectors (75Ω)

This connector series is widely used for the distribution of video and synchronization signals in television control rooms as well as in studios. Similar to the OA, this series allows the use of cables with larger dimensions.

Recommended cables

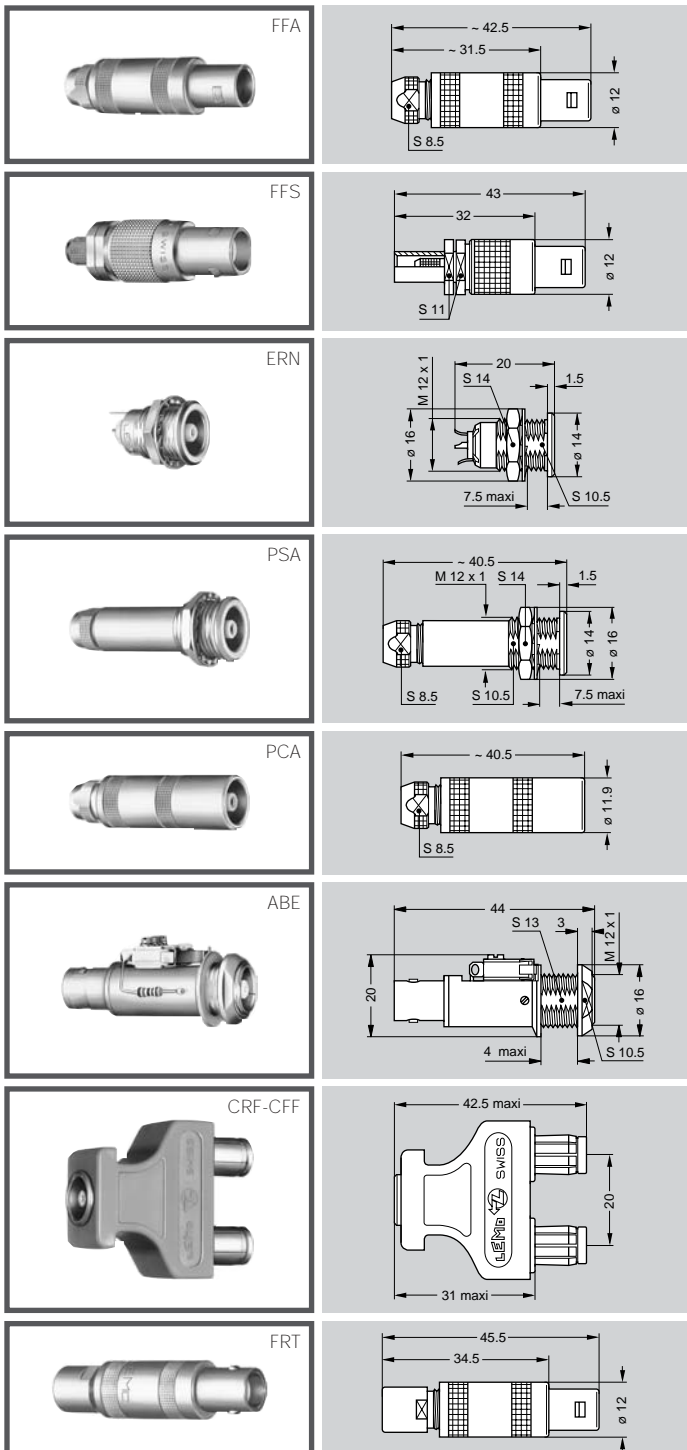
Reference	Impedance (Ω)	Cable group	
RG.6A/U	MIL-C-17	75 ± 3.0Ω	8
RG.59/U	MIL-C-17	75 ± 3.0Ω	7
RG.179B/U	MIL-C-17	75 ± 3.0Ω	5
Dätwyler	HF-5408/1	75 ± 3.0Ω	7
FMC	5381/74	75 ± 3.0Ω	9
Siemens	2 YCCY (0.4/2.5)	75 ± 1.5Ω	6

Technical characteristics

Impedance	75 Ω
Operating frequency	2.2 GHz
VSWR (f= GHz)	1.02 + 0.08f
Central contact resistance	< 3 m Ω
Shell to shell resistance	< 2.5 m Ω
Insulation resistance	> 10 ¹² Ω

For all collet nut connectors, adding a Z to the end of the part number means there is a collet nut for mounting the cable sleeve. All models for crimping can be supplied with cable sleeve. This sleeve is to be ordered separately. For bridge-plugs, the last letter of the part number indicates the shell color (G= grey). For the other colors, please refer to the page 37 table.

The 1S Series also exists in 50 Ω version. This series includes other types of connectors not shown in this catalog.



FFA Straight plug with cable collet

Part Number	Cable group	Availability
FFA.1S.275.CTAC27	5	○
FFA.1S.275.CTAC52	6	○
FFA.1S.275.CTAC62	7	○
FFA.1S.275.CTAK87	8	○

FFS Straight plug, cable crimping

Part Number	Cable group	Availability
FFS.1S.275.CTCE31	5	○
FFS.1S.275.CTCE63	7	○
FFS.1S.275.CTCE64	9	○
FFS.1S.275.CTCE86	8	○

ERN Fixed socket with tag, nut fixing

Part Number	Weight (g)	Availability
ERN.1S.275.CTL	8.5	○

PSA Fixed socket with cable collet, nut fixing

Part Number	Cable group	Availability
PSA.1S.275.CTLC27	5	○
PSA.1S.275.CTLC52	6	○
PSA.1S.275.CTLC62	7	○

PCA Free socket with cable collet

Part Number	Cable group	Availability
PCA.1S.275.CTLC27	5	○
PCA.1S.275.CTLC52	6	○
PCA.1S.275.CTLC62	7	○
PCA.1S.275.CTLK87	8	○

ABE Adapter consisting of a LEMO socket and a BNC socket, with microswitch

Part Number	Weight (g)	Availability
ABE.1S.275.NTMZ	27	○

CRF-CFF Bridge-plug with or without monitoring socket

Part Number	with output	Availability
CRF.1S.275.PTEG	●	○
CFF.1S.275.PTCG		○

FRT Straight plug with resistor

Part Number	Resistance	Availability
FRT.1S.275.CTA75	75 Ω 1/4 W	○

● Standard, typically 0-6 weeks delivery for quantities of 250 or less.

○ Non-standard product, contact LEMO USA, typically 6-12 weeks delivery for quantities of 250 or less.

Non-standard product is defined as any product which contains one or more components which are not standard.

● OS and 1S Series — Triaxial Connectors

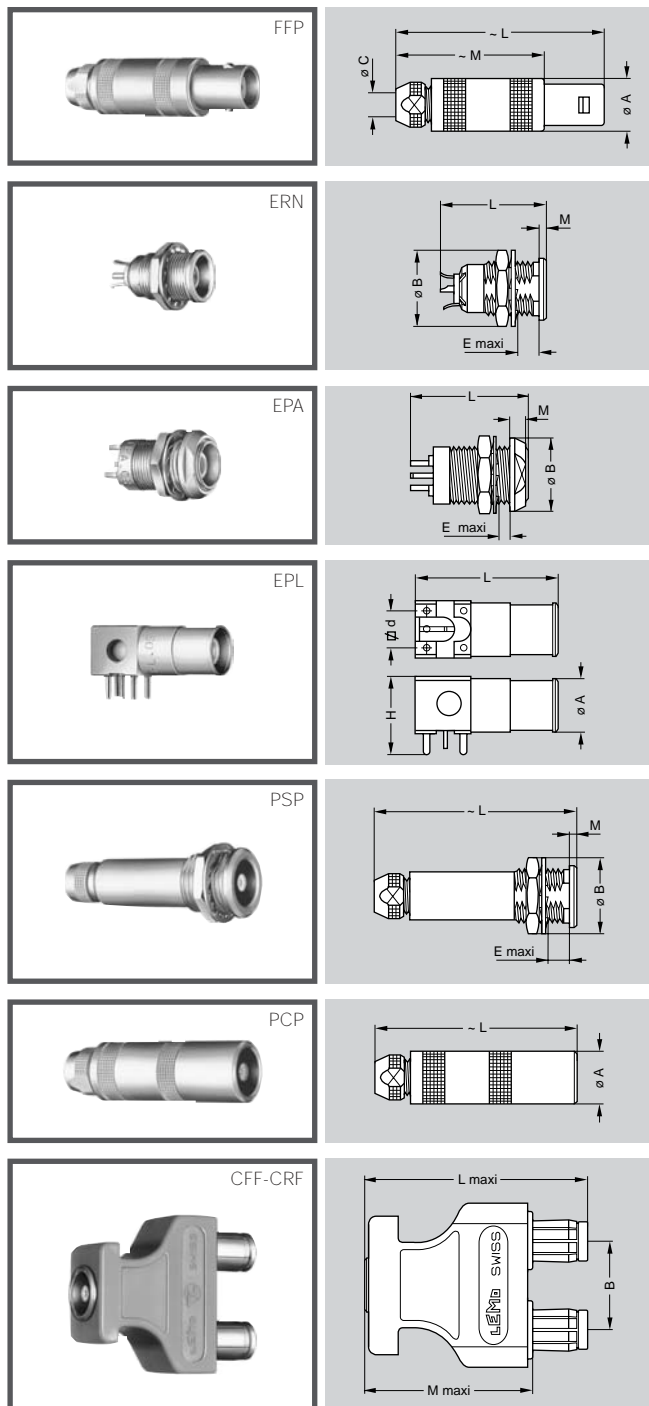
For mono audio applications, LEMO offers connectors of the triaxial type in the OS and 1S series. These connectors can be fitted with a great number of accessories, such as insulating washers as well as sleeves for plug or socket, available in nine colors, blue, white, grey, yellow, brown, black, red, orange and green as are the shells of the bridge-plugs, thus enabling to create a code of the different signals.

Ref.	Color	Ref.	Color
A	blue	N	black
B	white	R	red
G	grey	S	orange
J	yellow	V	green
M	brown		

Recommended cables

Reference	Basic coaxial cable	Imp. (Ω)	Cable group
Lemo D.121730	-	50±2Ω	3
Lemo.CTA.99.290.803	RG.178B/U	50±2Ω	1
Lemo.CTD.99.391.505	RG.174A/U	50±2Ω	2

The OS and 1S Series include other types of connectors not shown in this catalog. For all collet nut connectors, adding a Z to the end of the part number means there is a collet nut for mounting the cable sleeve. For bridge-plugs, the last letter of the part number indicates the shell color (N= black). For the other colors, please refer to the table above.



FFP Straight plug with inner anti-rotating device and cable collet

Part Number	Series	Cable group	Dimensions (mm)			Availability
			A	L	M	
FFP.OS.650.CTLC32	OS	1	9	34.5	24.5	○
FFP.OS.650.CTLC42	OS	2	9	34.5	24.5	○
FFP.1S.650.CTAC32	1S	1	9	42.5	31.5	○
FFP.1S.650.CTAC42	1S	2	12	42.5	31.5	○
FFP.1S.650.CTAC52	1S	3	12	42.5	31.5	○

ERN Fixed socket with tag, nut fixing

Part Number	Series	Dimensions (mm)				Availability
		B	E	L	M	
ERN.OS.650.CTA	OS	12.5	7.0	18.8	1.2	○
ERN.1S.650.CTL	1S	16.0	7.5	23.2	1.5	○

EPA Fixed socket for printed circuit

Part Number	Series	Dimensions (mm)				Availability
		B	E	L	M	
EPA.OS.650.NTD	OS	12.7	7.0	19.5	2.5	○

EPL Elbow socket (90°) for printed circuit

Part Number	Series	Dimensions (mm)				Availability
		A	L	H	d	
EPL.OS.650.NTD	OS	8.8	23.6	13.0	5.08	○

PSP Fixed socket, nut fixing with inner anti-rotating device and cable collet

Part Number	Series	Cable group	Dimensions (mm)				Availability
			B	E	L	M	
PSP.OS.650.CTAC32	OS	1	12.5	7.0	33.5	1.2	○
PSP.OS.650.CTAC42	OS	2	12.5	7.0	33.5	1.2	○
PSP.1S.650.CTLC32	1S	1	16.0	7.5	40.5	1.5	○
PSP.1S.650.CTLC42	1S	1	16.0	7.5	40.5	1.5	○
PSP.1S.650.CTLC52	1S	3	16.0	7.5	40.5	1.5	○

PCP Fixed socket with inner anti-rotating device, cable collet

Part Number	Series	Cable group	Dimensions (mm)		Availability
			A	L	
PCP.OS.650.CTAC32	OS	1	8.9	33.5	○
PCP.OS.650.CTAC42	OS	2	8.9	33.5	○
PCP.1S.650.CTLC32	1S	1	11.9	40.5	○
PCP.1S.650.CTLC42	1S	2	11.9	40.5	○
PCP.1S.650.CTLC52	1S	3	11.9	40.5	○

CFF-CRF Bridge-plug with or without monitoring socket

Part Number	Series	with output	Dimensions (mm)			Availability
			B	L	M	
CFF.OS.650.PTMN	OS		14	37.2	27.2	○
CRF.OS.650.PTFN	OS	●	14	37.2	27.2	○
CFF.1S.650.PTCN	1S		20	42.0	31.0	○
CRF.1S.650.PTEN	1S	●	20	42.0	31.0	○

● Standard, typically 0-6 weeks delivery for quantities of 250 or less.
 ○ Non-standard product, contact LEMO USA, typically 6-12 weeks delivery for quantities of 250 or less.
 Non-standard product is defined as any product which contains one or more components which are not standard.

● OB and 1B Series — 3-contact and 6-contact Connectors

For mono audio applications, LEMO offers multicontact connectors with 3 contacts and for stereo applications multicontact connectors with 6 contacts. They can be fitted with colored accessories enabling the user to create a coding system like the OS and 1S Series connectors.

Part number example

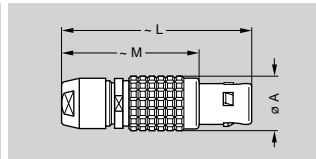
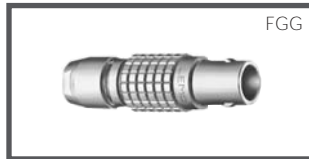
FGG.0B.303.CLAD52 Straight plug with key (G) and cable collet, OB Series, multicontact type with 3 contacts, chromed brass housing, PEEK insulator, male solder contact, 5.2 mm, type D collet.

For all collet nut connectors, adding a Z to the end of the part number means there is a collet nut for mounting the cable sleeve. For bridge-plugs, the last letter of the part number indicates the shell color (N= black). For the other colors, please refer to the page 37 table. The (*) in the part number below are to be replaced by the chosen contact type as well as the max. diameter of the cable to be used as shown in the example.

Type of contact

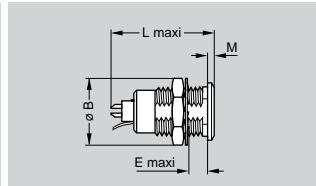
Ref.	Type	Mod.	Series		Max. cable ø (mm)	Ref.
			OB	1B		
A	male solder contact	FGG	●		2.0	21
			●		2.5	25
			●		3.0	31
C	male crimp contact	FGG	●		3.5	35
			●		4.0	42
			●		5.0	52
L	female solder contact	PKG	●	● ¹⁾	5.5	56
			●	●	6.0	62
			●	●	7.0	72
M	female crimp contact	PHG	●	● ¹⁾	7.5	76

¹⁾ Collet nut for cable sleeve not available.



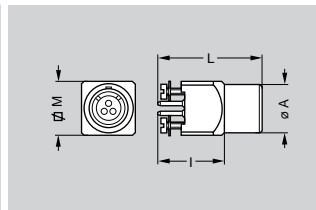
FGG Straight plug with key (G) or keys (code A...F) and cable collet

Part Number	Series	Dimensions (mm)			Applic.		Availability
		A	L	M	mono	stereo	
FGG.0B.303.CL•D••	0B	9.5	36	26	●		●
FGG.1B.303.CL•D••	1B	12.0	43	32	●		●
FGG.1B.306.CL•D••	1B	12.0	43	32		●	●



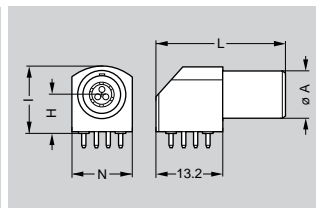
ENG Fixed socket with key (G) or keys (code A...F) and tag, nut fixing

Part Number	Series	Dimensions (mm)				Applic.		Availability
		B	E	L	M	mono	stereo	
ENG.0B.303.CLL	0B	12.5	7.0	19.5	1.2	●		○
ENG.1B.303.CLL	1B	16.0	7.5	21.7	1.5	●		○
ENG.1B.306.CLL	1B	16.0	7.5	21.7	1.5		●	○



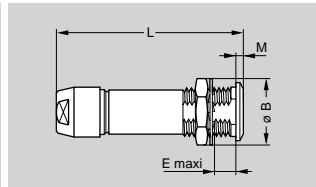
EZG Straight socket for printed circuit with key (G)

Part Number	Series	Dimensions (mm)				Applic.		Availability
		A	I	L	M	mono	stereo	
EZG.0B.303.CLN	0B	9	8	19.5	10	●		○
EZG.1B.303.NLN	1B	11	8	22.8	12	●		○
EZG.1B.306.NLN	1B	11	8	22.8	12		●	○



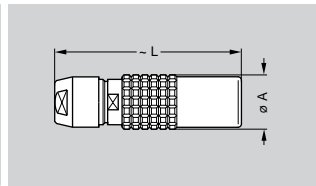
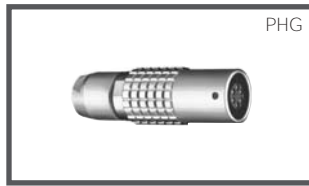
EPG Elbow socket (90°) with key (G) for printed circuit

Part Number	Series	Dimensions (mm)					Applic.		Availability
		A	H	I	L	N	mono	stereo	
EPG.0B.303.HLN	0B	9	6.9	12.7	24.8	11.6	●		●
EPG.1B.303.HLN	1B	11	7.7	14.0	26.8	12.6	●		○
EPG.1B.306.HLN	1B	11	7.7	14.0	26.8	12.6		●	●



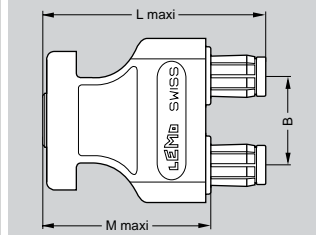
PKG Fixed socket, nut fixing, with key (G) or keys (code A...F), and cable collet

Part Number	Series	Dimensions (mm)				Applic.		Availability
		B	E	L	M	mono	stereo	
PKG.0B.303.CL•D••	0B	12.5	7.0	35.5	1.2	●		○
PKG.1B.303.CL•D••	1B	16.0	7.5	40.5	1.5	●		○
PKG.1B.306.CL•D••	1B	16.0	7.5	40.5	1.5		●	○



PHG Straight socket with key (G) or keys (code A...F) and cable collet

Part Number	Series	Dimensions (mm)		Applic.		Availability
		A	L	mono	stereo	
PHG.0B.303.CL•D••	0B	12.5	35.5	●		●
PHG.1B.303.CL•D••	1B	16.0	40.5	●		○
PHG.1B.306.CL•D••	1B	16.0	40.5		●	○



CFF-CRG Bridge-plug with two non-latching plugs with or without monitoring socket

Part Number	Series	with output	Dimensions			Applic.		Availability
			B	L	M	mono	stereo	
CFF.0B.303.PLCN	0B		14	37.2	27.2	●		○
CRG.0B.303.PLEN	0B	●	14	37.2	27.2	●		○
CFF.1B.303.PLCN	1B		20	42.0	31.0	●		○
CRG.1B.303.PLEN	1B	●	20	42.0	31.0	●		○
CFF.1B.306.PLCN	1B		20	42.0	31.0		●	○
CRG.1B.306.PLEN	1B	●	20	42.0	31.0		●	○

● Standard, typically 0-6 weeks delivery for quantities of 250 or less.

○ Non-standard product, contact LEMO USA, typically 6-12 weeks delivery for quantities of 250 or less.

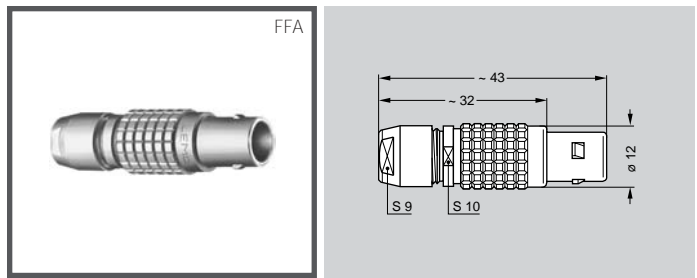
Non-standard product is defined as any product which contains one or more components which are not standard.

● Quadrax — LEMO’s exclusive “true quadrax” connector

An exclusive LEMO product, the Quadrax is a connector with four concentric contacts designed to solve all kinds of audio stereo patch panel problems. Especially designed for a European radio and television network, this new connector type allows “blind” mating without the worry of contact positioning but with the full mating security of LEMO’s QUICK-LOK push-pull self-latching system. As with coaxial or triaxial types, the quadrax connectors can also be fitted on panels in a “star” configuration for switching a single signal to different outputs.

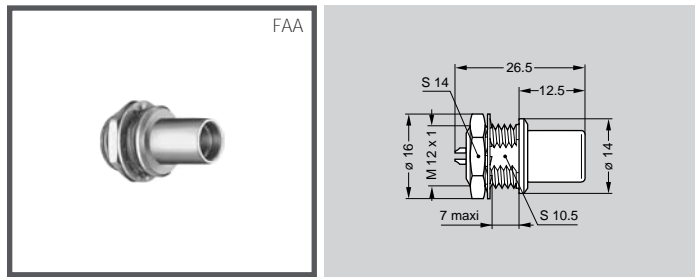
In order to enable the user to make his own coding system, the shells of bridge plugs, the double panel washers, the insulating washers as well as the cable sleeves to be fitted on plugs are available in nine colors.

For all collet nut connectors, adding a Z to the end of the part number means there is a collet nut for mounting the cable sleeve (not available for collet 76).
 For bridge-plugs, the last letter of the part number indicates the shell color (N= black). For the other colors, please refer to the page 37 table.



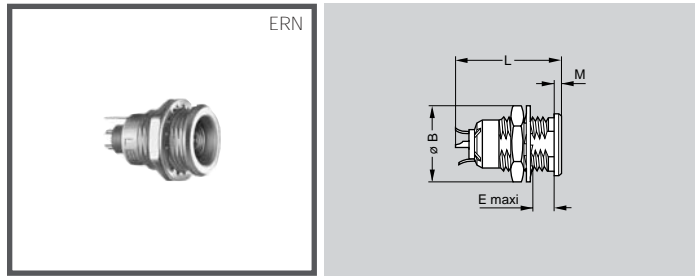
FFA Straight plug with cable collet

Part Number	Weight (g)	Availability
FFA.1D.694.CNLD42	4.2	○
FFA.1D.694.CNLD52	5.2	○
FFA.1D.694.CNLD62	6.2	○
FFA.1D.694.CNLD72	7.2	○
FFA.1D.694.CNLD76	7.6	○



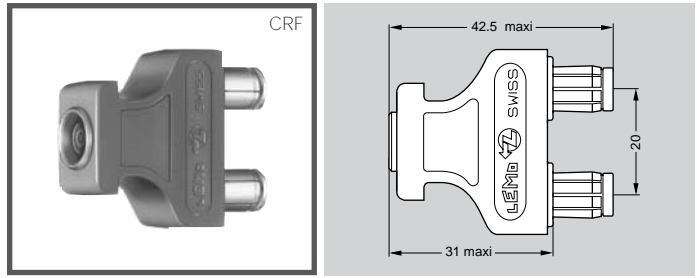
FAA Straight plug, non-latching, nut fixing

Part Number	Weight (g)	Availability
FAA.1D.694.CNL	12.3	○



ERN Fixed socket with tag, nut fixing

Part Number	Weight (g)	Availability
ERN.1D.694.CNA	8.5	○



CRF Bridge-plug with two non-latching plugs with monitoring output

Part Number	Weight (g)	Availability
CRF.1D.694.PTFN	24.7	○

● Standard, typically 0-6 weeks delivery for quantities of 250 or less.
 ○ Non-standard product, contact LEMO USA, typically 6-12 weeks delivery for quantities of 250 or less.
 Non-standard product is defined as any product which contains one or more components which are not standard.

● 00 Series — Screw coupling connectors

This new family of screw-coupling miniature connectors is particularly adapted to connecting professional mini-receivers and miniature microphones. These connectors are available in coaxial, triaxial or multicontact types. In most cases they are used with 2-conductor screened cable. The keying system, available even for the coaxial type, guarantees perfect connection in the case of similar connectors used for different applications.

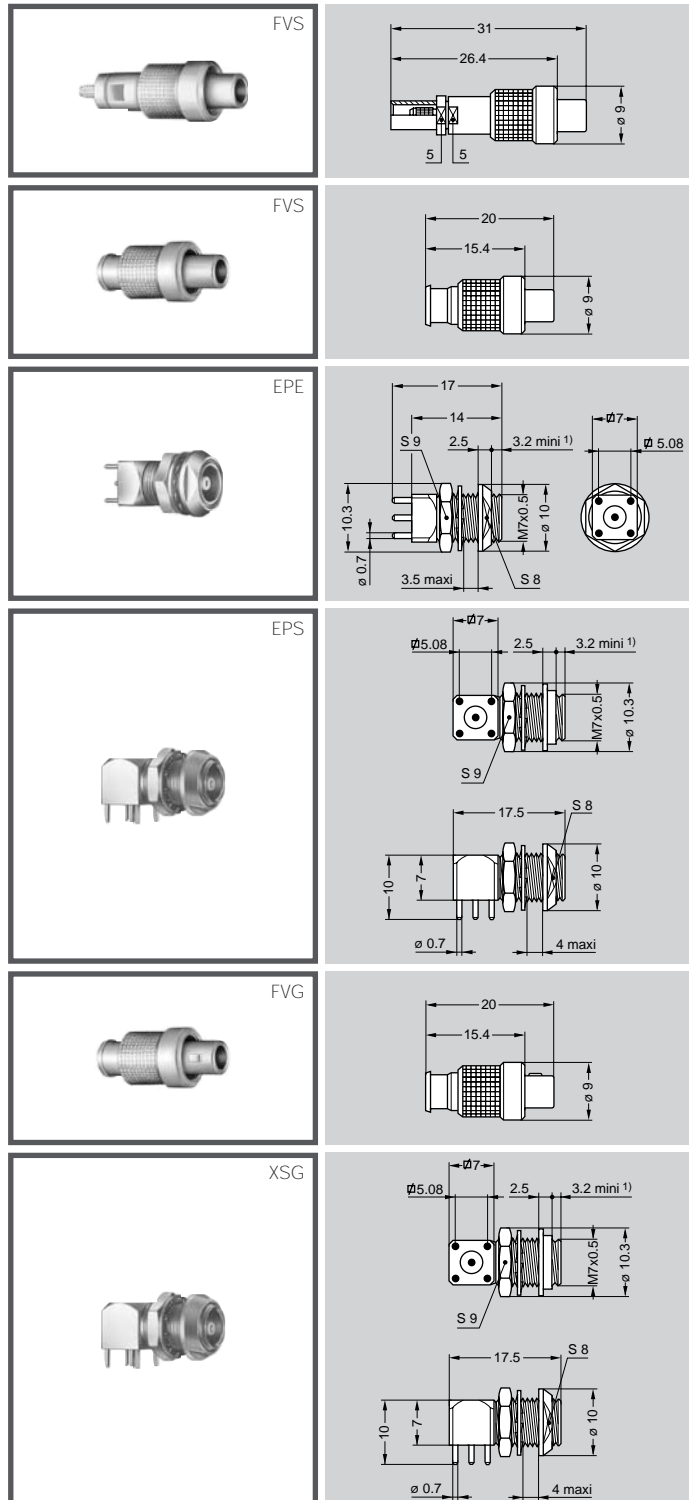
Max. cable ø

Ref.	cable ø (mm)
17	1.7
22	2.2
27	2.7
30	3.0
35	3.5

Recommended cables

Reference	Type	Sheath outer diameter (mm)	Cable group
LEMO CCH.99.281.505	Coax 50 Ω	2.8	3
RG.174 A/U	Coax 50 Ω	2.6	3
RG.178 B/U	Coax 50 Ω	1.8	1
LEMO CMB.02.210.635	2x0.055mm ² + screen	2.1	0
LEMO D 003041	3x0.04mm ² + screen	2.8	9

For the plug with a short shell for bend relief please refer to page 37 table.



FVS Straight plug for cable clamping

Part Number	Cable group	Availability
FVS.00.250.NTCE24	1	○
FVS.00.250.NTCE31	3	○

FVS Straight plug, short shell for bend relief²⁾

Part Number	Cable group	Availability
FVS.00.250.NTA	0	○

EPE Straight socket with two nuts, for printed circuit

Part Number	Weight (G)	Availability
EPE.00.250.NTN	4.2	○

EPS Elbow socket (90°) with two nuts, for printed circuit

Part Number	Weight (G)	Availability
EPS.00.250.NTN	5.3	●

FVG Straight plug with key (G), short shell for bend relief²⁾

Part Number	Cable group	Availability
FVG.00.250.NTC	0	○

XSG Elbow socket (90°) with key (G), two nuts for printed circuit

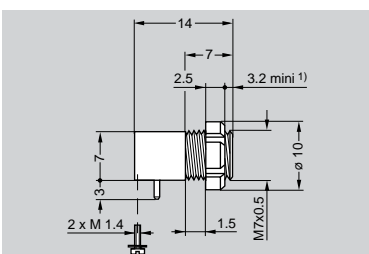
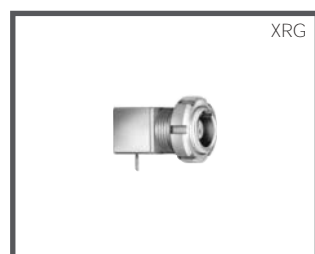
Part Number	Weight (G)	Availability
XSG.00.250.NTN	5.3	○

● Standard, typically 0-6 weeks delivery for quantities of 250 or less.

○ Non-standard product, contact LEMO USA, typically 6-12 weeks delivery for quantities of 250 or less.

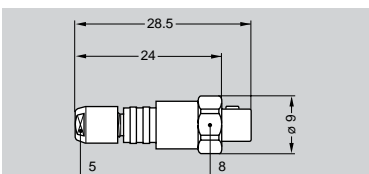
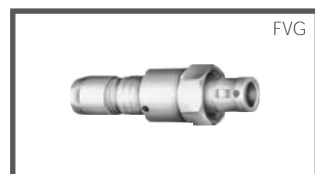
Non-standard product is defined as any product which contains one or more components which are not standard.

● 00 Series — Screw coupling connectors, continued



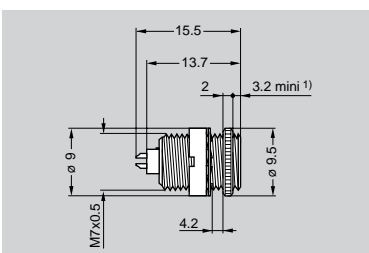
XRG Elbow (90°) socket, with key (G), short shell and slotted nut for printed circuit, screw fixing (back panel mounting)

Part Number	Weight (G)	Availability
XRG.00.250.NTN	3.8	○



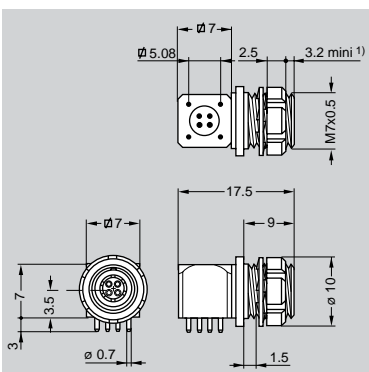
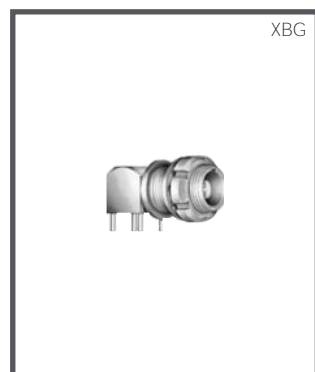
FVG Straight plug with key (G), and cable collet³⁾

Part Number	Cable group	Availability
FVG.00.302.CLAD●●	0	○
FVG.00.303.CLAD●●	9	○



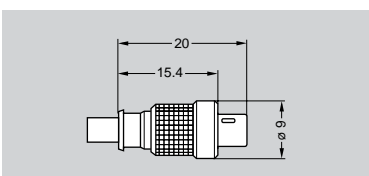
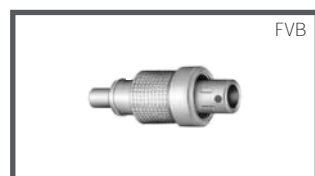
ESG Fixed socket with two round nuts, key (G) or keys (code B), threaded shell (back panel mounting)

Part Number	Weight (G)	Availability
ESG.00.302.CLL	3.3	○
ESG.00.303.CLL	3.3	○



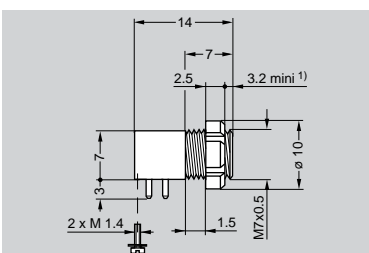
XBG Elbow (90°) socket with slotted nut for printed circuit, with key (G) or keys (code B)

Part Number	Weight (G)	Availability
XBG.00.302.NLN	4.8	○
XBG.00.303.NLN	4.8	○



FVB Straight plug, with keys (code B), short shell for bend relief²⁾

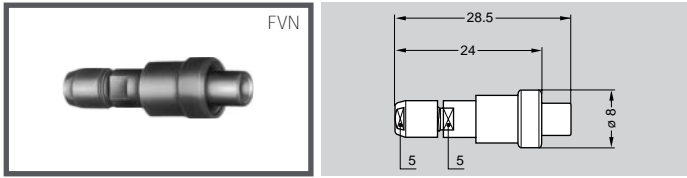
Part Number	Cable group	Availability
FVB.00.303.NLA	0	○



XRB Elbow (90°) socket with slotted nut for printed circuit, with keys (code B), screw fixing (back panel mounting)

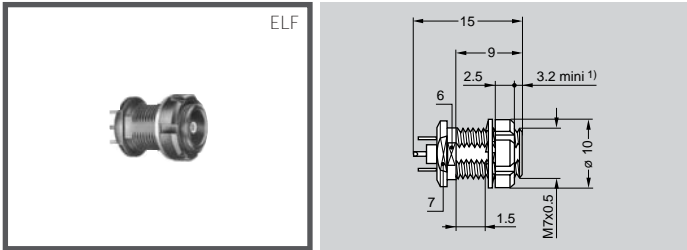
Part Number	Weight (G)	Availability
XRB.00.303.NLN	3.9	○

● Standard, typically 0-6 weeks delivery for quantities of 250 or less.
 ○ Non-standard product, contact LEMO USA, typically 6-12 weeks delivery for quantities of 250 or less.
 Non-standard product is defined as any product which contains one or more components which are not standard.



FVN Straight plug with cable collet, black chromium-plated outer shell ²⁾

Part Number	Cable group	Availability
FVN.00.650.KLAC31	0	○



ELF Fixed socket, nut fixing, threaded shell with tag, black chromium-plated outer shell (back panel mounting)

Part Number	Weight (G)	Availability
ELF.00.650.KLL	3.1	○

Notes

- 1) Minimum length of free threading to ensure mating.
- 2) These plugs require special termination, we recommend the purchasing of cable plugs assembly. Please consult us.
- 3) See page 21 for possible cable \varnothing .

● Audio/Video and Fiber Optic Patch Panels



No more jacks !! but a modern and reliable connection system that guarantees total security. LEMO offers audio and video patch panels fitted with Push-Pull connectors: this principle allows a reliable connection and avoids all risks of linkage interruption by accidentally pulling on the cable.

This quality is further reinforced by the use of gold-plated contacts.

Standard 19" elements in various configurations are offered on panels with 1, 2 or more units. Every connector row has a label holder for identification. Our patch panels have a satin paint finish which is highly resistant to abrasion (standard colors black or grey) or a heat treated pain (standard color beige, other colors available on request) or a natural anodized finish, reflecting the quality of your applications.

AUDIO

All our patch panels are designed for LEMO sockets in the 0S (triax), 0B (3 contacts), 1B (3 or 6 contacts) or 1D (quadrax) Series on one or several rows.

Several linking diagrams or commutations are available. Screened bifilar cables are used. For easy installation of the patch panels, the outputs on the rear panel are fitted with LEMO 0S (triax), 0B (3 contacts), 1B (3 or 6 contacts) or 5A (36 contacts) Series, Sub-D (37 contacts) or Elco (90 contacts) connectors.

VIDEO

All our video patch panels are designed for LEMO coaxial type sockets of the 0A (75 Ω), 1S (75 Ω) Series or multicoaxial type sockets of the 3B (3 coax 75 Ω or 3 coax + 2 multi) Series for the High Definition TV applications. The sockets can be arranged on one or several rows with up to 30 connections per row.

The internal linking is made with coaxial cables. The external linking can be made with 2 plugs connected by a cable or with a bridge plug.

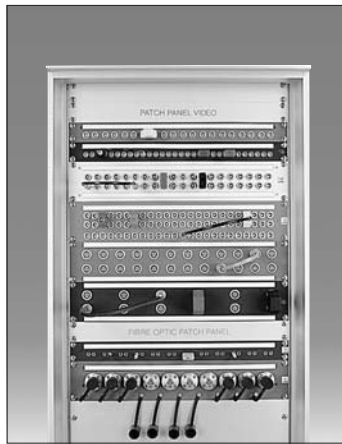
For easy installation of the patch panels, the outputs on the rear panel are fitted with LEMO coaxial connectors of the 0A (75 Ω) or 1S (75 Ω) Series, BNC connectors or 5B (10 coax 75 Ω) Series.

FIBER OPTIC PATCH PANELS

Our fiber optic patch panels are designed for LEMO fiber optic type sockets of the 00 series (for single mode or multimode Si/Si fiber up to 100/140 μm) or 0B series (for multimode fiber with cladding ≥ 200 μm). For broadcast TV Camera Interconnection Systems, panels are fitted with connectors of the 3K.93C series with W key-way.

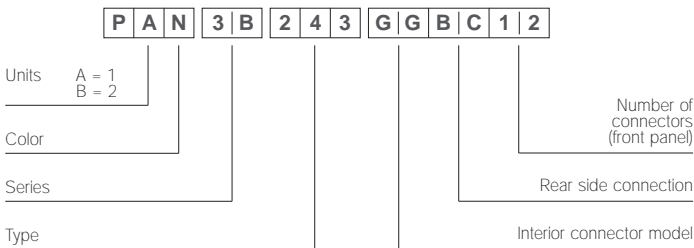
The connectors are mounted on one or several rows. The rear patch panel linkings are generally made with a fiber optic cable directly fitted into the LEMO connectors.

For easy installation of the patch panels, the outputs on the rear panel can be fitted with LEMO ST, SC or others types of fiber optic connectors upon request. Special installation is possible with LEMO multifiber or mixed optical/electrical connectors.



Part number example

PAN.3B.243.GGBC12 1 U patch panel, black, 3B Series multicoax (243) type (3 coax), with model EGG, 12 sockets, BNC rear output.



Ref.	Color	Ref.	Color
A	blue	N	black
C	beige	T	nat. anod.
G	grey		

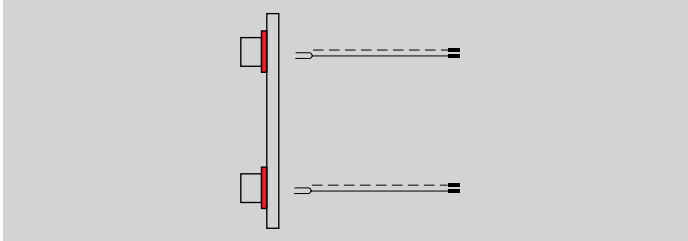
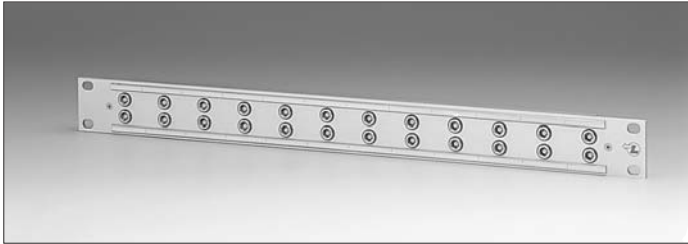
Ref.	Series	Type	Application
243	3B	Multicoax (3x75 Ω)	video HDTV
275	0A-1S	Coax (75 Ω)	video
303	0B	Multipole (3) Multicontacts (3)	audio
306	1B	Multipole (6) Multicontacts (6)	audio
650	0S-1S	Triaxial	audio
694	1D	Quadrax	audio
862	3B	Multicoax (3x75 Ω) + Multicontacts (2)	video HDTV
●●4	00	Single mode or multimode	fiber-optic
93C	3K	Fiber optic + Multicontacts	fiber-optic

Ref.	Rear side connection
CA	cable câble
0A	LEMO coax (75 Ω)
0B	LEMO (Multi. 3 contacts)
0S	LEMO Triax
1B	LEMO (Multi. 3 - 6 contacts)
1S	LEMO coax (75 Ω)
BC	BNC (coax)

Ref.	Rear side connection
5A	LEMO (36 contacts)
5B	LEMO (10 coax 75 Ω)
SD	Sub-D (37 contacts)
EL	ELCO (90 contacts)
XL	XLR (3 contacts) male
XL	XLR (3 contacts) female

● Patch Panel for Video Applications

0S – 1S Series – Coaxial connectors (75Ω)



Front side connection	Rear side connection
<p>FFA-FFS 0A-1S</p> <p>CFF-CRF 0A-1S</p>	

- 1 U panel, with one row of 12, 24 or 30 insulated sockets of the 0A Series or 10 or 20 sockets of the 1S Series.
- 1 U panel, with two rows of 12 or 24 insulated sockets of the 0A Series.
- 2 U panel, with two rows of 20 insulated sockets of the 1S Series.

Rear outputs for customer wiring.

Part number example

P [] [] [] [] **2 7 5** **R N C A** [] [] [] []

Units A = 1
 B = 2

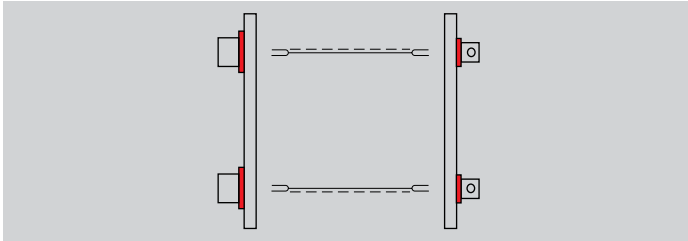
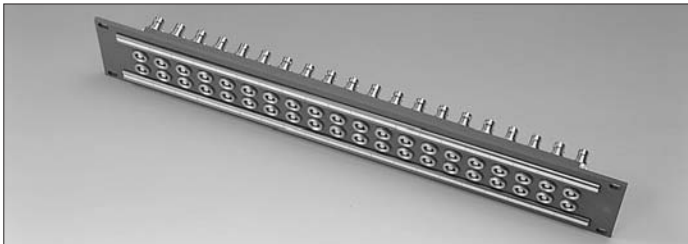
Color

Series 0A - 1S

Number of connectors

Ref. Ref.	Color
C	beige
G	grey
N	black
T	nat. anod.

0S – 1S Series – Coaxial connectors (75Ω)



Front side connection	Rear side connection
<p>FFA-FFS 0A-1S</p> <p>CFF-CRF 0A-1S</p>	<p>FFA-FFS 0A-1S</p> <p>FGG 5B</p> <p>BNC</p>

- 1 U panel, with one row of 12, 24 or 30 sockets of the 0A Series or 10 or 20 insulated sockets of the 1S Series.
- 1 U panel, with two rows of 12, 24 or 30 sockets of the 0A Series.
- 2 U panel, with two rows of 20 insulated sockets of the 1S Series.

Outputs on rear panel; LEMO 0A, 1S, 5B (10 coax) Series or BNC connectors.

Part number example

P [] [] [] [] **2 7 5** **• •** [] [] [] []

Units A = 1
 B = 2

Color

Series 0A-1S

Rear side connection

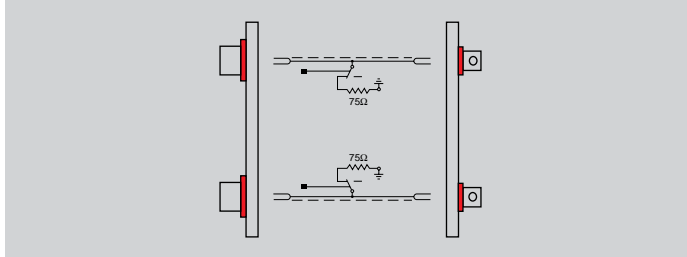
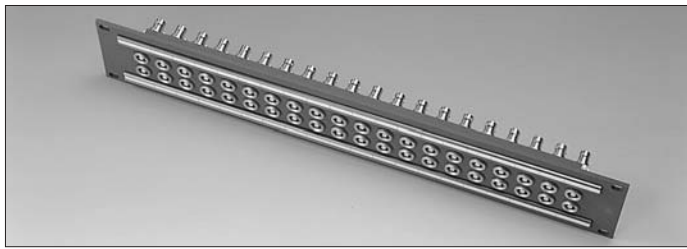
Number of connectors

Ref.	Color
C	beige
G	grey
N	black
T	nat. anod.

Series	• •	Ref.	Rear side connection
0A	AD	0A	LEMO coax (75 Ω)
1S	AD	1S	LEMO coax (75 Ω)
0A	AG	BC	BNC (coax)
1S	AA	BC	BNC (coax)
0A	RN	5B	LEMO (10 coax 75 Ω)
1S	RN	5B	LEMO (10 coax 75 Ω)

● Patch Panel for Video Applications

1S Series – Coaxial connectors (75Ω) with microswitch for 75Ω termination



Front side connection	Rear side connection
<p>FFA-FFS 1S</p> <p>CFF-CRF 1S</p>	<p>BNC</p>

- 1 U panel, with one row of 20 insulated sockets of the 1S Series.
- 2 U panel, with two rows of 12 or 20 insulated sockets of the 1S Series.

Rear outputs with BNC connectors.

Part number example

P			1	S	2	7	5	A	B	B	C		
---	--	--	---	---	---	---	---	---	---	---	---	--	--

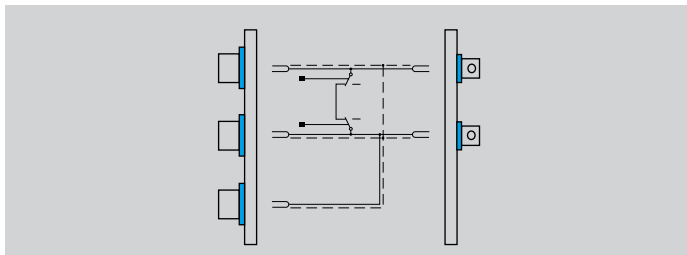
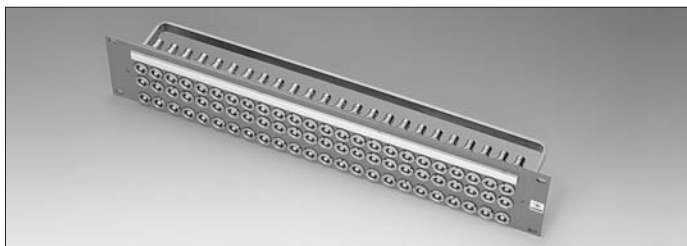
Units A = 1
 B = 2

Color _____

Number of connectors _____

Ref.	Color
C	beige
G	grey
N	black
T	nat. anod.

1S Series – Coaxial connectors (75Ω) with microswitch for bridging and monitoring output



Front side connection	Rear side connection
<p>FFA-FFS 1S</p>	<p>BNC</p>

- 2 U panel, with three rows of 20 or 24 insulated sockets of the 1S Series.

Rear output with BNC connectors.

Part number example

P	B		1	S	2	7	5	A	B	B	B		
---	---	--	---	---	---	---	---	---	---	---	---	--	--

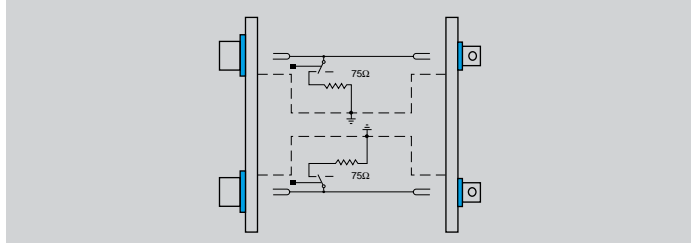
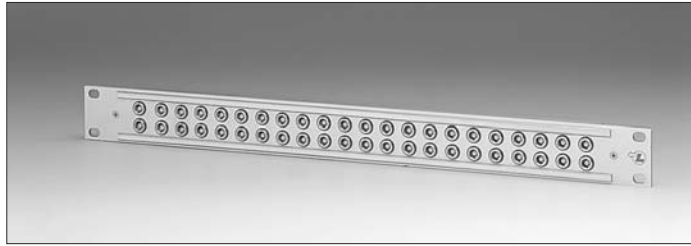
Color _____

Number of connectors _____

Ref.	Color
A	blue
C	beige
G	grey
N	black
T	nat. anod.

● Patch Panel for Video Applications

VIDEO application Digital-serial transmission
Connectors: 0A Series Type coax (75 Ω)
with microswitch for 75 Ω termination



Front side connection	Rear side connection
FFA-FFS 0A CFF.0A.275.PTCK 20 mm	BNC

- 1 U panel, with one row of 22 insulated sockets of the 0A Series.
- 2 U panel, with two rows of 22 insulated sockets of the 0A Series.

Rear output with BNC connectors.

Part number example

P
0
A
2
7
5
A
E
B
C

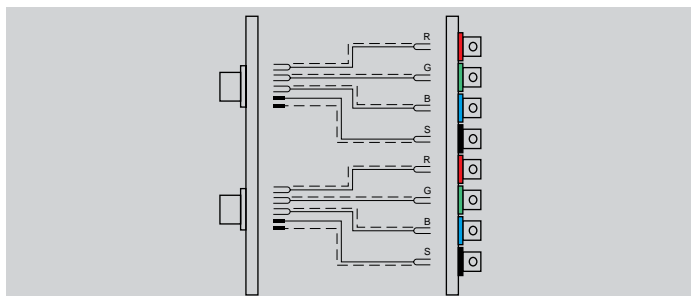
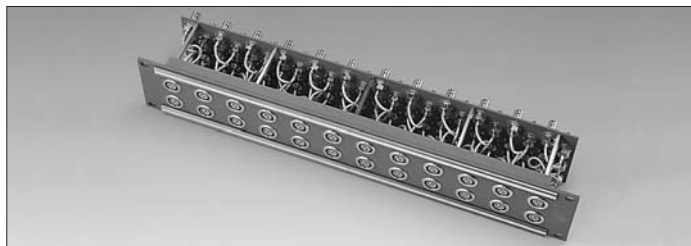
Units A = 1
 B = 2

Color

Number of connectors

Ref.	Color
C	beige
G	grey
N	black
T	nat. anod.

VIDEO application HDTV (R, G, B) + synchro
Connectors: 3B Series
Type mixed (3 coax + 2 cont.) Type multicoax (3 coax 75 Ω)



Front side connection	Rear side connection
FGG 3B CFF 3B	FFA-FFS 0A BNC

- 1 U panel, with one row of 12 sockets of the 3B Series.
 - 2 U panel, with two rows of 12 or 16 sockets.
- System allowing simultaneous connection of 3 signals with synchro.
 Outputs on rear panel; LEMO 0A Series or BNC connectors.

Part number example

P
3
B
G
G

Units A = 1
 B = 2

Color

Type 243: 3 coax
 862: 3 coax + 2 cont.

Rear side connection

Number of connectors

Ref.	Color
C	beige
G	grey
N	black
T	nat. anod.

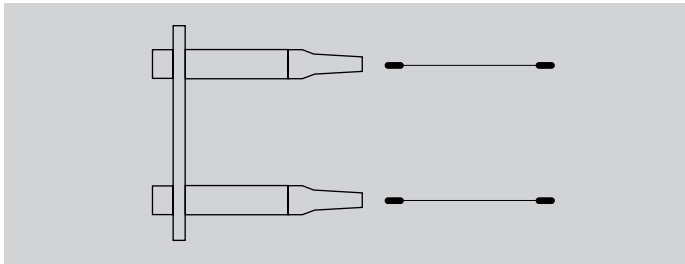
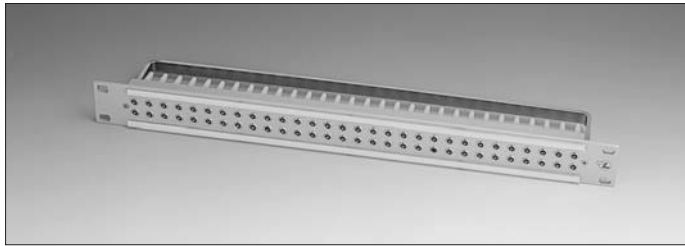
Ref.	Rear side connection
0A	LEMO coax (75 Ω)
BC	BNC (coax)

The 1 U panel is available only for the type «243».

● Patch Panel for Fiber Optic Applications

Fiber optic application

Connectors: **00 Series** (single mode or multimode)
0B Series (multimode)

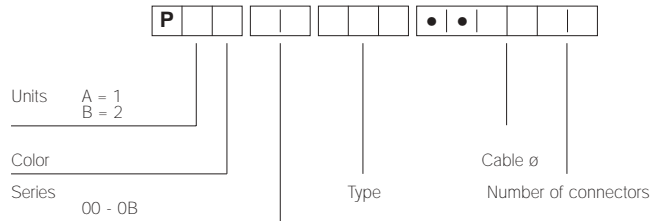


Front side connection		Rear side connection	
FGG 00 - 0B			
FO Bridge plug Cavalier FO 00			

- 1 U panel, with one row of 20 or 40 plugs of the 00 Series or 15 or 30 plugs of the 0B Series
- 1 U or 2 U panel, with two rows of 20 or 40 plugs of the 00 Series or 15 or 30 plugs of the 0B Series

Rear outputs for customer wiring.

Part number example



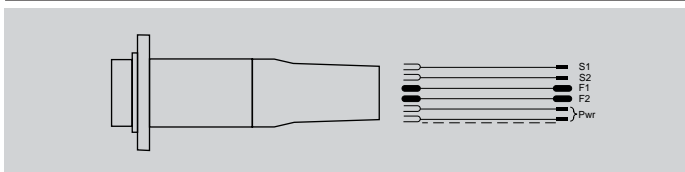
Series	Ref.	Type (ferrule internal diameter)	Series	Ref.	Cable ø
00	BB4	126 µm	00	10	0.25 – 1.1 mm
	BD4	128 µm		20	1.7 – 2.1 mm
	FB4	144 µm		25	2.4 – 2.8 mm
	GB3	235 µm		30	2.8 – 3.0 mm
0B	HB3	335 µm	0B	30	2.5 – 3.5 mm
	JB3	435 µm		35	3.5 – 4.0 mm
	KB3	640 µm		45	4.0 – 4.5 mm

Series	••	Front side connection	Ref.	Color
00	EG	Prise socket PEG	C	beige
00	FG	Prise socket PFG	G	grey
0B	KG	Prise socket PKG	N	black
			T	nat. anod.

● Patch Panel for HDTV Fiber Optic Applications

VIDEO application HDTV fiber optic

Connectors: **3K.93C with W key-way**
 Type: mixed F.O. + L.V. (single mode fiber)

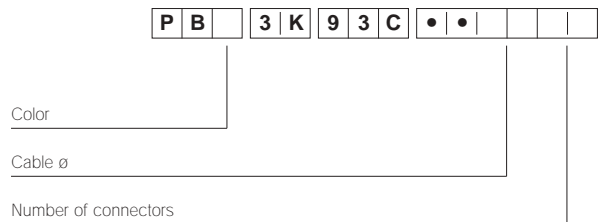


Front side connection		Rear side connection	
PHW 3K			
FGW 3K			

- 2 U panel, with one row of 6 or 10 plugs or sockets of the 3K.93C Series.

Rear output for customer wiring.

Part number example



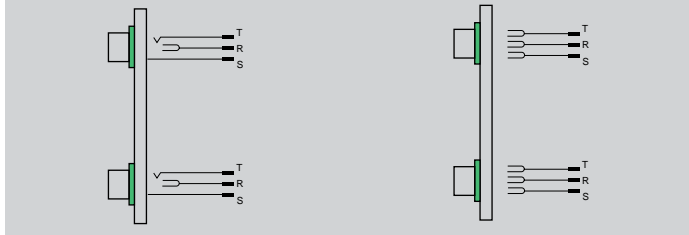
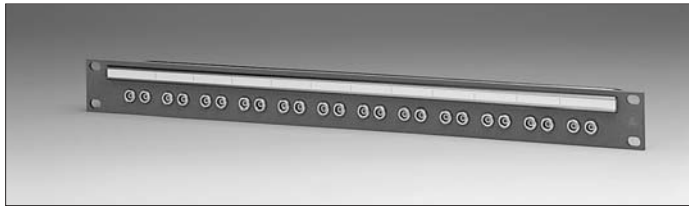
Ref.	Color
C	beige
G	grey
N	black
T	nat. anod.

Series	••	Front side connection
3K	MW	Plug FMW
	EW	Socket PEW
	BW	Socket PBW

Series	Ref.	Cable ø
3K	90	8.3 – 8.9 mm
	96	8.9 – 9.5 mm
	12	11.6 – 12.4 mm

● Patch Panel for Audio Applications

AUDIO application "Brought out only"
Connectors: 0S - 0B - 1B - 1D Series
Types triax - multipole (3 or 6) - Quadrax

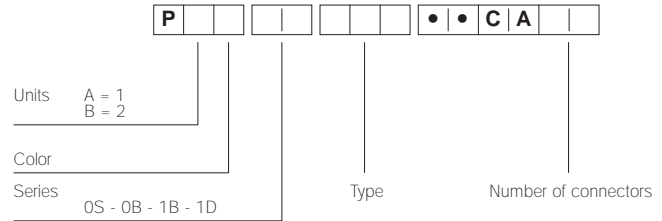


Front side connection		Rear side connection	
FFP-FFA 0S-1D			
FGG 0B-1B			
CFF-CRF-CRG 0S-0B-1B-1D			

- 1 U panel, with one row of 12, 24 or 30 insulated sockets of the 0S (triax) or 0B (3 contacts) Series or 20 sockets of the 1B (3 or 6 contacts) or 1D Series (quadrax) for Audio stereo applications
- 1 U panel, with two rows of 12, 20, 24 or 30 insulated sockets of the 0S (triax) or 0B (3 contacts) Series.
- 2 U panel, with two rows of 20 insulated sockets of the 1B (3 or 6 contacts) or 1D Series (quadrax) for Audio stereo applications.

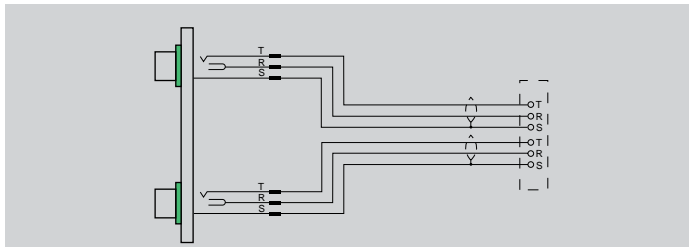
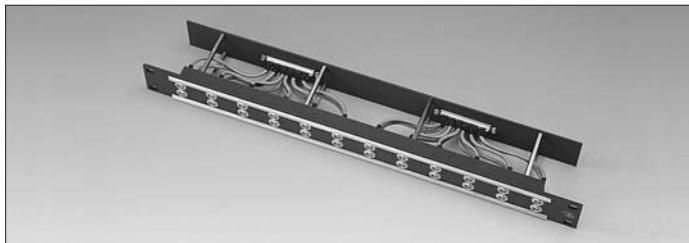
Rear outputs (T, R, S) for customer wiring.

Part number example



Ref.	Color	Ref.	••	Type
C	beige	303	GG	Multicontacts (3)
G	grey	306	GG	Multicontacts (6)
N	black	650	RN	Triaxial
T	nat. anod.	694	RN	Quadrax

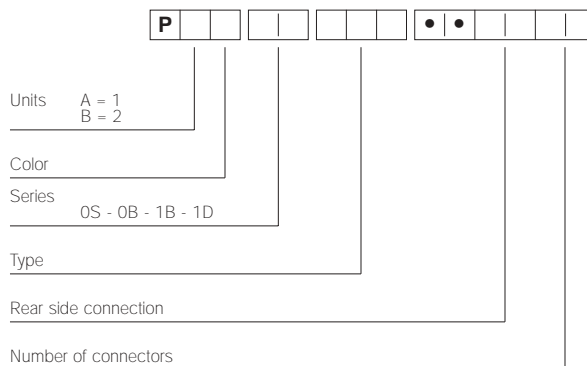
AUDIO application "Brought out only"
Connectors: 0S - 0B - 1B - 1D Series
Types triax - multipole (3 or 6) - Quadrax



Front side connection		Rear side connection	
FFP-FFA 0S-1D		FGG.5A	
FGG 0B-1B		Sub-D	
CFF-CRF-CRG 0S-0B-1B-1D		ELCO	

- 1 U panel, with one row of 12, 24 or 30 insulated sockets of the 0S (triax) or 0B (3 contacts) Series or 20 sockets of the 1B (3 or 6 contacts) or 1D Series (quadrax) for Audio stereo applications.
- 1 U panel, with two rows of 12, 24 or 30 insulated sockets of the 0S (triax) or 0B (3 contacts) Series.
- 2 U panel, with two rows of 20 insulated sockets of the 1B (3 or 6 contacts) or 1D Series (quadrax) for Audio stereo applications. Outputs on rear panel with LEMO 5A (36 contacts), Sub-D (37 contacts) or ELCO (90 contacts) connectors.

Part number example

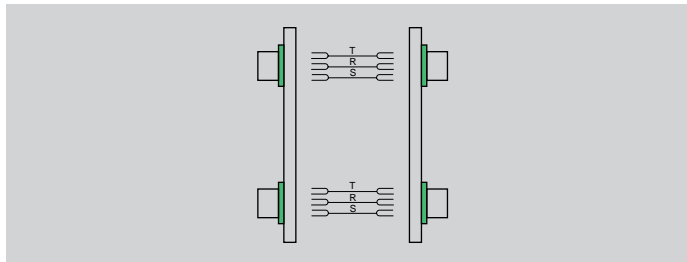
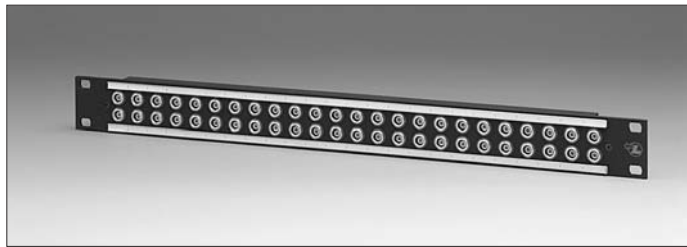


Ref.	Color	Ref.	••	Type
C	beige	303	GG	Multicontacts (3)
G	grey	306	GG	Multicontacts (6)
N	black	650	RN	Triaxial
T	nat. anod.	694	RN	Quadrax

Ref.	Rear side connection
5A	LEMO (36 contacts)
SD	Sub-D (37 contacts)
EL	ELCO (90 contacts)

● Patch Panel for Audio Applications

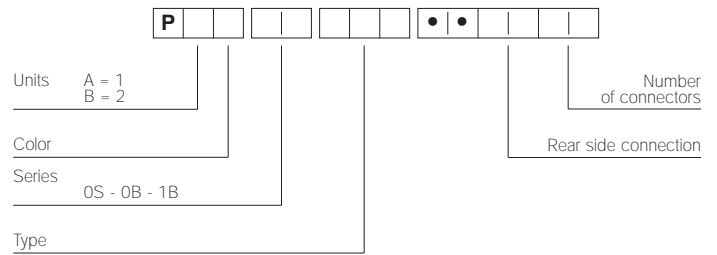
AUDIO application “Brought out only”
Connectors: 0S - 0B - 1B Series
Types triax - multipole (3 or 6)



Front side connection	Rear side connection
FFP 0S FGG 0B-1B CFF-CRF-CRG 0S-0B-1B	FFP 0S FGG 0B-1B

- 1 U panel, with one row of 30 insulated sockets of the 0S (triax) or 0B (3 contacts) or 1B (3 or 6 contacts) Series.
- 1 U panel, with two rows of 30 insulated sockets of the 0S (triax) or 0B (3 contacts) Series.
- 2 U panel, with two rows of 20 sockets of the 1B (3 contacts) Series or (6 contacts) for Audio stereo applications. Outputs on rear panel with LEMO 0S - 0B - 1B Series of the corresponding type.

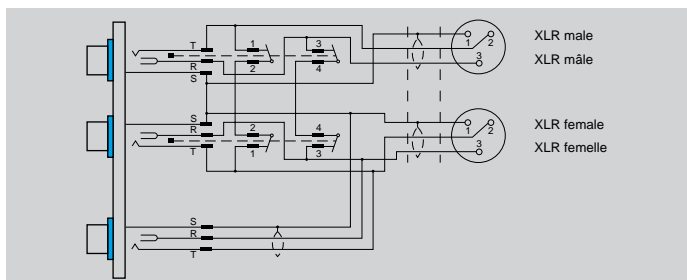
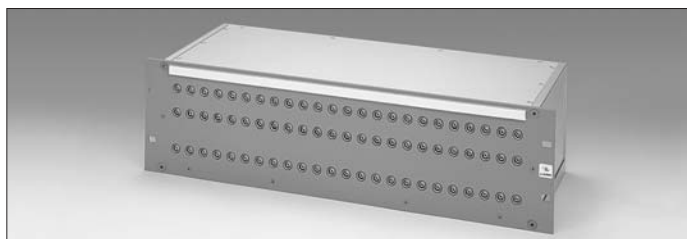
Part number example



Ref.	Color
C	beige
G	grey
N	black
T	nat. anod.

Ref.	••	Ref.	Type and rear side connection
303	MG	0B	LEMO (Multi. 3 contacts)
303	MG	1B	LEMO (Multi. 3 contacts)
306	MG	1B	LEMO (Multi. 3 - 6 contacts)
650	AD	0S	LEMO Triax

AUDIO application “Normals Strapped” (Full normalled) with monitoring output
Connectors: 0S Series Types triax



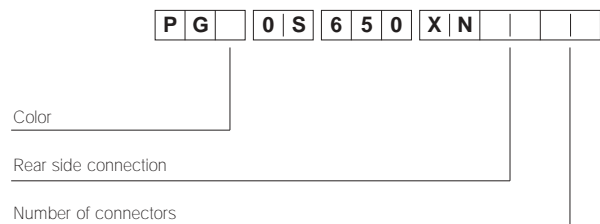
Front side connection	Rear side connection
FFP 0S	FGG.5A XLR male XLR mâle XLR female XLR femelle

- 3 U panel, with three rows of 24 insulated sockets of the 0S (triax) Series.

Normaling with full normals diagram made by microswitches.

Output (T, R, S) on rear panel with LEMO 5A (36 contacts), or XLR (3 contacts male or female).

Part number example

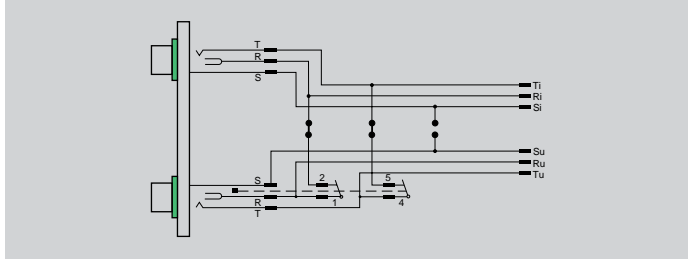


Ref.	Color
A	blue
C	beige
G	grey
N	black
T	nat. anod.

Ref.	Rear side connection
5A	LEMO (36 contacts)
XL	XLR (3 contacts) male
XL	XLR (3 contacts) female

● Patch Panel for Audio Applications

AUDIO application "Brought out" (Half normalled) Connectors: 0S Series Type triax



Front side connection	Rear side connection

■ 1 U panel, with two rows of 24 insulated sockets of the 0S (triax) Series. Normalling with half normals diagram for each pair of connection made by microswitches
Rear input (Ti, Ri, Si) and rear output (Tu, Ru, Su) for customer wiring.

Part number example

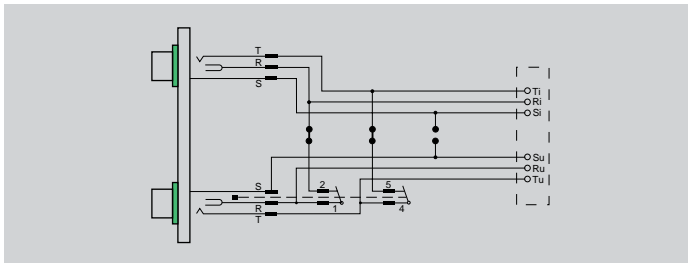
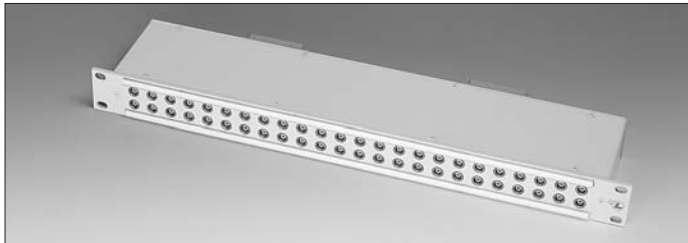
P A | **0 S** | **6 5 0** | **W M C A** | **4 8**

Units A = 1

Color

Ref.	Color
C	beige
G	grey
N	black
T	nat. anod.

AUDIO application "Brought out" (Half normalled) Connectors: 0S Series Type triax



Front side connection	Rear side connection

■ 1 U panel, with two rows of 24 insulated sockets of the 0S (triax) Series.

Normalling with half normals diagram for each pair of connection made by microswitches

Rear input (Ti, Ri, Si) and rear output (Tu, Ru, Su) on rear panel with LEMO 5A (36 contacts), Sub-D (37 contacts) or ELCO (90 contacts) connectors.

Part number example

P A | **0 S** | **6 5 0** | **W M** | | **4 8**

Units A = 1

Color

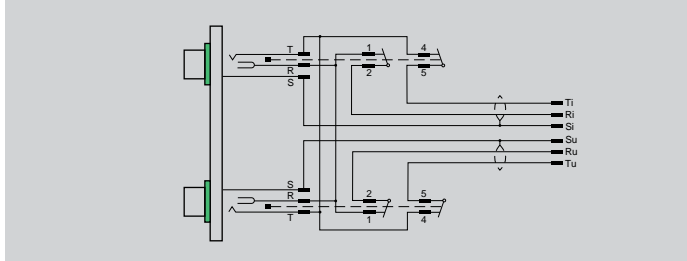
Rear side connection

Ref.	Color
C	beige
G	grey
N	black
T	nat. anod.

Ref.	Rear side connection
5A	LEMO (36 contacts) (x4)
SD	Sub-D (37 contacts) (x4)
EL	ELCO (90 contacts) (x2)

● Patch Panel for Audio Applications

AUDIO application "Brought out" (Full normalled) Connectors: OS Series Type triax



Front side connection	Rear side connection

- 1 U panel, with two rows of 24 insulated sockets of the OS (triax) Series.

Normalling with full normals diagram for each pair of connection made by microswitches.

Rear input (Ti, Ri, Si) and rear output (Tu, Ru, Su) for customer wiring.

Part number example

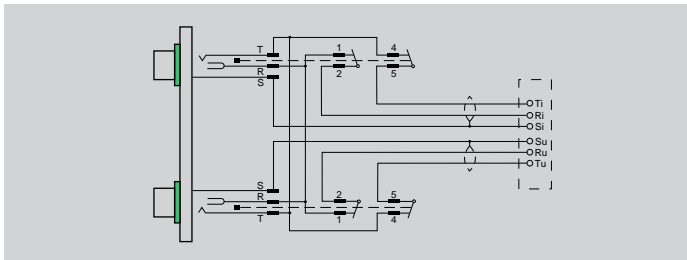
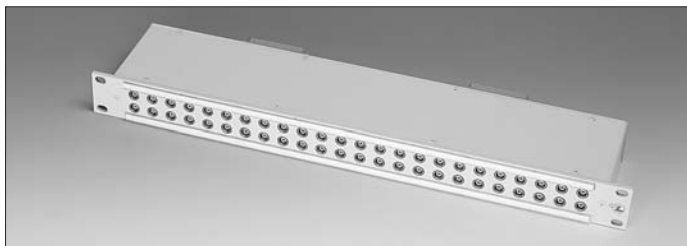
P A **0 S** **6 5 0** **S N C A 4 8**

Units A = 1

Color

Ref.	Color
C	beige
G	grey
N	black
T	nat. anod.

AUDIO application "Brought out" (Full normalled) Connectors: OS Series Type triax



Front side connection	Rear side connection

- 1 U panel, with two rows of 24 insulated sockets of the OS (triax) Series.

Normalling with full normals diagram for each pair of connection made by microswitches.

Rear input (Ti, Ri, Si) and rear output (Tu, Ru, Su) on rear panel with LEMO 5A (36 contacts), Sub-D (37 contacts) or ELCO (90 contacts) connectors.

Part number example

P A **0 S** **6 5 0** **S N** **4 8**

Units A = 1

Color

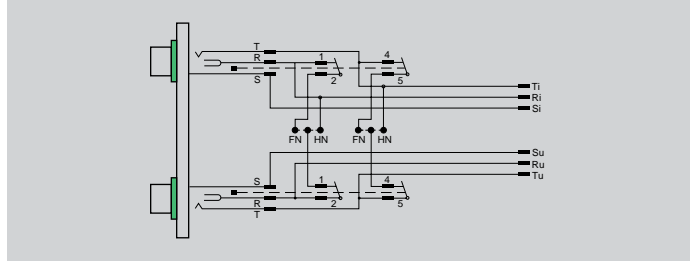
Rear side connection

Ref.	Color
C	beige
G	grey
N	black
T	nat. anod.

Ref.	Rear side connection
5A	LEMO (36 contacts) (x4)
SD	Sub-D (37 contacts) (x4)
EL	ELCO (90 contacts) (x2)

● Patch Panel for Audio Applications

AUDIO application "Brought out" (Full or Half normalled) Connectors: 0S Series Type triax



Front side connection	Rear side connection

- 1 U panel, with two rows of 24 insulated sockets of the 0S (triax) Series.

Normalizing with full normals diagram for each pair of connection made by microswitches. Half normals diagram possible with internal modification of the circuit.

Rear input (Ti, Ri, Si) and rear output (Tu, Ru, Su) for customer wiring.

Part number example

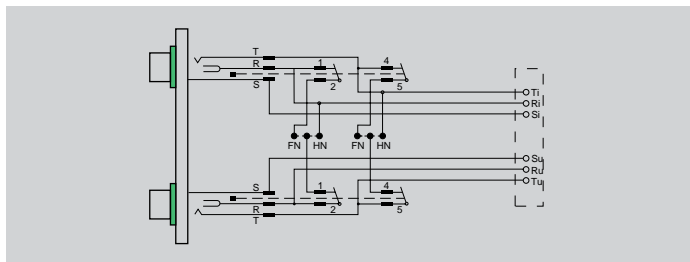
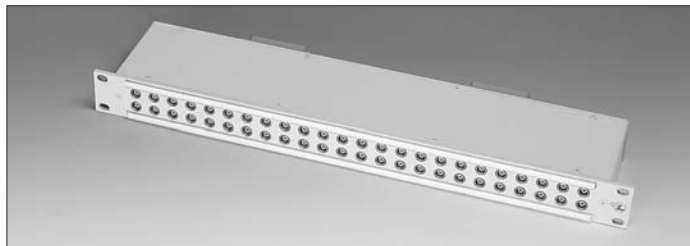
P
A
0
S
6
5
0
W
S
C
A
4
8

Units A = 1

Color

Ref.	Color
C	beige
G	grey
N	black
T	nat. anod.

AUDIO application "Brought out" (Full or Half normalled) Connectors: 0S Series Type triax



Front side connection	Rear side connection

- 1 U panel, with two rows of 24 insulated sockets of the 0S (triax) Series. Normalizing with full normals diagram for each pair of connection made by microswitches. Half normals diagram possible with internal modification of the circuit.

Rear input (Ti, Ri, Si) and rear output (Tu, Ru, Su) on rear panel with LEMO 5A (36 contacts), Sub-D (37 contacts) or ELCO (90 contacts) connectors.

Part number example

P
A
0
S
6
5
0
W
S

4
8

Units A = 1

Color

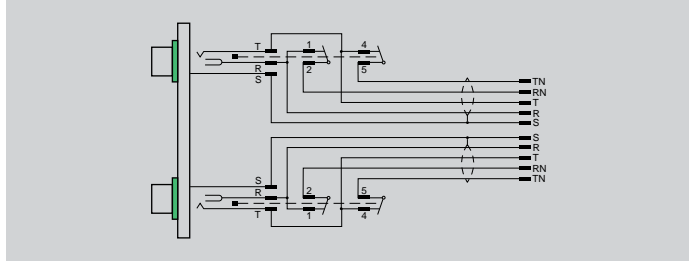
Rear side connection

Ref.	Color
C	beige
G	grey
N	black
T	nat. anod.

Ref.	Rear side connection
5A	LEMO (36 contacts) (x4)
SD	Sub-D (37 contacts) (x4)
EL	ELCO (90 contacts) (x2)

● Patch Panel for Audio Applications

AUDIO application "Normals Brought out" Connectors: OS Series Triax



Front side connection Connexion avant	Rear side connection

- 1 U panel, with two rows of 24 insulated sockets of the OS (triax) Series.

Normals brought out (T-TN, R-RN, S) diagram for each pair of connection made by microswitches.

Rear outputs (T, TN, R, RN, S) for customer wiring.

Part number example

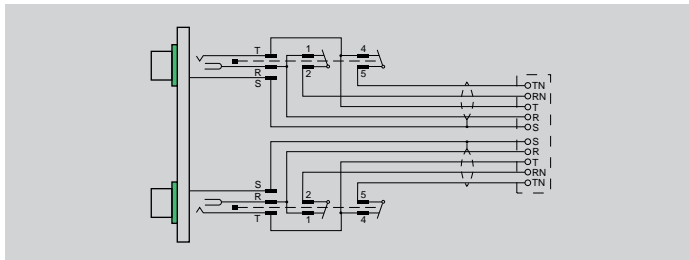
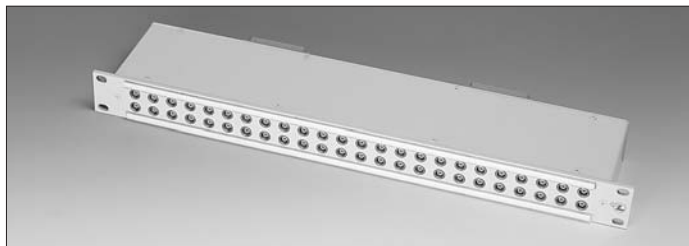
P
A
0
S
6
5
0
Y
N
C
A
4
8

Units A = 1

Color

Ref.	Color
C	beige
G	grey
N	black
T	nat. anod.

AUDIO application "Normals Brought out" Connectors: OS Series Triax



Front side connection	Rear side connection

- 2 U panel, with two rows of 24 insulated sockets of the OS (triax) Series.

Normals brought out (T-TN, R-RN, S) diagram for each pair of connection made by microswitches.

Outputs (T, TN, R, RN, S) on rear panel with LEMO 5A (36 contacts), Sub-D (37 contacts) or ELCO (90 contacts) connectors.

Part number example

P
B
0
S
6
5
0
Y
N

4
8

Units B = 2

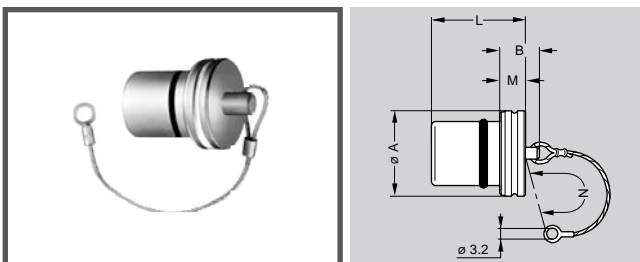
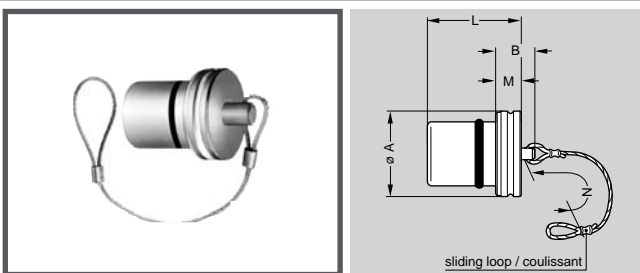
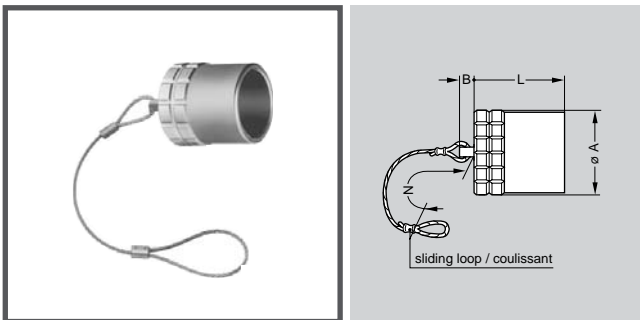
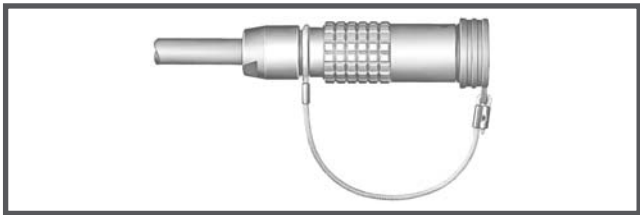
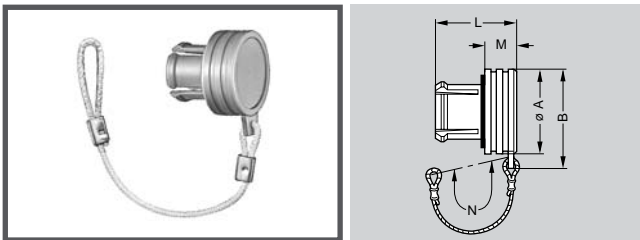
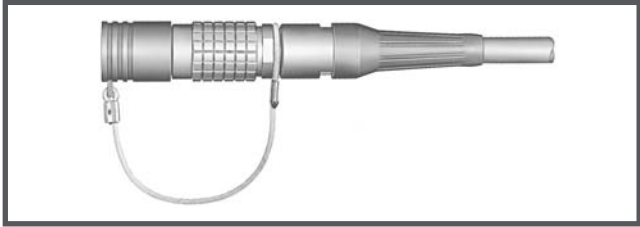
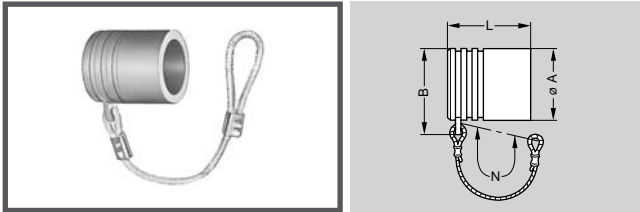
Color

Rear side connection

Ref.	Color
C	beige
G	grey
N	black
T	nat. anod.

Ref.	Rear side connection
5A	LEMO (36 contacts) (x7)
SD	Sub-D (37 contacts) (x7)
EL	ELCO (90 contacts) (x3)

● Accessories



Plug cap

This plug cap can only be used with plugs fitted with a key (G).

Part Number	Series	Dimensions (mm)				Weight (g)	Availability
		A	B	L	N		
BFG.0B.100.PCSG	0S-0B	9.5	12	12.2	55	0.8	○
BFG.1B.100.PCSG	1S-1B	12.0	15	13.8	62	1.3	○
BFG.2B.100.PCSG	2B	15.0	18	15.0	75	1.8	○
BFG.3B.100.PCSG	3B	18.5	22	18.5	95	3.1	○

On request this plug cap is available in black. For ordering replace the last 'G' part number letter by 'N':

- Max. operating temp. : 100°C (212°F)
- Watertightness : IP61 as per IEC 529
- Materials: see BRD

Blanking cap for free socket

Part Number	Series	Dimensions (mm)					Weight Masse (g)	Availability
		A	B	L	M	N		
BRD.0B.200.PCSG	0S-0B	10	12.5	11.0	4.8	55	0.8	○
BRD.1B.200.PCSG	1S-1B	14	17.0	13.5	5.6	62	1.4	○
BRD.2B.200.PCSG	2S-2B	18	21.0	14.5	6.0	75	2.1	○
BRD.3B.200.PCSG	3S-3B	22	25.5	17.0	7.0	95	3.5	○

On request this cap is available in black instead of grey. For ordering replace the last 'G' part number letter by 'N':

- Max. operating temp. : 100°C (212°F)
- Watertightness : IP61 as per IEC 529
- Body material: Polyoxymethylene (POM) grey (or black)
- Cord material: Polyamide 6, white (or black)
- O ring material: Silicone rubber

Plug cap

Part Number	Series	Dimensions (mm)				Weight (g)	Availability
		A	B	L	N		
BFG.2K.100.NAS	2K	19.5	6	20.0	85	19	○
BFG.3K.100.NAS	3K	23.0	6	24.0	120	28	○
BFA.4E.100.NAS	4E	29.0	10	24.5	120	37	○
BFG.4K.100.NAS	4K-4M	29.0	10	24.5	120	37	○
BFG.5K.100.NAS	5K	44.0	10	29.0	150	123	○
BFG.4B.100.NAS	4B	25.0	10	20.0	120	33	○
BFG.5B.100.NAS	5B	36.0	10	27.0	150	84	○

• Body material: Brass (UNS C 38500), nickel-plated (Ni 3µm)

Blanking caps for free sockets

Part Number	Series	Dimensions (mm)					Weight (g)	Availability
		A	B	L	M	N		
BRF.2K.200.NAS	2K	20.5	14	24.0	8	85	22	○
BRF.3K.200.NAS	3K	24.0	14	28.0	8	120	29	○
BRF.4K.200.NAS	4K-4E-4M	30.0	20	30.5	10	120	51	○
BRF.5K.200.NAS	5K	44.0	22	37.0	12	150	102	○

• Body material: Brass (UNS C 38500), nickel-plated (Ni 3µm)
• O-ring material: silicone rubber

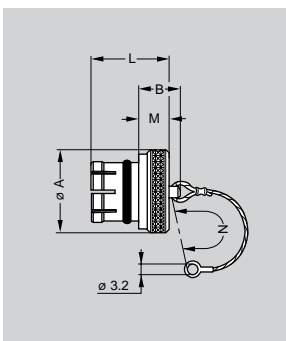
Blanking caps for fixed sockets

Part Number	Series	Dimensions (mm)					Weight (g)	Availability
		A	B	L	M	N		
BRE.2K.200.NAS	2K	20.5	14	24.0	8	85	22	○
BRE.3K.200.NAS	3K	24.0	14	28.0	8	120	29	○
BRE.4K.200.NAS	4K-4E-4M	30.0	20	30.5	10	120	51	○
BRE.5K.200.NAS	5K	44.0	22	37.0	12	150	102	○

• Body material: Brass (UNS C 38500), nickel-plated (Ni 3µm)
• O-ring material: silicone rubber

● Standard, typically 0-6 weeks delivery for quantities of 250 or less.
○ Non-standard product, contact LEMO USA, typically 6-12 weeks delivery for quantities of 250 or less.
Non-standard product is defined as any product which contains one or more components which are not standard.

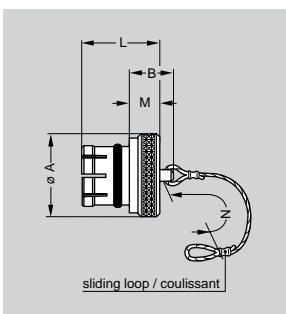
● Accessories



Blanking caps for fixed sockets

Part Number	Series	Dimensions (mm)					Weight (g)	Availability
		A	B	L	M	N		
BRE.00.200.NAS	00	8	9.5	8.8	3.5	60	6	○
BRE.0S.200.NAS	0S-0B	10	10.5	10.5	4.5	85	7	○
BRE.1S.200.NAS	1S-1B-1D	14	11.0	12.5	5.0	85	9	○
BRE.2S.200.NAS	2B	18	12.0	14.0	6.0	85	16	○
BRE.3S.200.NAS	3B	22	14.0	18.0	8.0	120	21	○
BRE.4S.200.NAS	4B	28	20.0	23.0	10.0	120	45	○
BRE.5S.200.NAS	5B	40	22.0	30.0	12.0	150	77	○

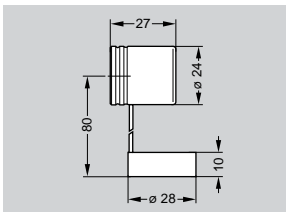
- Body material: Brass (UNS C 38500), nickel-plated (Ni 3µm)
- O-ring material: silicone



Blanking caps for free sockets

Part Number	Series	Dimensions (mm)					Weight (g)	Availability
		A	B	L	M	N		
BRF.0S.200.NAS	0S-0B	10	10.5	10.5	4.5	85	7	○
BRF.1S.200.NAS	1S-1B-1D	14	11.0	12.5	5.0	85	9	○
BRF.2S.200.NAS	2B	18	12.0	14.0	6.0	85	16	○
BRF.3S.200.NAS	3B	22	14.0	18.0	8.0	120	21	○
BRF.4S.200.NAS	4B	28	20.0	23.0	10.0	120	45	○
BRF.5S.200.NAS	5B	40	22.0	30.0	12.0	150	77	○

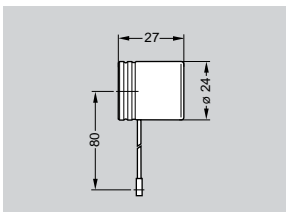
- Body material: Brass (UNS C 38500), nickel-plated (Ni 3µm)
- O-ring material: silicone



Plug cap

Part Number	Series	For models	Weight (g)	Availability
BFA.3K.170.800EN	3K	FGW	11.8	○

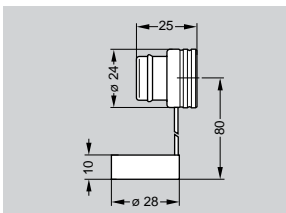
- Material: Black EPDM



Plug cap

Part Number	Series	For models	Weight (g)	Availability
BHA.3K.100.715EN	3K	FXW-FMW	8.3	○

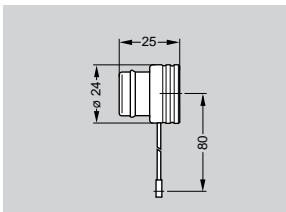
- Material: Black EPDM



Blanking cap for free sockets

Part Number	Series	For models	Weight (g)	Availability
BRD.3K.170.800EN	3K	PHW	11.8	○

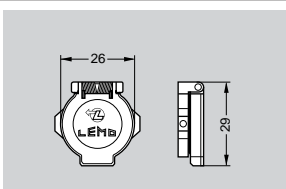
- Material: Black EPDM



Blanking cap for fixed socket

Part Number	Series	For models	Weight (g)	Availability
BRA.3K.100.715EN	3K	EBW- EDW ENW-PEW PBW	7.9	○

- Material: Black EPDM



Spring dust cap

Part Number	Series	For models	Weight (g)	Availability
BRR.3K.200.PZSG	3K	EDW- EBW	7.8	○

● Standard, typically 0-6 weeks delivery for quantities of 250 or less.
 ○ Non-standard product, contact LEMO USA, typically 6-12 weeks delivery for quantities of 250 or less.
 Non-standard product is defined as any product which contains one or more components which are not standard.

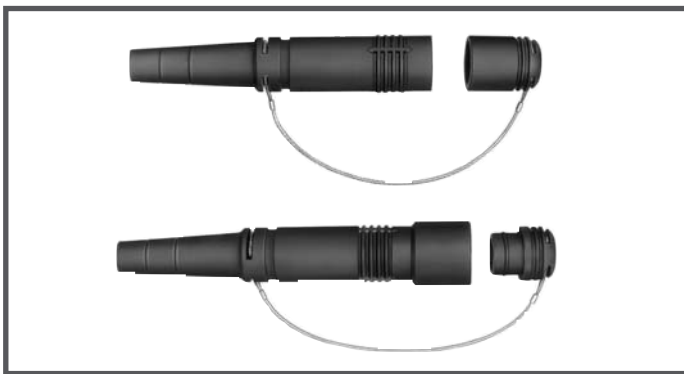
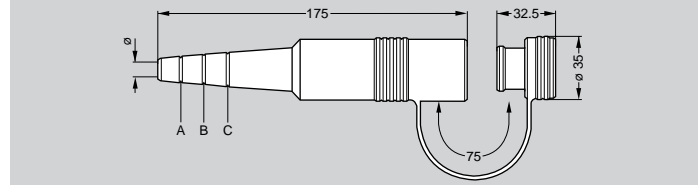
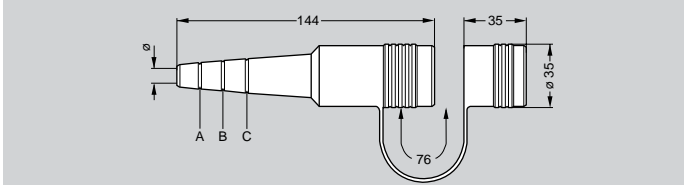
● Accessories



Bend relief with cap for plugs and free sockets

Part Number	Series	For models	Cut	Admissible ϕ (mm)		Availability
				min.	max.	
GMF.4A.080.145NN	4A	FFB FXB-FXC	-	7	10	○
			A	10	12	
GMP.4A.080.145NN	4A	PCA PXA	B	12	14	○
			C	14	16	

• Material: Black neoprene



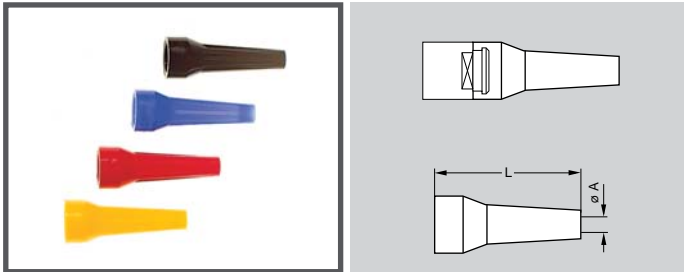
Bend relief with cap for plug and free socket

Part Number	Series	For models	Availability
GMF.3K.085.EANZ	3K	FUW	○
GMP.3K.085.EANZ	3K	PUW	○

• Material: Black EPDM

Part Number	Ring Color
GMF.3K.265.RG	grey
GMF.3K.265.RN	black
GMF.3K.265.RR	red
GMF.3K.265.RV	green

For identification purposes, a colore ring can be installed on this bend relief.



Bend relief

The cable entry of plug and socket models with cable collet can be protected by a grey sleeve made of polyurethane. This accessory is supplied according to the part number below.

The last letter 'G' of the part number indicates grey color of the bend relief. For ordering a strain relief with an other color, see adjacent table and replace the letter 'G' by the letter of the color required.

Ref.	Color
A	blue
B	white
G	grey
J	yellow
M	brown
N	black
R	red
S	orange
V	green

• Material : Polyurethane (Desmopan 786)
• Temperature range: -40°C +80°C (-40°F +176°F)

¹⁾ Does not apply to fiber optic connectors.



Part Number	Series	Dimensions (mm)				Collet nut for bend relief
		strain relief		cable ϕ		
		A	L	max.	min.	
GMF.00.018.DN	00	1.8	20	2.2	1.8	-
GMA.0B.025.DG	0A-0S 0B	2.5	24	2.9	2.5	FFM.0B.130.LC FFM.0S.130.LC FFM.0B.130.LC
GMA.0B.030.DG		3.0	24	3.4	3.0	
GMA.0B.035.DG		3.5	24	3.9	3.5	
GMA.0B.040.DG		4.0	24	4.4	4.0	
GMA.0B.045.DG		4.5	24	5.2	4.5	
GMA.1B.025.DG	1B-1S	2.5	30	2.9	2.5	FFM.1B.130.LC FFM.1S.130.LC
GMA.1B.030.DG		3.0	30	3.4	3.0	
GMA.1B.035.DG		3.5	30	3.9	3.5	
GMA.1B.040.DG		4.0	30	4.4	4.0	
GMA.1B.045.DG		4.5	30	4.9	4.5	
GMA.1B.054.DG		5.4	30	6.0	5.4	
GMA.1B.065.DG		6.5	30	7.0	6.5	
GMA.2B.040.DG	2B-2K	4.0	36	4.5	4.0	FFM.2B.130.LC FFM.2E.130.LC
GMA.2B.045.DG		4.5	36	5.0	4.5	

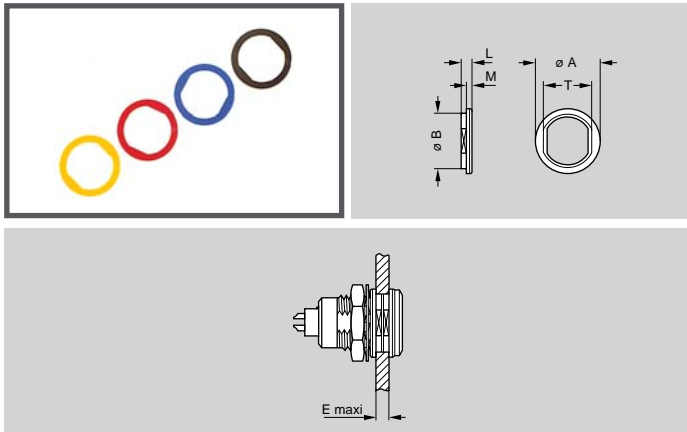
Part Number	Series	Dimensions (mm)				Collet nut ¹⁾ for bend relief
		bend relief		cable ϕ		
		A	L	max.	min.	
GMA.2B.050.DG	2B-2K	5.0	36	5.5	5.0	FFM.2B.130.LC FFM.2E.130.LC
GMA.2B.060.DG		6.0	36	6.5	6.0	
GMA.2B.070.DG		7.0	36	7.5	7.0	
GMA.2B.080.DG		8.0	36	9.0	8.0	
GMA.3B.050.DG	3B-3K	4.5	42	5.2	4.5	FFM.3B.130.LC FFM.3E.130.LC
GMA.3B.070.DG		7.0	42	7.9	7.0	
GMA.3B.080.DG		8.0	42	8.9	8.0	
GMA.3B.090.DG		9.0	42	10.0	9.0	
GMA.4B.080.DG	4B-4K 4A-4M	8.0	60	9.0	8.0	FFM.4B.130.LC FFM.4E.130.LC FFM.4A.130.LC
GMA.4B.010.DG		10.0	60	10.9	10.0	
GMA.4B.011.DG		11.0	60	11.9	11.0	
GMA.4B.012.DG		12.0	60	13.0	12.0	
GMA.4B.013.DG		13.5	60	14.5	13.5	

● Standard, typically 0-6 weeks delivery for quantities of 250 or less.

○ Non-standard product, contact LEMO USA, typically 6-12 weeks delivery for quantities of 250 or less.

Non-standard product is defined as any product which contains one or more components which are not standard.

● Accessories



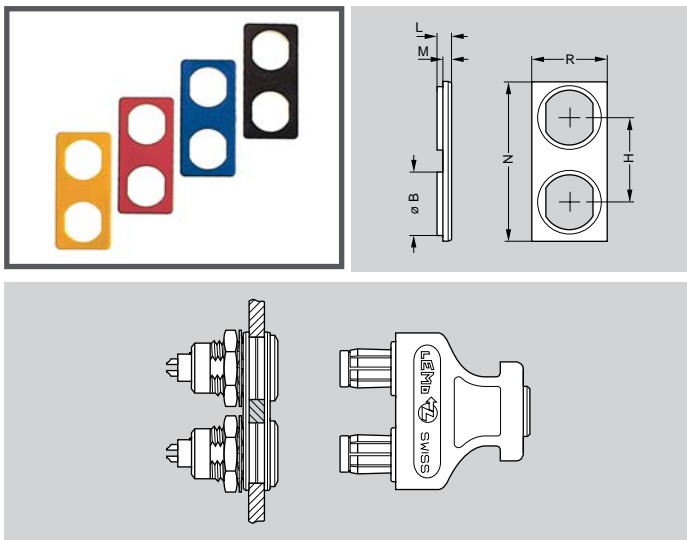
Insulating washer

Part Number	Series	Dimensions (mm)						Weight (g)
		A	B	E	L	M	T	
GRA.0S.269.GG	0A-0S 0B	12	10.8	6.0	1.8	1.0	9.9	0.1
GRA.1S.269.GG	1S-1B	16	13.8	6.5	1.8	1.0	12.2	0.2
GRA.3S.269.GG	3S-3B	25	21.8	10.3	2.2	1.2	20.2	0.5

Chassis-mounted sockets can be fitted with insulating washers. These washers, available in nine colors, can be used together with colored sleeves on mating plugs for coding purposes, or in pairs for insulating purposes.

The last letter 'G' of the part number indicates grey color of the washers. For ordering washers with another color, see the table below and replace letter 'G' by the letter of the color required.

- Material: Polyamide (PA 6)
- Operating temp.: -40°C +90°C (-40°F +194°F)



Double panel washer

Part Number	Series	Dimensions (mm)						Weight (g)
		B	H	L	M	N	R	
GRC.0S.260.HG	0S-0B	10.9	14	2.5	1.5	26.5	12.5	0.5
GRC.1B.260.HG	1S-1B	13.9	20	3.3	1.8	34.5	14.5	0.8

Double panel washers facilitate drilling of panel holes when mounting two ERA or EGG sockets and two PSA or PKG sockets used in connection with a CFF, CRF or CRG bridge-plug. These washers, available in nine colors, can be used together with colored sleeves on mating plugs for coding purposes, or in pairs for insulating purposes.

The last letter 'G' of the part number indicates grey color of the washers. For ordering washers with another color, see adjacent table and replace letter 'G' by the letter of the color required.

Ref.	Color
A	blue
B	white
G	grey
J	yellow
M	brown
N	black
R	red
S	orange
V	green

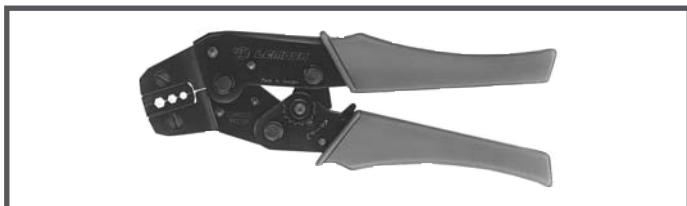
- Material: Polyamide (PA 6)
- Max. temp.: 90°C (194°F)

● Tooling for Fiber Optic Connectors



Polishing tool for fiber optic contacts F2

Part Number	Spring-loaded tool for polishing terminated fiber optic connectors.
DCS.91.F24.LC	



Crimping tool for fiber optic contact types F1, F2, F3 and F4

Part Number	Dimensions (mm)
DPE.99.524.337K	



Extractor for F2 fiber optic contact

Part Number
DCC.91.312.5LA

● Accessories for Fiber Optic Connectors



F2 Contact Alignment Device Installation/Extraction Tool

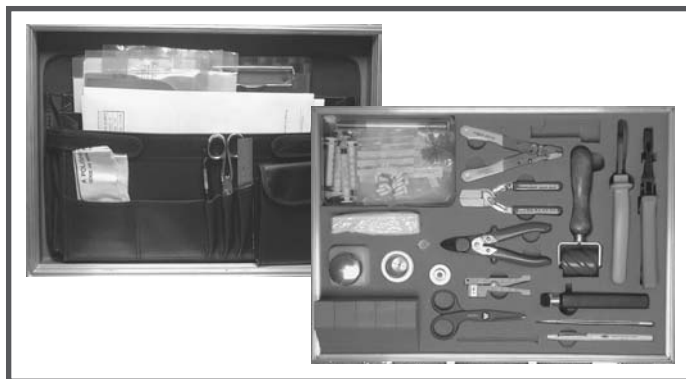
Part Number	Contact Type
DCS.F2.035.PN	F2



WST Cleaning Kit

Part Number	Contact Type
WST.KI.125.34	F1, F2, F3, F4

● Workstation Accessories



Complete Workstation

The LEMO Workstation Features:

- Comprehensive range of tools for terminating both single mode and multi-mode fibers in F2 contacts.
- Detachable termination case lid for use as polishing platform during field termination.
- Precision spring loaded polishing tools for accurate polishing of fiber end faces.
- Rugged but aesthetically pleasing termination case which is ideal for field use or in-house terminations.

Part Number
DRV.91.CF2.PN

● Workstation Accessories



Epoxy Curing Oven

Part Number	Voltage
WST.FR.220.VA	220 volts
WST.FR.110.VA	110 volts

Not included in the complete workstation.

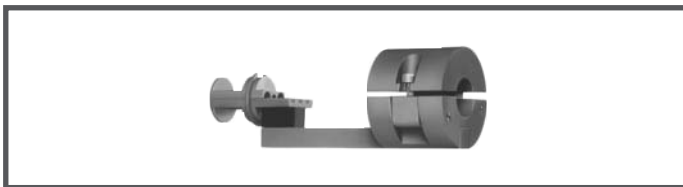


Fiber Inspection Microscope

Part Number
WST.FB.G10.4N

Not included in the complete workstation.

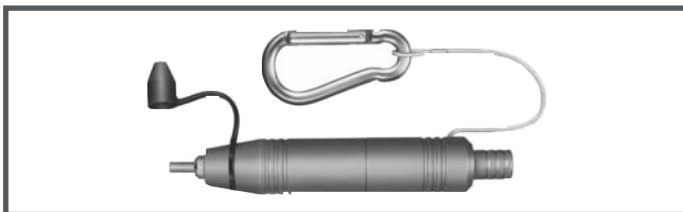
● Tooling



Epoxy curing jig

Part Number
DCS.91.F12.3LA

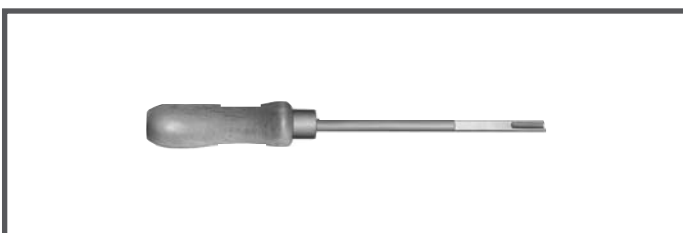
Not included in the complete workstation.



F2 contact cleaning tool

Part Number
DCS.91.F23.LA

Not included in the complete workstation.

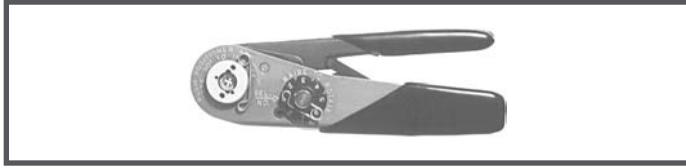


Tightening tool (for 00 series screw-coupling plugs)

Part Number
DCL.91.516.5TK

● Tooling

Manual crimping tool for LV contacts



Supplier	Reference		
	contact ø 0.5-0.7-0.9-1.3	contact ø 1.6-2.0	contact ø 3.0-4.0
LEMO	DPC.91.701.V ¹⁾	DPC.91.101.A ²⁾	DPC.91.102.V
DANIELS	MH 860 ¹⁾	AF 8 ²⁾	M 300 BT
ASTRO	616336 ¹⁾	615708 ²⁾	-

1) According to specification MIL-C-22520/7-01
2) According to specification MIL-C-22520/1-01

Pneumatic crimping tool for LV contacts



Supplier	Reference		
	contact ø 0.5-0.7-0.9-1.3	contact ø 1.6-2.0	contact ø 3.0-4.0
LEMO	DPC.91.701.C ¹⁾	DPH.91.101.C ²⁾	DPH.91.101.C
DANIELS	WA 22 P ¹⁾	WA 27 F ²⁾	-
ASTRO	621101 ¹⁾	612141 ²⁾	-

1) According to specification MIL-C-22520/7-01
2) According to specification MIL-C-22520/1-01

Turret for male and female 2.0 mm ø contacts



Connector			Part Number
Series	Contact ø	AWG Conductor	
5B-5K	2.0	12-14-16	DCE.91.205.BVCM

These turrets can be used with both manual and pneumatic crimping tools according to MIL-C-22520/1-01 standard.

Crimping tool with dies for coax and triax cables



Series	Type	Connector			Part Number
		Coax Type	Imp. (Ω)	Cable gr.	
00	250	-	50	1	DPE.99.123.1K
				3	DPE.99.123.8K
0A	275	-	75	2	DPE.99.003.8K
				5	DPE.99.005.5K
				6-8	DPE.99.127.0K ¹⁾
1S	275	-	75	5	DPE.99.203.8K
				7	DPE.99.207.0K
				8	DPA.99.209.5K
				9	DPA.99.227.5K
4A	675	Triax	75	1-2-3-9	DPE.99.217.5K
				5-6-7	DPD.99.211.2K
				0	DPD.99.301.3K
2B-2K	810	C	50-75	1-3	DPE.99.103.8K
				50	DPE.99.103.1K
3B-3K	242-243 856-862 844-850	C	50-75	1-3	DPE.99.103.8K
				50	DPE.99.103.1K
4B-4K	244-852 856-858 879-885	C	50-75	1-3	DPE.99.103.8K
				50	DPE.99.103.1K
5B-5K	240	C	50-75	1-3	DPE.99.103.8K
				50	DPE.99.103.1K
	273-274	B	75	5	DPE.99.127.0K
				3	DPE.99.123.8K
				0	DPA.99.178.5K
	856-876 857-877	B	50	1	DPE.99.123.8K
				2	DPE.99.123.1K
				3	DPE.99.123.8K
				5	DPE.99.127.0K
	892	D	75	5	6
5				DPE.99.006.2K	

1) For crimp contact mode

Positioners for 0.5, 0.7, 0.9 and 1.3 mm ø crimp contacts



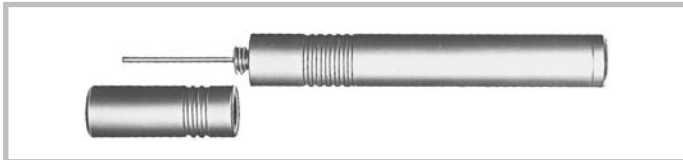
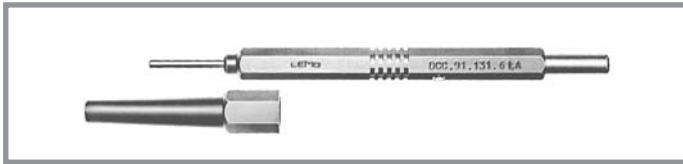
Connector			Positioner	
Series	Contact ø	AWG Conductor	For male contact: Part Number	For female contact: Part Number
00	0.5	28-30-32	DCE.91.050.OVC	DCE.91.050.OVM
0B	0.9	20-22-24-26	DCE.91.090.BVC	DCE.91.090.BVM
1B	1.3	18-20-22-24	DCE.91.131.BVC	DCE.91.131.BVM
	0.7	22-24-26	DCE.91.071.BVC	DCE.91.071.BVM
2B-2K	0.9	20-22-24	DCE.91.092.BVC	DCE.91.092.BVM
	0.7	22-24-26	DCE.91.072.BVC	DCE.91.072.BVM
3B-3K	0.9	20-22-24	DCE.91.093.BVC	DCE.91.093.BVM
	0.7	22-24-26	DCE.91.073.BVC	DCE.91.073.BVM
4B-4K	1.3	18-20-22	DCE.91.134.BVC	DCE.91.134.BVM
	0.9	20-22-24	DCE.91.094.BVC	DCE.91.094.BVM
	0.7	22-24-26	DCE.91.074.BVC	DCE.91.074.BVM
5B-5K	0.9	20-22-24	DCE.91.095.BVC	DCE.91.095.BVM

The above positioners only apply to B and K Series. They can be used with both manual and pneumatic crimping tools according to MIL-C-22520/7-01 standard.
Note: A wide variation of strand number and diameter combinations are quoted as being AWG, some of which do not have a large enough cross section to guarantee a crimp per either MIL-C-22520/1-01 or 7-01 standards.

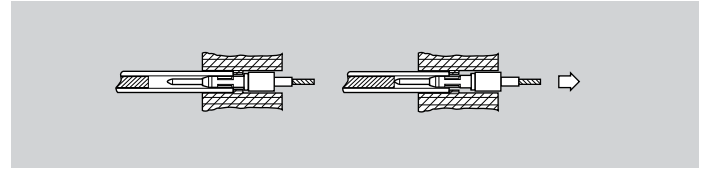
● Tooling

Extraction tools for crimping contacts (LV)

Both tools are used for male and female contacts.

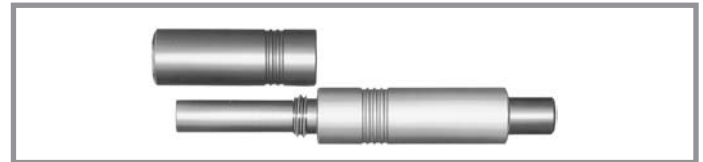


Connector			Thumb-operated model Part Number	Automatic model Part Number
Series	Type	∅ Contact (mm)		
00	302-303	0.5	DCC.91.050.1LA	DCF.91.050.1LT
0B	303	0.9	DCC.91.090.5LA	DCF.91.090.5LT
1B	303	1.3	DCC.91.131.5LA	DCF.91.131.5LT
	306	0.7	DCC.91.070.5LA	DCF.91.070.5LT
2B-2K	802	0.9	DCC.91.090.5LA	DCF.91.090.5LT
	804-806-810	0.7	DCC.91.070.5LA	DCF.91.070.5LT
3B-3K	803-812	0.9	DCC.91.090.5LA	DCF.91.090.5LT
	806-809-813	0.7	DCC.91.070.5LA	DCF.91.070.5LT
	844-862	0.9	DCC.91.090.5LA	DCF.91.090.5LT
	850-856	0.7	DCC.91.070.5LA	DCF.91.070.5LT
	93C-93E	0.9	DCC.91.090.5LA	DCF.91.090.5LT
	93J-93R-92X	0.7	DCC.91.070.5LA	DCF.91.070.5LT
4B-4K	802-804-806	0.9	DCC.91.090.5LA	DCF.91.090.5LT
	822-824-826	0.9	DCC.91.090.5LA	DCF.91.090.5LT
	844-852-856	0.9	DCC.91.090.5LA	DCF.91.090.5LT
	858-879-885	0.9	DCC.91.090.5LA	DCF.91.090.5LT
	93L-93R	0.9	DCC.91.090.5LA	DCF.91.090.5LT
	93E	1.3	DCC.91.131.5LA	DCF.91.131.5LT
5B-5K	856-876	0.9	DCC.91.090.5LA	DCF.91.090.5LT
	857-877	2.0	DCC.91.202.5LA	DCF.91.202.5LT
		0.9	DCC.91.090.5LA	DCF.91.090.5LT
	892	0.9	DCC.91.090.5LA	DCF.91.090.5LT

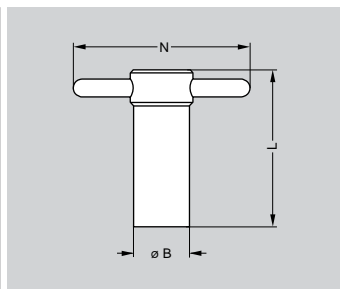
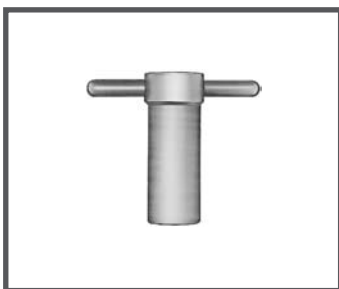


Extraction tools for coaxial contacts

Both tools are used for type B and C coaxial connections in multicoax and combined (Coax + LV) connectors.



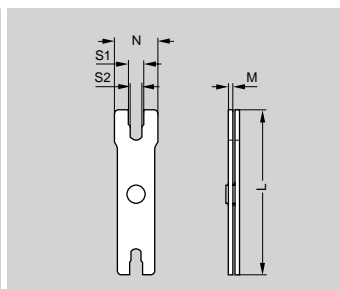
Connector			Extraction tool Part Number
Series	Type	Coax Type	
2B-2K	810	C	DCC.91.384.5LA
	242-844	C	DCC.91.384.5LA
3B-3K	243-862	C	DCC.91.393.4LT
	850-856	C	DCC.91.384.5LA
4B-4K	244-852	C	DCC.91.384.5LA
	856-858	C	DCC.91.384.5LA
	879-885	C	DCC.91.384.5LA
5B-5K	240	C	DCC.91.384.5LA
	273-274	B	DCC.91.808.0LC
	856-857	B	DCC.91.804.5LA
	876-877	B	DCC.91.804.5LA
	892	D	DCB.91.685.8TN



Spanners for hexagonal nuts

Part Number	Series	Dimensions (mm)			Nut reference
		B	L	N	
DCG.91.161.1TN	0A-0S-0B	16	45	52	GEA.0S.240.LN
DCG.91.201.4TN	1S-1B-1D	20	52	65	GEA.1S.240.LN
DCG.91.231.7TN	2B	23	62	68	GEA.2S.240.LN
DCG.91.282.2TN	3B	28	76	73	GEA.3S.240.LN

• Material: Blackened steel



Flat spanners for collet nuts

Part Number	Series	Dimensions (mm)				
		L	M	N	S1	S2
DCP.91.001.TN	0B	95	2.5	21	8.1	7.1
	1B-1D	95	2.5	25	10.1	9.1
DCP.91.023.TN	2B	115	3.0	30	13.1	12.1
	3B	115	3.0	35	15.1	14.1
DCP.91.045.TN	4B	130	3.5	40	21.2	20.2
	5B	130	3.5	45	31.2	30.2

• Material: Blackened steel

● Recommended Coaxial and Triaxial Cables

Recommended coaxial cables

Reference		Imp. (Ω)	Construction and dimensions (mm)										Series							
			Conductor			Insulation		Screen		Sheath			Weight kg/100m	0A	1S	3T	2B-2K	3B-3K	4B-4K	5B-5K
			Constr.	Mat.	ø	Mat.	ø	Mat.	ø	Mat.	ø	Mat.								
MIL-C-17 E	IEC 96-2																			
RG.6A/U		75±3.0Ω	solid	CuSt	0.73	PE	4.70	AgCu	6.2	PVC*	8.4	10.70		●				●	●	
RG.11A/U	75-7-1	75±3.0Ω	7x0.4	CuSn	1.20	PE	7.25	Cu	8.2	PVC*	10.3	14.00			●					
RG.58C/U	50-3-1	50±2.0Ω	19x0.18	CuSn	0.90	PE	2.95	CuSn	3.6	PVC*	5.0	3.80						●	●	
RG.59B/U		75±3.0Ω	solid	CuSt	0.60	PE	3.70	Cu	4.5	PVC*	6.1	5.00	●	●				●	●	
RG.144/U	75-7-1	75±3.0Ω	7x0.45	CuStAg	1.35	PTFE	7.25	CuAg	8.0	PTFE+GSI	10.4	20.00			●					
RG.174A/U	50-2-1	50±2.0Ω	7x0.16	CuSt	0.48	PE	1.50	CuSn	2.0	PVC*	2.8	1.10				●	●	●	●	
RG.178B/U	50-1-1	50±2.0Ω	7x0.1	CuStAg	0.30	PTFE	0.84	CuAg	1.3	FEP	1.8	0.85				●	●	●	●	
RG.179B/U	75-2-1	75±3.0Ω	7x0.1	CuStAg	0.30	PTFE	1.50	CuAg	2.0	FEP	2.5	1.50	●	●		●	●	●	●	
RG.187A/U	75-2-2	75±3.0Ω	7x0.1	CuStAg	0.30	PTFE	1.50	CuAg	2.0	PTFE	2.6	1.60				●	●	●	●	
RG.188A/U	50-2-3	50±2.0Ω	7x0.18	CuStAg	0.54	PTFE	1.50	CuAg	2.0	PTFE	2.6	1.60				●	●	●	●	
RG.196A/U	50-1-2	50±2.0Ω	7x0.1	CuStAg	0.30	PTFE	0.84	CuAg	1.3	PTFE	2.1	1.10				●	●	●	●	
RG.216/U		75±3.0Ω	7x0.4	CuSn	1.20	PE	7.25	Cu+Cu	8.8	PVC*	10.8	17.00			●					
RG.316/U	50-2-2	50±2.0Ω	7x0.18	CuStAg	0.54	PTFE	1.50	CuAg	2.0	FEP	2.5	1.60				●	●	●	●	
Dätwyler HF-5408/1		75±3.0Ω			0.60		3.80				5.6		●	●						
FMC 5381/74		75±3.0Ω	solid	CuSt	0.58	PE	3.80	CuSt	4.8	PVC	6.3		●							
Siemens 2 YCY (0.4/2.5)		75±1.5Ω	solid	CuSt	0.40	PE	2.50	Cu	2.8	PVC	3.8	2.20	●							
Siemens 2 YCCY (0.4/2.5)		75±1.5Ω	solid	CuSt	0.40	PE	2.50	Cu	3.7	PVC	4.5	2.20	●	●						
Lemo CCH.99.281.505	50-2-1	50±2.0Ω	7x0.18	Cu	0.54	PE	1.50	Cu	2.2	PoF	2.8	1.30				●	●	●	●	

Recommended triaxial cables

Reference		Basic coaxial cable	Imp. (Ω)	Construction and dimensions (mm)												Series				
				Conductor			Insulation 1		Screen 1		Insulation 2		Screen 2		Sheath		0S-1S	3T	4A	4M
				Construction	Mat.	ø	Mat.	ø	Mat.	ø	Mat.	ø	Mat.	ø	Mat.	ø				
Triax Type A2			75±3Ω			1.00		4.40		5.1		6.5		7.3		9.0		●	●	●
Triax Type B2			75±3Ω			1.80		8.00		8.9		10.2		11.1		13.0		●	●	●
Triax Type C2			75±3Ω			2.50		11.00		11.9		13.7		14.8		17.4		●	●	●
BEDEA Superflex triax 8			75±3Ω	7x0.35	CuAg	1.05	PE	4.50	CuAg	5.1	TPE	6.5	Cu	7.2	TPE	8.5		●	●	●
BEDEA Superflex triax 11			75±3Ω	19x0.28	CuAg	1.40	PE	6.00	CuAg	6.6	TPE	8.5	Cu	9.2	TPE	11.2		●	●	●
BEDEA Superflex triax 14			75±3Ω	12x0.50	CuAg	2.10	PE	9.70	CuAg	10.4	TPE	11.5	Cu	12.6	TPE	14.4		●	●	●
Belden 8232A		RG.59/U	75±3Ω	solid	CuSt	0.80	PE	3.60	Cu		PVC		Cu			8.0		●	●	●
Belden 8233A		RG.11/U	75±3Ω	solid	Cu	1.60	PE	7.30	Cu		PVC		Cu		PVC	12.1		●	●	●
Belden 9192		RG.11/U	75±3Ω	19x0.36	Cu	1.60	PE	7.90	Cu		PE		Cu		PVC	13.2		●	●	●
Belden 9222		RG.58A/U	50±2Ω	7x0.32	CuSn	0.90	PE	2.90	CuSn		PE		CuSn		PVC	6.1	●			●
Belden 9232		RG.11/U	75±3Ω	19x0.36	Cu	1.60	PE	7.90	Cu		PE		Cu		CSM	13.2		●	●	●
Belden 9267		RG.59/U	75±3Ω	solid	Cu	0.84	PE	3.70	Cu		PE		Cu		CSM	9.2		●	●	●
Belden 9888		RG.8/U	50±2Ω	7x0.91	Cu	2.70	PE	7.30	Cu		PE		Cu		PE	12.2				●
Gepco LVT 61859		RG.59/U	75±3Ω	solid	CuSn	0.80	PE	3.70	Cu		PE	5.5	Cu			9.2				●
Gepco LVT 61811		RG.11/U	75±3Ω	19x0.36	Cu	1.62	PE	7.90	Cu		PE	10.0	Cu			13.1		●	●	●
Dätwyler HF-2318			50±2Ω	7x0.52	CuSn	1.60	PE	4.80	CuSn				CuSn		PVC	10.2				●
Dätwyler HF-2426		RG.59/U	75±3Ω	solid	CuSt	0.60	PE	3.70	Cu				Cu		PVC*	8.0				●
MOHAWK M52479		RG.11/U	75±3Ω	19x0.36	Cu	1.80	PE	7.90	Cu		PE		Cu		TPE	13.2		●	●	●
MOHAWK M80248		RG.59/U	75±3Ω	solid	Cu	0.80	PE	3.60	Cu		PE		Cu		TPE	8.0		●	●	●
MOHAWK M56301			75±2Ω	solid	CuAg	1.40	PoF	6.30	CuAg		PE	8.5	Cu		PUR	11.0		●	●	●
NEK 63990			75±3Ω	solid	CuAg	1.40	PE	6.30	CuAg		PE	8.5	Cu		PUR	11.0		●	●	●
NEK 23860			75±3Ω	solid		1.00	PE	4.50			PE					8.5		●	●	●
NOKIA Triax 8			75±3Ω	solid	CuAg	1.00	PE	4.50	CuAg	5.1	PE	6.6	Cu	7.2	PUR	8.4		●	●	●
NOKIA Triflex 8			75±3Ω	strand	CuAg	1.00	PE	4.50	CuAg	5.1	TPE	6.6	Cu	7.2	PVC	8.4		●	●	●
NOKIA Triax 11			75±3Ω	solid	CuAg	1.40	PE	6.50	CuAg	7.1	PE	8.6	Cu	9.2	PUR	11.0		●	●	●
NOKIA Triflex 11			75±3Ω	strand	CuAg	1.40	PE	6.50	CuAg	7.1	TPE	8.6	Cu	9.2	PVC	11.0		●	●	●
NOKIA Triax 11/2			75±3Ω	solid	CuAg	1.40	PE	6.50	CuAg	7.1	PE	8.6	Cu	9.2	PUR	12.2		●	●	●
NOKIA Triax 14			75±3Ω	strand	CuAg	2.20	PE	9.70	CuAg	10.5	PE	11.9	Cu	12.7	PUR	14.5		●	●	●
Filotex 11820			50±2Ω	19x0.18	CuSn	0.90	PE	3.00							PVC	7.2	●			●
FMC Triax 8			75±3Ω		Cu	1.00	PE	4.70			PE	6.5	Cu	7.2	PVC	8.5		●	●	●
FMC Triax 11			75±3Ω		Cu	1.40	PE	6.50		7.3	PE	8.7	Cu	9.5	PVC	11.0		●	●	●
FMC Triax 14			75±3Ω		Cu	2.20	PE	9.70		10.8	PE	11.8	Cu	12.7	PVC	14.4		●	●	●
Fujikura 4.8/1.0 EFTXF			75±3Ω	solid	Cu	1.00	PE	4.80	Cu		PE		Cu		PUR	8.6		●	●	●
Fujikura 9.6/2.22 EFTXF			75±3Ω	solid	Cu	2.20	PE	9.60	Cu		PE		Cu		PUR	14.5		●	●	●
Hirabawa Triax 4.8/1.0			75±3Ω	solid	Cu	8.00	PE	4.80	Cu		PE	6.6			TPE	8.5		●	●	●
Lemo CTA.99.290.803		RG.178B/U	50±2Ω	7x0.10	CuStAg	0.30	PTFE	0.90	CuAg	1.4	FEP	1.9	CuAg	2.3	FEP	2.9	●			●
Lemo CTD.99.391.505		RG.174A/U	50±2Ω	7x0.16	CuStAg	0.50	PE	1.50	CuSn	1.9	PVC	2.5	CuSn	2.9	PVC	3.9	●			●
Lemo CTC.99.371.603		RG.179B/U	75±3Ω	7x0.10	CuStAg	0.30	PTFE	1.50	CuAg	2.0	FEP	2.6	CuAg	3.1	FEP	3.7	●			●
Lemo D 121730			50±2Ω	7x0.25	CuSt	0.76	PE	2.54	CuAg	3.1	PVC	3.7	CuAg	4.3	PVC	5.0	●			●
Lemo D 221200		RG.58C/U	50±2Ω	19x0.18	CuSn	0.90	PE	2.95	CuSn	3.6	PVC	5.0	CuSn	5.6	PVC	7.3	●			●

Abbreviations:

AgCu Double screen
 CR Polychloroprene (Neoprene)
 CSM Hypalon
 Cu Bare copper

CuAg Silver-plated copper
 CuSn Tinned copper
 CuSt Copper-plated steel
 CuStAg Silvered copper-plated steel
 FEP Extruded Polytetrafluorethylene

PE Polyethylene
 PoF Polyolefine
 PTFE Wrapped or extruded Polytetrafluorethylene
 PTFE Wrapped or extruded

+GSI Polytetrafluorethylene filled with fiberglass and impregnated with silicone varnish
 PVC Polyvinylchloride
 PVC* Polyvinylchloride (Qual. IIa MIL-C-17)
 TPE Thermoplastic elastomer

● Conversion Tables — millimeters/inches

(mm)	(in)	(mm)	(in)	(mm)	(in)	(mm)	(in)	(mm)	(in)	(mm)	(in)
0.02	0.0007	1.37	0.0539	3.90	0.1535	8.90	0.3504	16.00	0.6299	29.50	1.1614
0.03	0.0011	1.40	0.0551	4.00	0.1575	9.00	0.3543	16.10	0.6338	30.00	1.1811
0.10	0.0039	1.50	0.0590	4.36	0.1716	9.40	0.3701	17.00	0.6693	30.80	1.2125
0.16	0.0062	1.52	0.0598	4.50	0.1771	9.50	0.3740	17.50	0.6889	31.00	1.2204
0.18	0.0071	1.60	0.0629	5.00	0.1968	9.60	0.3779	17.80	0.7007	31.80	1.2519
0.20	0.0078	1.70	0.0669	5.08	0.1999	9.70	0.3818	18.00	0.7086	32.00	1.2598
0.30	0.0118	1.71	0.0673	5.20	0.2047	10.00	0.3937	18.20	0.7165	33.00	1.2992
0.40	0.0157	1.80	0.0708	5.37	0.2114	10.30	0.4055	18.50	0.7283	33.50	1.3188
0.48	0.0188	2.00	0.0787	5.50	0.2165	10.40	0.4094	19.00	0.7480	34.00	1.3385
0.50	0.0196	2.10	0.0826	5.80	0.2283	10.50	0.4134	19.50	0.7677	34.50	1.3582
0.51	0.0201	2.20	0.0866	6.00	0.2362	10.70	0.4212	20.00	0.7874	35.70	1.4055
0.54	0.0212	2.42	0.0953	6.20	0.2441	10.80	0.4252	20.50	0.8071	36.00	1.4173
0.60	0.0236	2.50	0.0984	6.30	0.2480	11.00	0.4331	20.60	0.8110	40.00	1.5748
0.70	0.0275	2.60	0.1023	6.40	0.2519	11.50	0.4527	21.00	0.8267	41.00	1.6141
0.80	0.0315	2.70	0.1063	6.50	0.2559	11.70	0.4606	21.50	0.8464	42.00	1.6535
0.86	0.0338	2.80	0.1102	6.80	0.2677	12.00	0.4724	21.80	0.8582	43.00	1.6929
0.87	0.0342	2.95	0.1161	7.00	0.2755	12.60	0.4961	22.00	0.8661	45.00	1.7716
0.90	0.0354	3.00	0.1181	7.10	0.2795	12.90	0.5078	23.00	0.9055	45.50	1.7913
0.91	0.0358	3.05	0.1201	7.40	0.2913	13.00	0.5118	23.80	0.9370	46.50	1.8307
0.95	0.0374	3.10	0.1220	7.50	0.2952	13.70	0.5393	24.00	0.9448	50.00	1.9685
1.00	0.0393	3.20	0.1259	8.00	0.3149	14.00	0.5512	25.00	0.9842	60.00	2.3622
1.21	0.0476	3.30	0.1299	8.30	0.3267	14.30	0.5629	25.50	1.0039	65.00	2.5590
1.29	0.0507	3.50	0.1378	8.60	0.3385	14.50	0.5708	26.00	1.0236	70.00	2.7559
1.30	0.0512	3.78	0.1488	8.70	0.3425	15.00	0.5905	28.00	1.1023	78.00	3.0708
1.32	0.0519	3.80	0.1496	8.80	0.3464	15.50	0.6102	28.50	1.1220	150.00	5.9055

● LEMO USA Terms and Conditions

1. **Acceptance:** If Buyer's order contains written, printed or stamped provisions or conditions inconsistent with the written, printed or stamped provisions of this Agreement attached hereto, the provisions and conditions of this Agreement shall prevail. Buyer shall contact LEMO USA within 10 days of receipt of LEMO USA Terms and Conditions if any objection is raised. Failure of Buyer to timely object shall be deemed an acceptance by Buyer of LEMO USA's Terms and Conditions. If a timely objection is raised by the Buyer to the LEMO USA Terms and Conditions, the order(s) will not be entered until agreement in writing is reached. All orders are subject to acceptance by Seller. Seller's acceptance is expressly conditional upon Buyer's acceptance of LEMO USA Terms and Conditions.
2. **Pricing:** Prices are based on continuous manufacture rates of delivery specified. Buyer will be charged any direct additional cost to which Seller is put by reason of any interruption of production due to Buyer's request, act or default.
3. **Applicable Law:** Purchase Order is subject to the applicable provisions of the Uniform Commercial Code, under the laws of the State of California.
4. **Buyer's Liability:** Buyer is liable for all costs associated with completed units, shipped or unshipped, labor and materials on work in process, and raw materials on hand and/or specific to Buyer's Order and all reasonable direct damages, for lead time specified in advance of requested date of cancellation.
5. **License:** The submission of a quotation or order acknowledgment does not grant or imply a license under any patents now owned or controlled by Seller, or which may become owned or controlled by Seller.
6. **Buyer's Default:** In the event Buyer cancels the contract embodied by Buyer's Order and this acceptance thereof, in whole or in part, or such contract is canceled by Seller because of default by the Buyer, the Buyer shall pay Seller by reason of such cancellation or default for reasonable direct damages sustained, including costs associated with completed units, shipped or unshipped, labor and materials on work in process, and raw materials on hand and/or specific to Buyer's Order and all reasonable direct damages, for lead time specified in advance of requested date of cancellation, at the current price applicable to the total quantity ordered at the time of default. Notwithstanding the foregoing, if item or items ordered are NON-CANCELLABLE/NON-RETURNABLE, the Buyer shall purchase 100% of quantity ordered.

In the event Seller does not meet the confirmed delivery date agreed to with the Buyer as evidenced in writing, Seller shall be allowed one opportunity to reschedule the delivery and Buyer shall not be entitled to cancel the Order for such reason. In the event Seller does not meet said rescheduled delivery, Buyer may cancel the Order and not be in default under the Agreement, including the terms of this Section 6.
7. **Indemnity:** Buyer hereby specifically agrees to save Seller harmless and indemnify Seller against all claims for damage or profits and for all costs and attorney fees incurred by Seller resulting from any suit or suits arising from alleged infringements of patents, design copyrights, or trademarks with respect to all goods manufactured, either in whole or in part, to Buyer's specifications.

Seller, at its expense, will defend Buyer and its customer against any reasonable and good faith claim based on an allegation that an unaltered LEMO USA product infringes a patent or copyright of another; provided however, that no such obligation shall apply to (i) any LEMO USA product manufactured to Buyer's specifications and/or designs or (ii) any product that has been modified, altered, misused or damaged by Buyer or a third party. Seller shall pay any reasonable resulting costs, damages and attorney's fees finally awarded against Buyer or its customer that are attributable to such claim or will pay the part of any settlement that is attributable to such claim, provided that: (a) Buyer notifies Seller promptly in writing of the claim; (b) Seller is permitted to control the defense or settlement of the claim; and (c) Buyer and its customer cooperate reasonably in such defense or settlement.
8. **Returns:** All NON-CANCELLABLE/NON-RETURNABLE products shall not be returned. Subject to Section D, Subsection 3 of the Distribution Agreement, If Buyer intends to return standard product, a return authorization number is required prior to return shipment and the product may be subjected to a restocking fee. Seller reserves the right not to issue a return authorization. Product must be returned (with shipping costs prepaid) in original packaging and in original condition as when purchased, undamaged, not reconfigured, not obsolete, fit for use, and shall not have been previously shipped from Seller to Buyer or its customer more than one year prior to the date of return. Seller reserves the right to not accept damaged product for credit, replacement, or substitution. If damaged product is accepted by Seller for credit, and damage is caused by the negligence of the Buyer, the Buyer will pay all costs for refurbishment of damaged product. Discovery of product defect and return of product shall be made in the period of time following delivery as provided in the applicable sections of the Uniform Commercial Code. In the event of a return, Seller shall have the right, in its sole discretion, to replace, substitute, or issue a credit to Buyer.
9. **Payment:** All invoices are delinquent at 30 days past invoice date and will be subject to 1% per month finance charge. Overdue accounts may be placed on credit hold and shipments held. Buyer agrees to pay all reasonable collection charges, including attorney fees, in the event his account is delinquent more than 30 days.
10. **Payment Taxes:** In the event any sales tax, manufacturer's tax, or other tax is applicable to any shipment made by the Buyer on Buyer's order, such tax shall be added to the selling price and shall be paid by the Buyer.

11. **Title/Risk of Loss:** All prices are F.O.B. Rohnert Park, California, 1% 10 days/Net 30 days and all Seller obligations hereunder are completed when Seller delivers the items, properly consigned, to a common carrier, Seller's delivery to such carrier shall constitute delivery thereof to the Buyer.
12. **Warranties:** Seller warrants to Buyer that the Goods will conform to the applicable drawings or design standards. The express warranty set forth in this agreement is exclusive and is in lieu of all other express or implied warranties, but not limited to, warranties of merchantability and fitness for a particular purpose.

EXCEPT AS EXPRESSLY SET FORTH IN THIS AGREEMENT, THE SELLER DISCLAIMS ALL EXPRESS AND IMPLIED WARRANTIES, INCLUDING WITHOUT LIMITATION, ANY IMPLIED WARRANTIES, WARRANTIES OF MERCHANTABILITY AND WARRANTIES OF FITNESS FOR A PARTICULAR PURPOSE OR USE.

13. **Disputes and Resolution; Attorney's Fees:** The parties agree that any disputes or questions arising hereunder including the construction or application of the Agreement, including these Terms and Conditions shall be settled in the State of California, according to the laws of the State of California. The parties hereto hereby consent to jurisdiction and venue in the Superior Court of Sonoma County, California, and in the Federal District Court for the Northern District of California, with respect to all disputes or disagreements under the Agreement, including these Terms and Conditions and agree that any action with respect to any of the foregoing shall be brought and maintained only in such courts sitting in the Northern District of California or Sonoma County, as appropriate. In any court action at law or in equity, which is brought by one of the parties to enforce or interpret the provisions of the Agreement, including these Terms and Conditions, the prevailing party will be entitled to costs and reasonable attorney's fees, in addition to any other relief to which that party may be entitled.
14. **Confidentiality:** Both parties acknowledge that during the course of business, each may obtain confidential information regarding the other party's business. Both parties agree to treat all such information as confidential and to take all reasonable precautions against disclosure of such information to unauthorized third parties during and for five (5) years after the term of all orders. Upon request by an owner, all documents relating to the confidential information will be returned to such owner.
15. **Assignment:** It is agreed by the parties that there will be no assignment or transfer of any order or any interest in any orders. Action by a party in violation of this provision will dismiss the other party from any further obligations arising from any orders.
16. **Entire Terms & Conditions:** These Terms & Conditions, together with the Agreement contain the entire agreement of the parties and there are no other promises or conditions in any other agreements whether oral or written. This document, together with the Agreement, supersedes any prior written or oral agreements between the parties.
17. **Amendment:** These Terms & Conditions may be modified or amended if the amendment is made in writing and is signed by both parties; provided however, that the terms of the Agreement shall control in any case where there is a conflict between these Terms & Conditions and the Agreement.
18. **Severability:** If any provision of these Terms & Conditions shall be held to be invalid or unenforceable for any reason, the remaining provisions shall continue to be valid and enforceable. If a court finds that any provision is invalid or unenforceable, but that by limiting such provision it would become valid and enforceable, then such provision shall be deemed to be written, construed and enforced as so limited.
19. **Waiver of Contractual Right:** The failure of either party to enforce any provision of these Terms & Conditions shall not be construed as a waiver or limitation of that party's right to subsequently enforce and compel strict compliance with every provision of this Contract.
20. **Limitation on Damages:** Buyer's consequential or incidental damages for any Seller breach of the contract, except for Seller's gross negligence or willful misconduct, will be limited to the purchase price. Subject to Section 7 hereof, Seller will have no liability to Buyer for any damages, losses, liabilities, injuries, claims, demands or expenses arising out of or directly or indirectly connected with the use of the product. Seller shall not be liable for any exemplary, indirect, incidental, or consequential damages sustained or incurred in connection with the use of the product regardless of the form of action, whether in contract, tort (including negligence) or strict liability.

SELLER SHALL NOT BE LIABLE FOR ANY DAMAGES DUE TO CAUSES BEYOND THE REASONABLE CONTROL OF SELLER OR ATTRIBUTABLE TO ANY SERVICE, PRODUCTS, OR ACTIONS OF ANY PERSON OTHER THAN SELLER REGARDLESS OF THE FORM OF ACTION AND WHETHER OR NOT SUCH DAMAGES ARE FORESEEABLE.

NEITHER PARTY SHALL BE LIABLE IN ANY WAY TO THE OTHER PARTY FOR DELAYS, FAILURE IN PERFORMANCE, OR LOSS OR DAMAGE DUE TO FORCE MAJEURE CONDITIONS SUCH AS: FIRE; LIGHTENING; STRIKE; EMBARGO; EXPLOSION; POWER SURGE OR FAILURE; ACTS OF GOD; WAR; TERRORIST ATTACKS, LABOR DISPUTES; CIVIL DISTURBANCES; ACTS OF CIVIL OR MILITARY AUTHORITY; INABILITY TO SECURE MATERIALS, FUEL, PRODUCTS OR TRANSPORTATION FACILITIES; ACTS OR OMISSIONS OF SUPPLIERS, OR ANY OTHER CAUSES BEYOND ITS REASONABLE CONTROL, WHETHER OR NOT SIMILAR TO THE FOREGOING.

● Design Engineering Services

DATE: _____

LEMO creates custom designs to fit your unique application, ranging from connector to multi-component assemblies.

- **Custom Connectors** — Precision designs tested to your specifications
- **Cable Assembly** — Electronic and hybrid fiber optic cable assemblies to meet a wide variety of demanding applications
- **Cable Assembly Integration** — Consultation on routing of cable and connections within your product
- **Rapid Prototyping** — Onsite engineering and rapid prototyping capabilities to assist in the high demands of product development
- **Pro/ENGINEER®** 3D solid CAD models available

Manufacturing Services

Outsource your manufacturing challenges. LEMO's capable engineering staff can create solutions for your cable assembly or component sub-assembly designs.

- **Cable Assembly** — Expertise in both electronic and fiber optic connector termination
- **Overmolding Design and Manufacture** — Custom overmold designs to enhance aesthetics while providing durability and strength
- **Sub-Assembly Build** — Combine our connectors and cable assemblies with your sub-assemblies to provide a tested and proven module

I am interested in:

- Design Engineering Services**
 Manufacturing Services

Please send me information on:

Name			Rep. Name
Title	Telephone	Fax	Email
Company Name			
Street			
City	State	Zip	

● Connector Specification Request Form

DATE: _____

Name		Rep. Name	
Title	Telephone	Fax	Email
Company Name			
Street			
City	State	Zip	

Customer Profile

APPLICATION DESCRIPTION: _____ BUDGET: _____

 IS THE PROJECT FUNDED? YES NO EXPLANATION: _____

 SECOND SOURCE: DOES THE CUSTOMER REQUIRE A SECOND SOURCE? YES NO

WHY IS LEMO BEING CONSIDERED? DOES LEMO HAVE A COMPETITIVE ADVANTAGE ACKNOWLEDGED BY THE CUSTOMER?

Connector Description

SHELL CONFIGURATION: _____ NUMBER OF CONTACTS: _____

 SERIES/SIZE: _____ IS BEND RELIEF REQUIRED: YES NO

 TYPE OF TERMINATION PREFERRED: SOLDER CRIMP PRINTED CIRCUIT OTHER

JACKET O.D. OF THE CABLE AND TYPE OF MATERIAL: _____

 CONDUCTOR DIAMETER OF THE CABLE (AWG) _____ IF COAX, CABLE TYPE _____

Electrical Characteristics

WORKING VOLTAGE: _____ PEAK: _____ CURRENT (AMPS) _____

IMPEDANCE (OHMS): _____ MAXIMUM VSWR AT MAX. FREQUENCY: _____

WORKING FREQUENCY: NORMAL _____ MAXIMUM _____

NUMBER OF INSERTION CYCLES (1 CYCLE = 1 INSERTION = 1 WITHDRAWAL): _____

Environment

OPERATING TEMPERATURES: _____

 ENVIRONMENT: CLEAN WASH DOWN OR SPLASH SALT WATER SPRAY UNDERWATER

 DIRT FLUIDS _____ DUST GASES _____

 CHEMICALS IP RATING _____ EXPLOSIVES RADIATION

 STERILIZATION: YES NO METHOD _____ CYCLES _____ TEMP _____

Purchase Projections

PROTOTYPE ORDER QUANTITY (3 OR LESS): _____ EXPECTED DELIVERY DATE: _____

PRODUCTION ORDER QUANTITY: _____ EXPECTED DELIVERY DATE: _____

PREPRODUCTION ORDER QUANTITY: _____ EXPECTED DELIVERY DATE: _____

EXPECTED QUANTITY INVOLVED EACH YEAR: _____ TARGET PRICING: \$ _____

 APPLICABLE STANDARDS: UL IEC OTHER _____

PLEASE ATTACH DRAWING IF POSSIBLE OR NECESSARY



Located 50 miles north of San Francisco, LEMO USA offers a nationwide network of product specialists, sales consultants and distributors, who work closely with customers in offering sales and technical support.



635 Park Court, Rohnert Park, CA 94928
P.O. Box 2408, Rohnert Park, CA 94927-2408
(800) 444-5366 • (707) 578-8811 • fax: (707) 578-0869
www.lemousa.com • e-mail: info@lemousa.com