

TDK Corporation

Piezo & Protection Devices B. Grp.

3-9-1, Shibaura, Minato-ku, Tokyo,

108-0023, Japan

TEL. 03-6852-7300



NTCG

**NTC Chip Thermistor
Temperature Sensing Device**

PRODUCT: NTCG163JF103FTDS

This product is compliant with the
AEC-Q200 standard.

PAGE NO.: 1 OF 1

Dimensions and construction

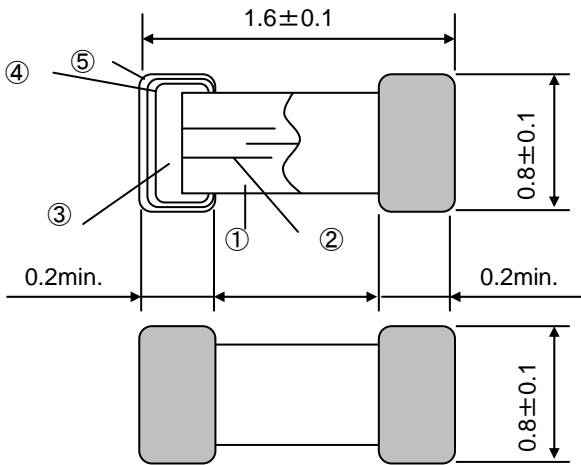


TABLE1. Parts List

	Part Name	Material
①	Element	Manganese, Nickel-oxide base Ceramics materials
②	Inner electrodes	Palladium
③	Terminal	Silver base
④	electrodes	Nickel-plating
⑤		Tin-plating

Operating temperature range

-40 ~ +125°C

TABLE 2. Electric Performance:

Item	Symbol	Specification
Nominal resistance and tolerance	R25	10kΩ ± 1%
B value and tolerance	B25/85	3435K ± 1%
Maximum rated power (condition: chip)	P25	100 mW / 25°C in still air

TABLE 3. Resistance - Temperature Characteristics (condition: chip in silicone oil)

Temp (°C)	Min (kΩ)	Nom (kΩ)	Max (kΩ)	Temp (°C)	Min (kΩ)	Nom (kΩ)	Max (kΩ)	Temp (°C)	Min (kΩ)	Nom (kΩ)	Max (kΩ)
-40.0	181.2	188.5	196.1	20.0	11.95	12.09	12.24	80.0	1.622	1.668	1.715
-35.0	139.1	144.3	149.7	25.0	9.900	10.00	10.10	85.0	1.409	1.451	1.494
-30.0	107.6	111.3	115.2	30.0	8.213	8.312	8.410	90.0	1.229	1.267	1.306
-25.0	83.86	86.56	89.33	35.0	6.848	6.942	7.037	95.0	1.075	1.110	1.146
-20.0	65.84	67.79	69.79	40.0	5.736	5.826	5.916	100.0	0.943	0.975	1.008
-15.0	52.05	53.46	54.91	45.0	4.827	4.911	4.996	105.0	0.830	0.860	0.890
-10.0	41.42	42.45	43.50	50.0	4.081	4.158	4.237	110.0	0.733	0.760	0.788
-5.0	33.18	33.93	34.69	55.0	3.464	3.536	3.609	115.0	0.649	0.674	0.699
0.0	26.74	27.28	27.83	60.0	2.953	3.019	3.086	120.0	0.577	0.599	0.622
5.0	21.68	22.07	22.47	65.0	2.528	2.588	2.650	125.0	0.514	0.534	0.556
10.0	17.68	17.96	18.25	70.0	2.172	2.227	2.284				
15.0	14.49	14.70	14.90	75.0	1.874	1.924	1.976				