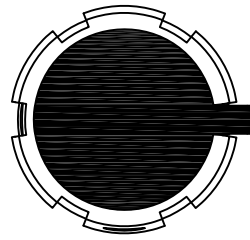
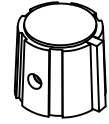
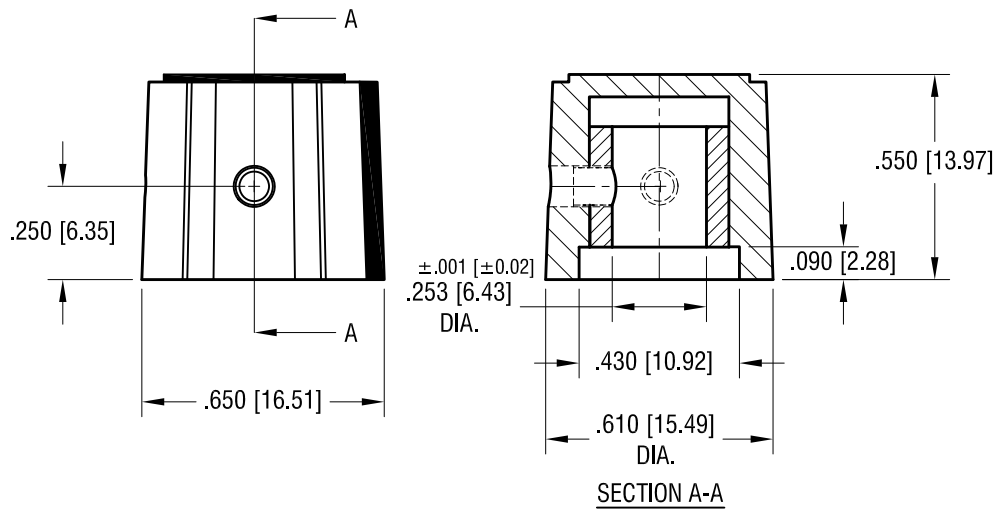


THIS DOCUMENT IS THE PROPERTY OF
KEYSTONE ELECTRONICS CORP. AND
SHALL NOT BE REPRODUCED, DISTRIBUTED
OR USED AS A BASIS FOR MANUFACTURE
WITHOUT PRIOR WRITTEN PERMISSION
FROM KEYSTONE ELECTRONICS CORP.

ACTUAL SIZE



COLOR RING AND POINTER
(SEE COLOR CODE)



NOTES:

1. KNOB: MAT'L:
OUTER SURFACE (FOR GRIPPING) -
THERMOPLASTIC ELASTOMER (TPE)
COLOR- BLACK
INNER CORE- POLYPROPYLENE (PP)
SEE COLOR CODE.
2. INSERT: MAT'L: BRASS, NICKEL PLATE
3. SCREW (2) PLS: MAT'L- STEEL
FINISH: BLACK OXIDE

| PART NO. | INNER COLOR |
|----------|-------------|
| 8570 | YELLOW |
| 8571 | RED |
| 8572 | GRAY |
| 8573 | BLACK |

| | | | |
|---|---------------------------|------------------|-------------------|
| KEYSTONE ELECTRONICS CORP. | | | |
| www.keyelco.com • ASTORIA, N.Y. 11105-2017 • Tel (718) 956-8900 | | | |
| PART NAME | | SOFT- TOUCH KNOB | |
| MATERIAL | | AS NOTED | |
| FINISH | | DRN BY | DATE |
| AS NOTED | | NT | 6.25.15 |
| | | APP'D | SCALE |
| | | LN | 2.5X |
| TOLERANCES | INCH [MM] | CODE | DWG NO. |
| DECIMAL | $\pm .010$ [± 0.25] | C | 8570- 8573 |
| ANGULAR | $\pm 1^\circ$ | | |
| UNLESS OTHERWISE SPECIFIED | | | |

| | | |
|------|-------------|------|
| DATE | DESCRIPTION | REV. |
| | | |