

EMG 17-REL/SG-B 24/21/M

Order No.: 2952910

The illustration shows version EMG 17-REL, with soldered-in remanence miniature switching relay




<http://eshop.phoenixcontact.de/phoenix/treeViewClick.do?UID=2952910>

Relay module with permanently soldered remanence miniature switching relay, with minus-switching diode wiring, contacts (AgAu): small to large loads, 1 PDT, input voltage 24 V DC



Commercial data

GTIN (EAN)	 4 017918 084509
sales group	G031
Pack	10 pcs.
Customs tariff	85364190
Catalog page information	Page 145 (IF-2009)

Product notes

WEEE/RoHS-compliant since:
08/10/2006



<http://www.download.phoenixcontact.com>
Please note that the data given here has been taken from the online catalog. For comprehensive information and data, please refer to the user documentation. The General Terms and Conditions of Use apply to Internet downloads.

Technical data

Coil side

Nominal input voltage U_N	24 V DC
Input voltage range in reference to U_N	0.8 ... 1.1
Nominal input current at U_{IN}	26 mA
Typical response time	10 ms

Typical release time	10 ms
Pulse time	30 ms ... 5 s
Type of protection	Free-wheeling diode
Protective circuit/component	Damping diode

Contact side

Contact type	Single contact, 1-PDT
Contact material	(AgAu)
Maximum switching voltage	24 V AC/DC
Maximum inrush current	0.2 A
Limiting continuous current	0.5 A
Interrupting rating (ohmic load) max.	5 W (at 24 V DC) 5 VA (for 24 V AC)
Maximum switching voltage	250 V AC/DC
Limiting continuous current	5 A
Maximum inrush current	6 A
Interrupting rating (ohmic load) max.	120 W (at 24 V DC) 40 W (for 48 V DC) 35 W (for 60 V DC) 30 W (for 110 V DC) 55 W (for 220 V DC) 1250 VA (for 250 V AC)

General data

Width	17.5 mm
Height	75 mm
Depth	62.5 mm
Test voltage relay winding/relay contact	4 kV AC (50 Hz, 1 min.)
Ambient temperature (operation)	-20 °C ... 50 °C
Ambient temperature (storage/transport)	-20 °C ... 70 °C
Operating mode	100% operating factor (observe max. input pulse length)
Mechanical service life	Approx. 3×10^7 cycles
Standards/regulations	IEC 60664 EN 50178 IEC 62103
Pollution degree	2

Surge voltage category	III
Mounting position	Any
Assembly instructions	In rows with zero spacing

Connection data

Type of connection	Screw connection
Conductor cross section solid min.	0.2 mm ²
Conductor cross section solid max.	4 mm ²
Conductor cross section stranded min.	0.2 mm ²
Conductor cross section stranded max.	2.5 mm ²
Conductor cross section AWG/kcmil min.	24
Conductor cross section AWG/kcmil max	12
Stripping length	8 mm
Screw thread	M3

Certificates / Approvals



Certification GOST

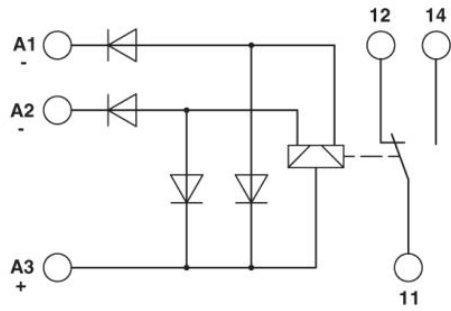
Accessories

Item	Designation	Description
2947035	EMG-GKS 12	Equipment marker, width 12 mm

Marking

Diagrams/Drawings

Circuit diagram



Address

PHOENIX CONTACT Deutschland GmbH
Flachmarktstr. 8
32825 Blomberg, Germany
Phone +49 5235 3 12000
Fax +49 5235 3 41200
<http://www.phoenixcontact.de>



© 2011 Phoenix Contact
Technical modifications reserved;