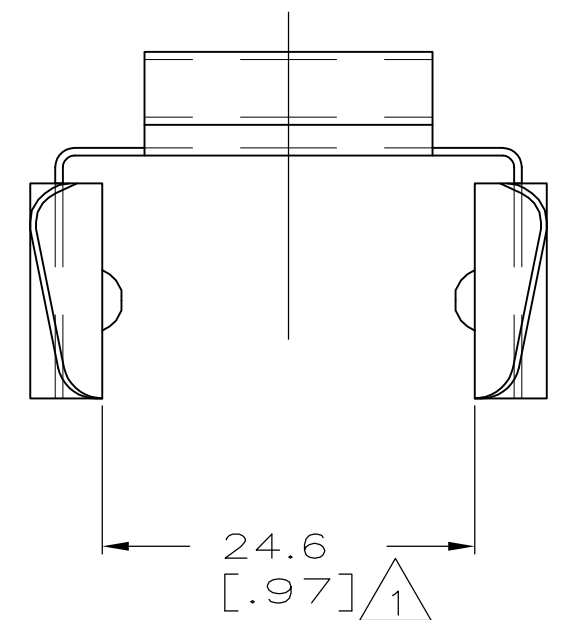
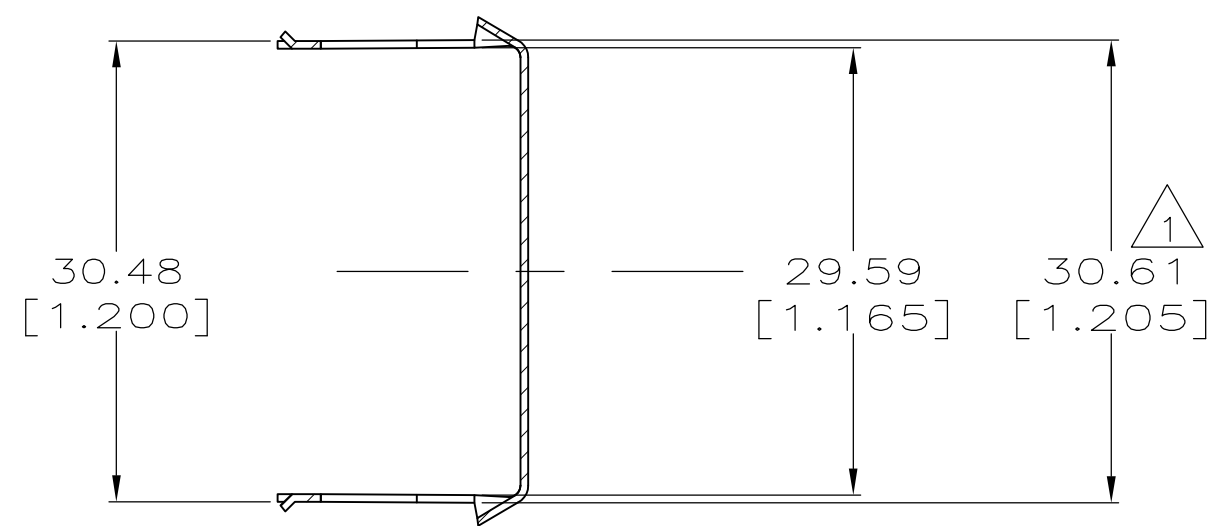
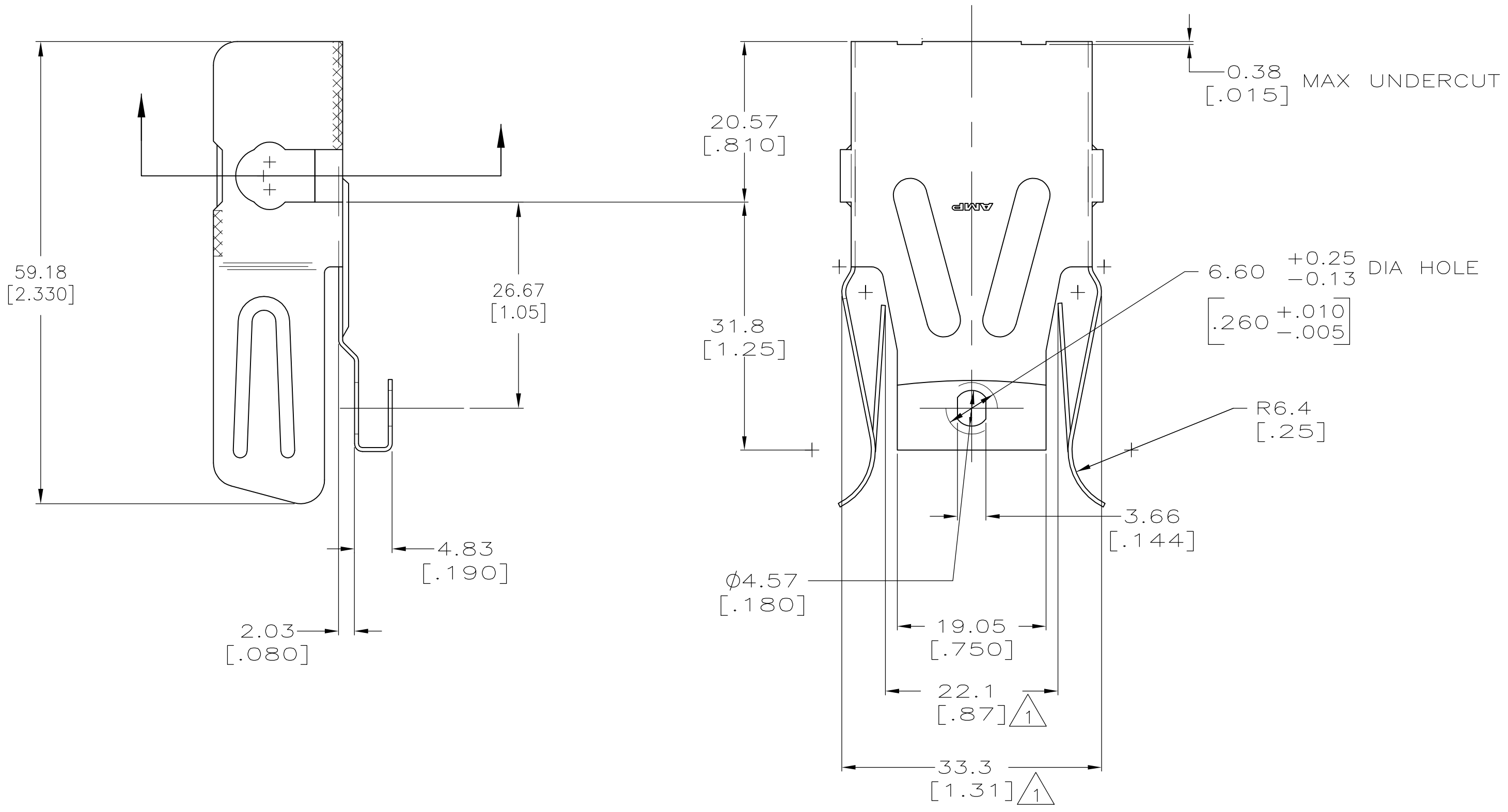


THIS DRAWING IS UNPUBLISHED. RELEASED FOR PUBLICATION
 © COPYRIGHT BY TYCO ELECTRONICS CORPORATION. ALL RIGHTS RESERVED.

LOC	DIST	REVISIONS				
P	LTR	DESCRIPTION	DATE	DWN	APVD	
AF	50	F1	REVISED PER ECR-08-006534	04APR08	HMR	GJ

1 DIMENSION TO BE CHECKED WHEN SIDES ARE PARRALLEL WITH [1.215] DIM.



1217841-1
PART NO.

THIS DRAWING IS A CONTROLLED DOCUMENT.		DWN MICHAEL S. FEHER 06JUN2002	Tyco Electronics Corporation Harrisburg, PA 17105-3608		
DIMENSIONS: mm		CHK DONALD DECKER 06JUN2002	NAME CLIP, CONNECTOR, HEAVY DUTY BURNER		
TOLERANCES UNLESS OTHERWISE SPECIFIED:		APVD DONALD DECKER 06JUN2002	PRODUCT SPEC	SIZE A2	CAGE CODE 00779
0 PLC ± -		APPLICATION SPEC	114-1028	DRAWING NO C=1217841	RESTRICTED TO -
1 PLC ± -		WEIGHT	-	SCALE 2:1	SHEET 1 of 1
2 PLC ± 0.8 [.03]		MATERIAL 1/4 HARD STAINLESS	FINISH -	REV F1	
3 PLC ± 0.25 [.010]		CUSTOMER DRAWING			
4 PLC ± -					
ANGLES ± -					