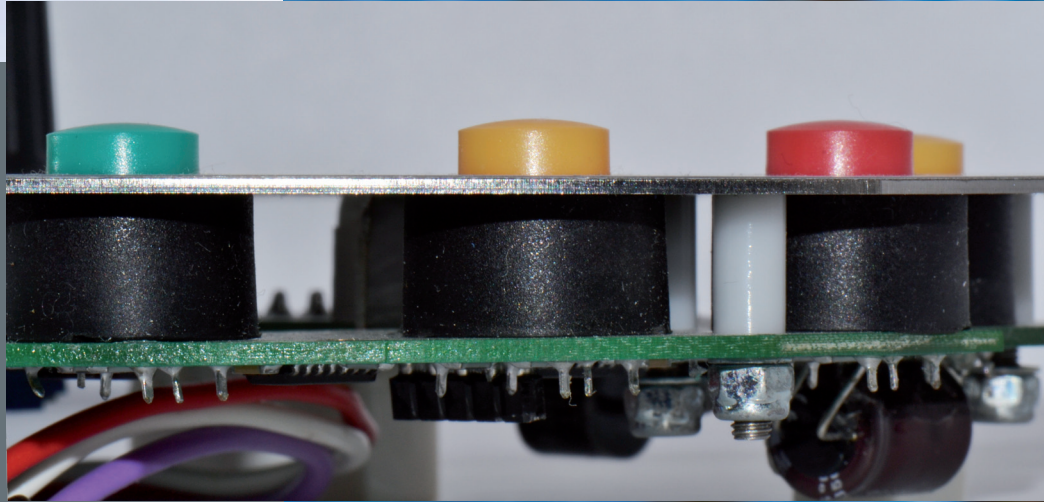


# Panel sealed 1TS/1US/1VS



The sealings 1TW/1UW/1VW provide an opportunity of having the 1TS/1US/1VS caps with panel sealing.

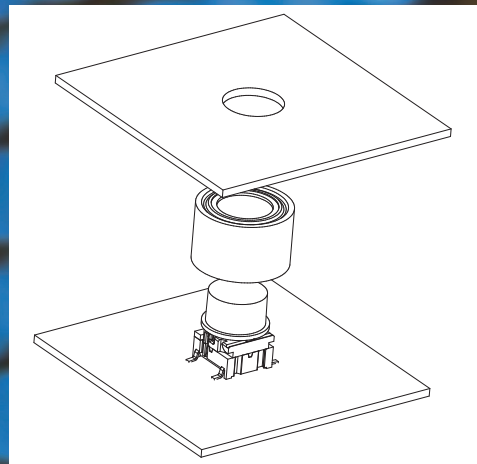
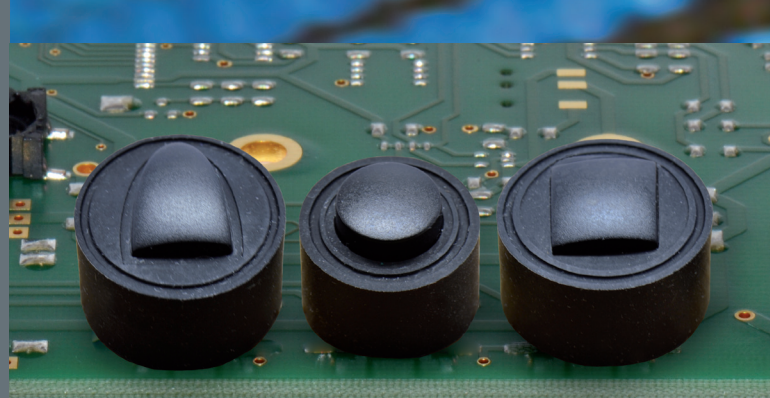
Level of sealing from front panel:

5G+1TS+1TW = IP67

5G+1US+1UW = IP67

5G+1VS+1VW = IP65

The solution is excellent for rough environment, designed for outdoor, dusty and humid applications.



Distributor:

### Technical Data:

- through-hole or surface mount
- 50mA/24VDC
- single pole/momentary
- 10.000.000 operations lifetime
- Switch: IP67 sealing
- temp. range: switch: -40/+160°C  
LED: -30/+85°C  
solid keycap: -40/+65°C  
transparent keycap: -40/+85°C
- actuation force: 2.0, 3.5, 6.5 N



Dimensions (TH) 1TS+1TW	Dimensions (TH w/LED) 1US+1UW	Dimensions (SMD w/LED) 1VS+1VW	Recommended panel cut-out
<p><b>PCB layout</b></p>	<p><b>PCB layout</b></p>	<p><b>PCB layout</b></p>	<p><b>1TS</b> - 11x11mm <b>1US</b> - Ø11mm <b>1VS</b></p> <p>Distance between PCB and front panel</p>

### HOW TO ORDER illuminated

<b>5 G</b>				+			+	
<b>Switch</b>	<b>Mounting</b> TH9 through-hole SH9 surface mount	<b>Actuation force</b> 20 35 65 Q*	<b>LED</b> 01 blue 22 green 42 yellow 61 white 82 red 2242 green/yellow 8222 red/green 8242 red/yellow		<b>Cap</b> 1TS 1US 1VS	<b>Colour code</b> 16 frosted white		<b>Sealing</b> 1TW 1UW 1VW

### HOW TO ORDER non-illuminated

<b>5 G</b>			+			+	
<b>Switch</b>	<b>Mounting</b> TH9 through-hole SH9 surface mount	<b>Actuation force</b> 20 35 65 Q*		<b>Cap</b> 1TS 1US 1VS	<b>Colour code</b> 00 blue 03 grey 08 red 09 black		<b>Sealing</b> 1TW 1UW 1VW

\*Only available for actuation force 2.0N (20) and the letter Q is added to the end of the switch part number. See the ordering example.

Dimensions (mm) Unless otherwise specified, all tolerances +/- 0,2

**Ordering example:** 5GSH935 + 1TS03 + 1TW without illumination  
5GTH96542 + 1US16 + 1UW with illumination  
\*5GSH920Q or 5GTH92082Q (quiet version)

See colour codes on our website: [www.mec.dk](http://www.mec.dk)

For updates of products and/or changes of specifications please see [www.mec.dk](http://www.mec.dk)