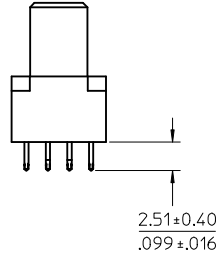
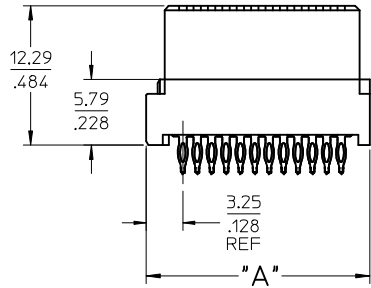
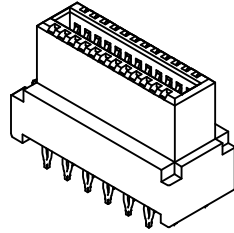
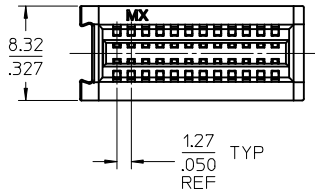
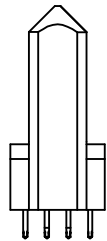
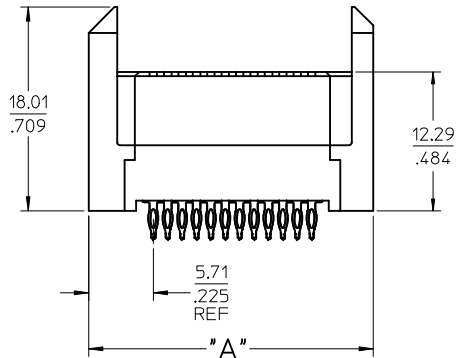
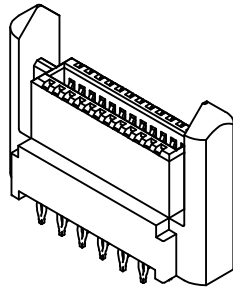
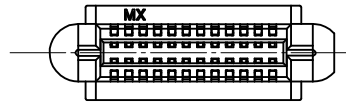


P/N 46113-0243 SHOWN



P/N 46113-0243 SHOWN



NOTES:

1. MATERIAL: HOUSING: LCP, 94-VO, COLOR: BLACK
POWER CONTACTS: COPPER ALLOY
SIGNAL CONTACTS: MODIFIED TIN BRASS
2. FINISH: SELECT GOLD - 0.75 μM/30 μ INCHES
SELECT TIN - 1.91 μM/75 μ INCHES OR
SELECT TIN-LEAD - 1.91 μM/75 μ INCHES
BOTH OVER NICKEL - 1.25 μM/50 μ INCHES
3. PARTS ARE RoHS COMPLIANT
4. MATES TO MOLEX P/N 45985-SERIES OR
EDGE CARD 1.571.062
5. PRODUCT SPECIFICATION PS-46114-001
6. PACKAGING: PER PK-46114-003

SIGNAL HOUSING ASSY - STANDARD

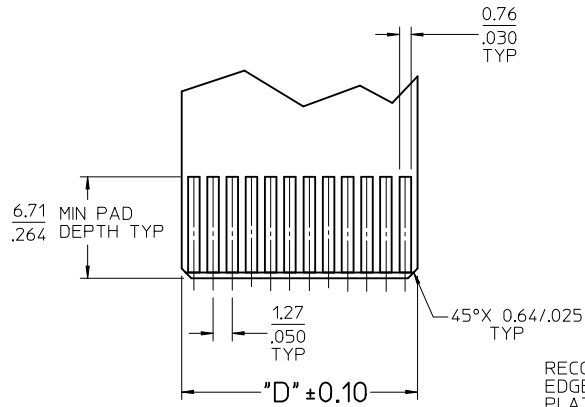
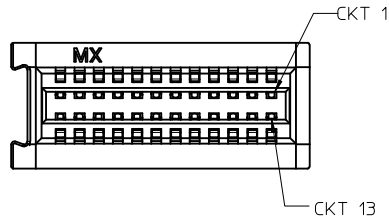
NO OF CKTS	MATERIAL NUMBER	COMPLIANT PIN PLATING	DIM "A"
12	46113-0121	TIN	12.13/1.478
	46113-0125	TIN-LEAD	
16	46113-0161	TIN	14.67/1.578
	46113-0165	TIN-LEAD	
20	46113-0201	TIN	17.21/1.678
	46113-0205	TIN-LEAD	
24	46113-0241	TIN	19.75/1.778
	46113-0245	TIN-LEAD	
28	46113-0281	TIN	22.29/1.878
	46113-0285	TIN-LEAD	
32	46113-0321	TIN	24.83/1.978
	46113-0325	TIN-LEAD	
36	46113-0361	TIN	27.37/1.078
	46113-0365	TIN-LEAD	
40	46113-0401	TIN	29.91/1.178
	46113-0405	TIN-LEAD	

SIGNAL HOUSING ASSY W/2 GUIDES

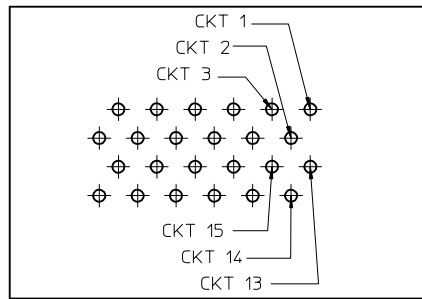
NO OF CKTS	MATERIAL NUMBER	COMPLIANT PIN PLATING	DIM "A"
12	46113-0123	TIN	17.49/1.689
	46113-0126	TIN-LEAD	
16	46113-0163	TIN	20.03/1.789
	46113-0166	TIN-LEAD	
20	46113-0203	TIN	22.57/1.889
	46113-0206	TIN-LEAD	
24	46113-0243	TIN	25.11/1.989
	46113-0246	TIN-LEAD	
28	46113-0283	TIN	27.65/1.089
	46113-0286	TIN-LEAD	
32	46113-0323	TIN	30.19/1.189
	46113-0326	TIN-LEAD	
36	46113-0363	TIN	32.73/1.289
	46113-0366	TIN-LEAD	
40	46113-0403	TIN	35.27/1.389
	46113-0406	TIN-LEAD	

REV & REFORMAT DWG EC NO: UCP2013-1470 DRWN: JUILLES 2012/11/01 CHKD: MBANDURA 2013/01/03 APPR: APATEL 2013/01/16	QUALITY SYMBOLS	GENERAL TOLERANCES (UNLESS SPECIFIED)	DIMENSION STYLE	SCALE	DESIGN UNITS	THIRD ANGLE PROJECTION
	▽=0	mm INCH	MM/IN	3:1	METRIC	
	▽=0	4 PLACES ± --- ± ---	DRAWN BY DATE	TITLE		
	▽=0	3 PLACES ± --- ± .010	MKARADIMAS 2008/03/10	LPH VERTICAL RECEPTACLE SIGNAL ASSEMBLY		
	2 PLACES ± 0.25 ± ---	CHECKED BY DATE	12 CKT-40 CKT, PRESS-FIT			
	1 PLACE ± --- ± ---	MBANDURA 2008/03/14	molex			
	0 PLACE ± --- ± ---	APPROVED BY DATE	DOCUMENT NO.			
		JCOMERCI 2009/12/03	SD-46113-200			
			SHEET NO.			
			1 OF 2			
			THIS DRAWING CONTAINS INFORMATION THAT IS PROPRIETARY TO MOLEX INCORPORATED AND SHOULD NOT BE USED WITHOUT WRITTEN PERMISSION			

SIGNAL 24 CKT



RECOMMENDED EDGE CARD LAYOUT
EDGE CARD THICKNESS: 1.57/.062
PLATING: GOLD 30μ INCHES MIN
OVER 150μ INCHES NICKEL



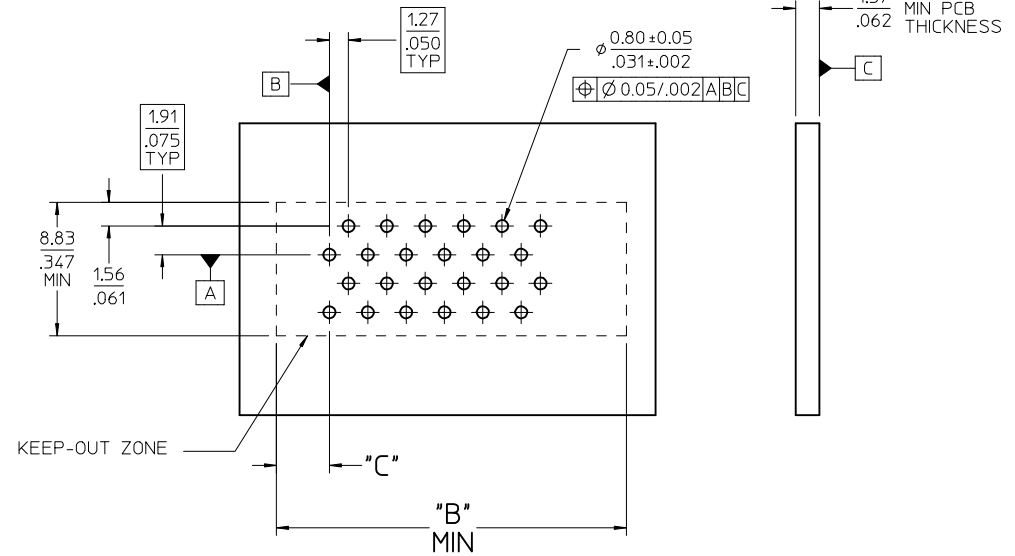
PCB LAYOUT: COMPONENT SIDE
SEE SHT 1 FOR DIMENSIONS

SIGNAL HOUSING ASSY - STANDARD

NO OF CKTS	MATERIAL NUMBER	DIM "B"	DIM "C"	DIM "D"
12	46113-0121	12.65/.498	3.51/.138	8.00/.315
	46113-0125			
16	46113-0161	15.19/.598		10.54/.415
	46113-0165			
20	46113-0201	17.73/.698		13.08/.515
	46113-0205			
24	46113-0241	20.27/.798		15.62/.615
	46113-0245			
28	46113-0281	22.81/.898		18.16/.715
	46113-0285			
32	46113-0321	25.35/.998	20.70/.815	
	46113-0325			
36	46113-0361	27.89/1.098	23.24/.915	
	46113-0365			
40	46113-0401	30.43/1.198	25.78/1.015	
	46113-0405			

SIGNAL HOUSING ASSY W/2 GUIDES

NO OF CKTS	MATERIAL NUMBER	DIM "B"	DIM "C"	DIM "D"
12	46113-0123	18.01/.709	5.97/.235	8.00/.315
	46113-0126			
16	46113-0163	20.55/.809		10.54/.415
	46113-0166			
20	46113-0203	25.63/1.009		13.08/.515
	46113-0206			
24	46113-0243	25.88/1.019		15.62/.615
	46113-0246			
28	46113-0283	28.17/1.109		18.16/.715
	46113-0286			
32	46113-0323	30.71/1.209	20.70/.815	
	46113-0326			
36	46113-0363	33.25/1.309	23.24/.915	
	46113-0366			
40	46113-0403	35.79/1.409	25.78/1.015	
	46113-0406			



PCB COMPONENT SIDE

SEE SHEET 1 EC NO: UCP2013-1470 DRWN: JUILLES 2012/11/01 CHKD: MBANDURA 2013/01/03 APPR: APATEL 2013/01/16	QUALITY SYMBOLS ▽=0 ▽=0 ▽=0	GENERAL TOLERANCES (UNLESS SPECIFIED)		DIMENSION STYLE MM/IN		SCALE 4:1	DESIGN UNITS METRIC	THIRD ANGLE PROJECTION	
		4 PLACES ± --- ± ---	3 PLACES ± --- ± .010	2 PLACES ± 0.25 ± ---	1 PLACE ± --- ± ---	0 PLACE ± --- ± ---	DRAWN BY MKARADIMAS 2008/03/10		
		ANGULAR ±1/2°		MATERIAL NO. SEE CHART		DATE 2008/03/14		TITLE LPH VERTICAL RECEPTACLE SIGNAL ASSEMBLY 12 CKT-40 CKT, PRESS-FIT	
		DRAFT WHERE APPLICABLE MUST REMAIN WITHIN DIMENSIONS		SIZE C		DATE 2009/12/03		DOCUMENT NO. SD-46113-200	
THIS DRAWING CONTAINS INFORMATION THAT IS PROPRIETARY TO MOLEX INCORPORATED AND SHOULD NOT BE USED WITHOUT WRITTEN PERMISSION									