



# PRODUCT DATASHEET

## Tina series

last update 5/6/2012

### DETAILS

<b>Product Number</b>	CP12683_TINA2-D
<b>Family</b>	Tina
<b>Type</b>	Assembly
<b>Color</b>	black
<b>Diameter</b>	16,1 mm
<b>Height</b>	11 mm
<b>Style</b>	round
<b>Optic Material</b>	PMMA
<b>Holder Material</b>	
<b>Fastening</b>	glue
<b>Status</b>	production ready
<b>ROHS Compliant</b>	Yes
<b>Date Updated</b>	5/06/2012



### OPTICAL PROPERTIES

LED	Viewing Angle	Light Beam	Efficiency	cd/lm	Connector
MX-6	20 deg	Diffuser	86 %	4.000	-
NS6x83	22 deg	Diffuser	90 %	3.800	-

D

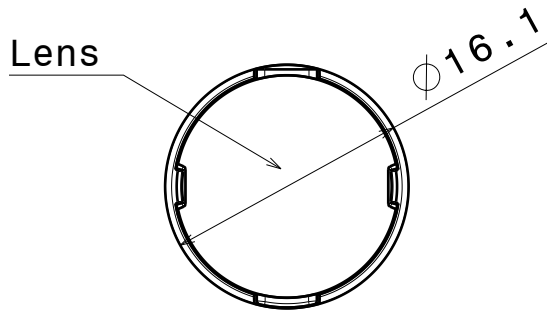
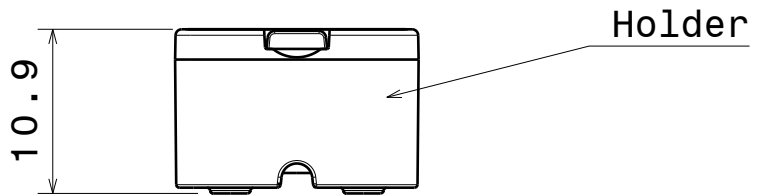
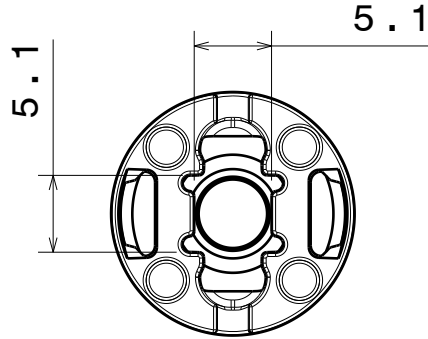
C

B

A



Isometric view  
Scale: 1:1



Materials:  
Lens PMMA  
Holder PC, Black

Tolerances for dimensions:  
0-20mm tolerance value  $\pm 0.1\text{mm}$   
21-45mm tolerance value  $\pm 0.2\text{mm}$   
46-90mm tolerance value  $\pm 0.3\text{mm}$   
91-100mm tolerance value  $\pm 0.4\text{mm}$   
101-mm tolerance value  $\pm 0.5\text{mm}$

This drawing is our property.  
It can't be reproduced  
or communicated without  
our written agreement.



Ledil Oy  
Salorankatu 10  
FIN 24240 SALO  
Finland

DRAWING TITLE

Datasheet Tina2 N83 Glue Assy

DRAWN BY

pv

DATE

11.04.2012

CHECKED BY

sn

DATE

12.03.2012

SIZE

A4

DRAWING NUMBER

-

REV

1

DESIGNED BY

pv

DATE

12.03.2012

SCALE

2:1

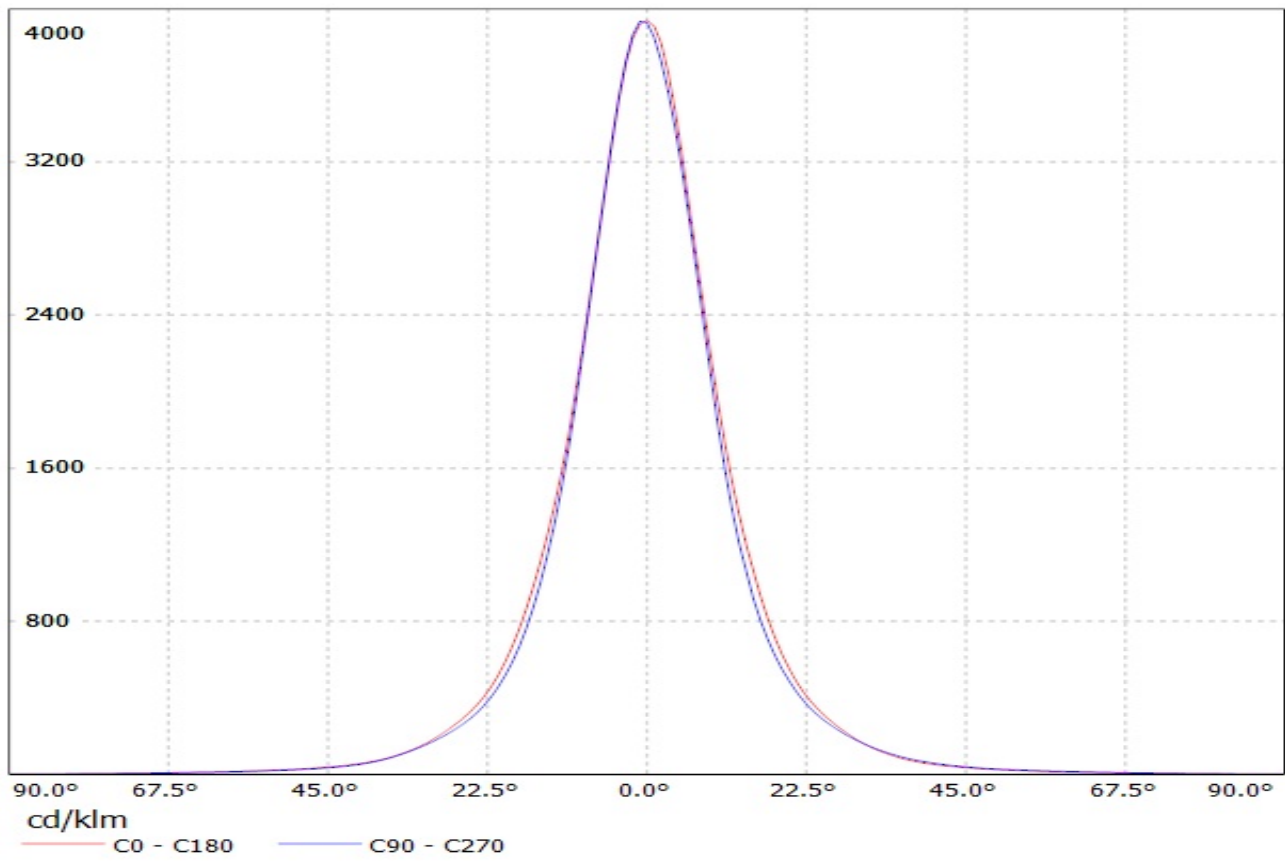
WEIGHT (g)

SHEET

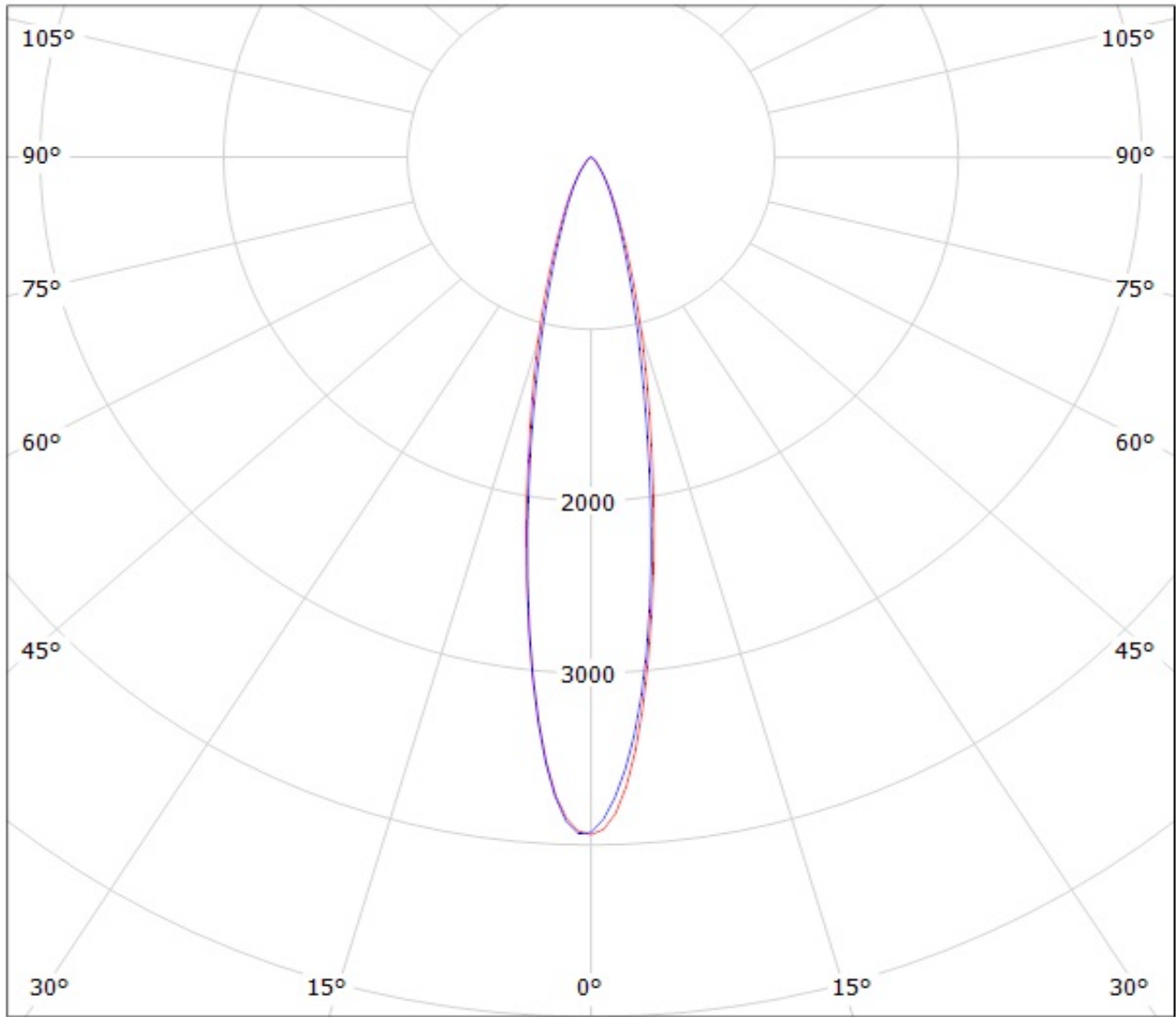
1/1

A

Luminaire: LEDIL OY CP12683\_TINA2-D & CA11172\_TINA2-D (Cree MX-6) Efficiency=86%  
Lamps: 1 x Cree MX-6 (67lm @ 250mA)



Luminaire: LEDIL OY CP12683\_TINA2-D & CA11172\_TINA2-D (Cree MX-6) Efficiency=86%  
Lamps: 1 x Cree MX-6 (67lm @ 250mA)



cd/klm

— C0 - C180

— C90 - C270

**NOTE: The typical divergence will be changed by different color, chip size and chip position tolerance. The typical total divergence is the full angle measured where the luminous intensity is half of the peak value.**