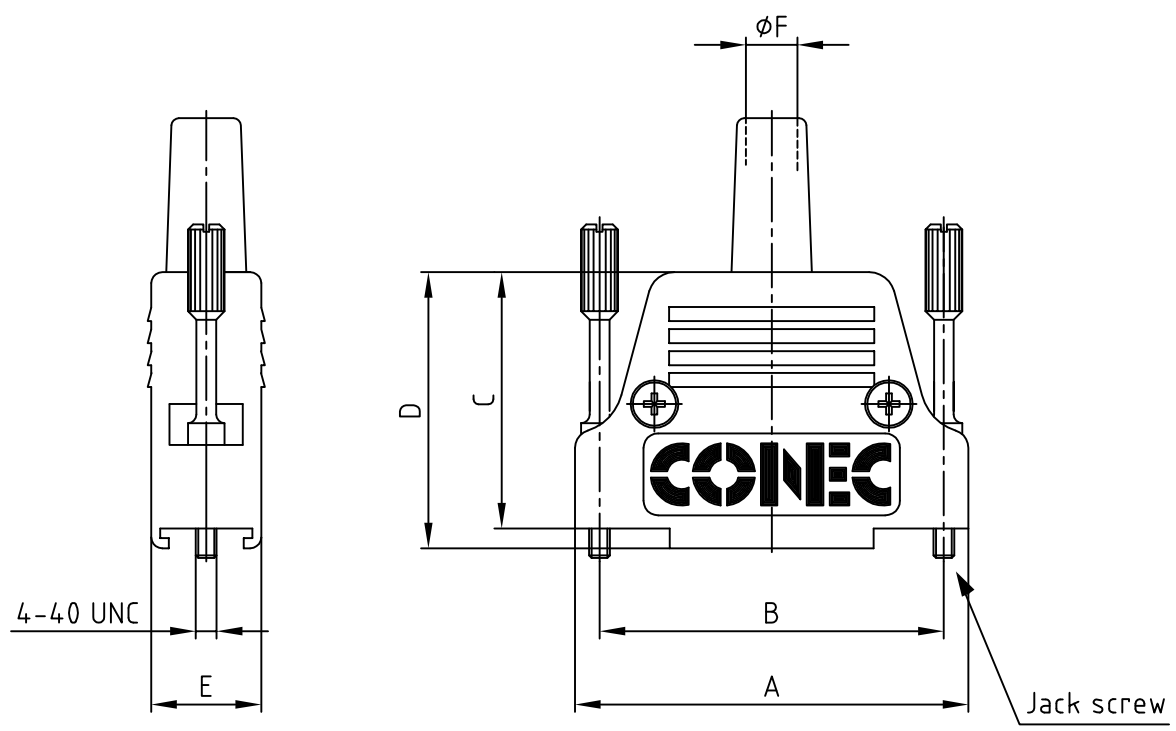


used for: D-SUB



No. of pos.	A	B	C	D	E	øF	Part NO. Bulk package	Part NO. Single package
9	31.7	25.0	30.0	32.7	15.0	5.0	165X17309X	165X17309XE
15	40.0	33.3	32.0	34.7	15.0	5.0	165X17319X	165X17319XE
25	53.7	47.0	35.0	37.7	15.0	7.0	165X17329X	165X17329XE
37	70.2	63.5	41.0	43.7	15.0	7.0	165X17339X	165X17339XE
50	67.8	61.1	41.0	43.7	17.7	9.3	165X17349X	165X17349XE

ⓑ

Directive 2002/95/EC RoHS compliant

THIS DRAWING MAY NOT BE COPIED OR REPRODUCED IN ANY WAY, AND MAY NOT BE PASSED ON TO A THIRD PARTY WITHOUT WRITTEN PERMISSION.
 OWNERSHIP AND COPYRIGHT OF CONEC GmbH
 DO NOT ALTER CAD DRAWING BY HAND

tolerance			
2002	date	name	
drawn	30.01.	Parei	
appd.	30.01.	E. Mickenbecker	
norm			
d-old			
1 x b	Ä4159	15.11.2011	K.H.
a	Original		
rev.	description	date	name

scale:	1:1	
material:		
title:	FULL METAL HOOD 9-50pos. with straight cable exit with jack screws	
dwg no:	AutoCAD 2000	DIN-A
	16K1A465A	4
part no:	SEE TABLE	
		sh: 1/1