

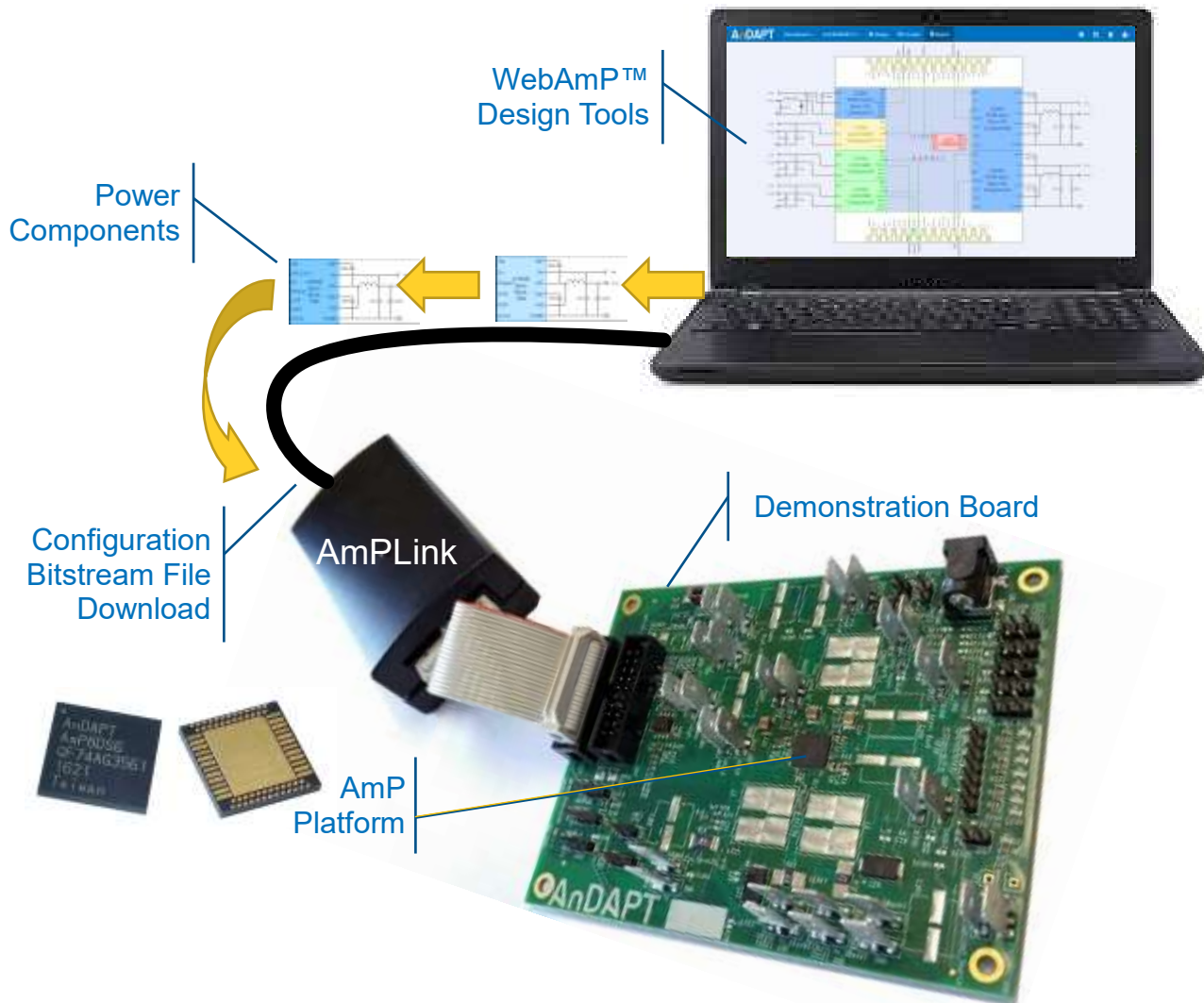
Features

- AmP8DS6QF74 Platform on board
- Demonstrates Power Components:
 - Synchronous Buck
 - Asynchronous Buck
 - LDO
 - Load Switch
 - Supervisor Functions
- Connects to AmPLink™ USB adapter
- WebAmP Tool Downloads Configuration File
 - .HEX file to program on board Flash memory
 - .HAX file to configure AmP device directly

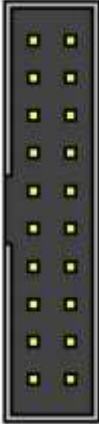
Description

The AmP Demonstration Board enables evaluation of Power Components on the AmP, Adaptive Multi-Rail Power Platform. Power Components are assembled in the WebAmP design tool and compiled into a Configuration Bitstream File. The AmPLink Control program downloads the file over the AmPLink USB adapter to the AmPDB1 Demonstration Board. The .HEX file is used to download to the Flash memory or the .HAX file is used to download directly to the AmP Platform. Synchronous Buck, Asynchronous Buck, LDO, Load Switch and Supervisor Power Components may then be evaluated.

Application of Demonstration Board

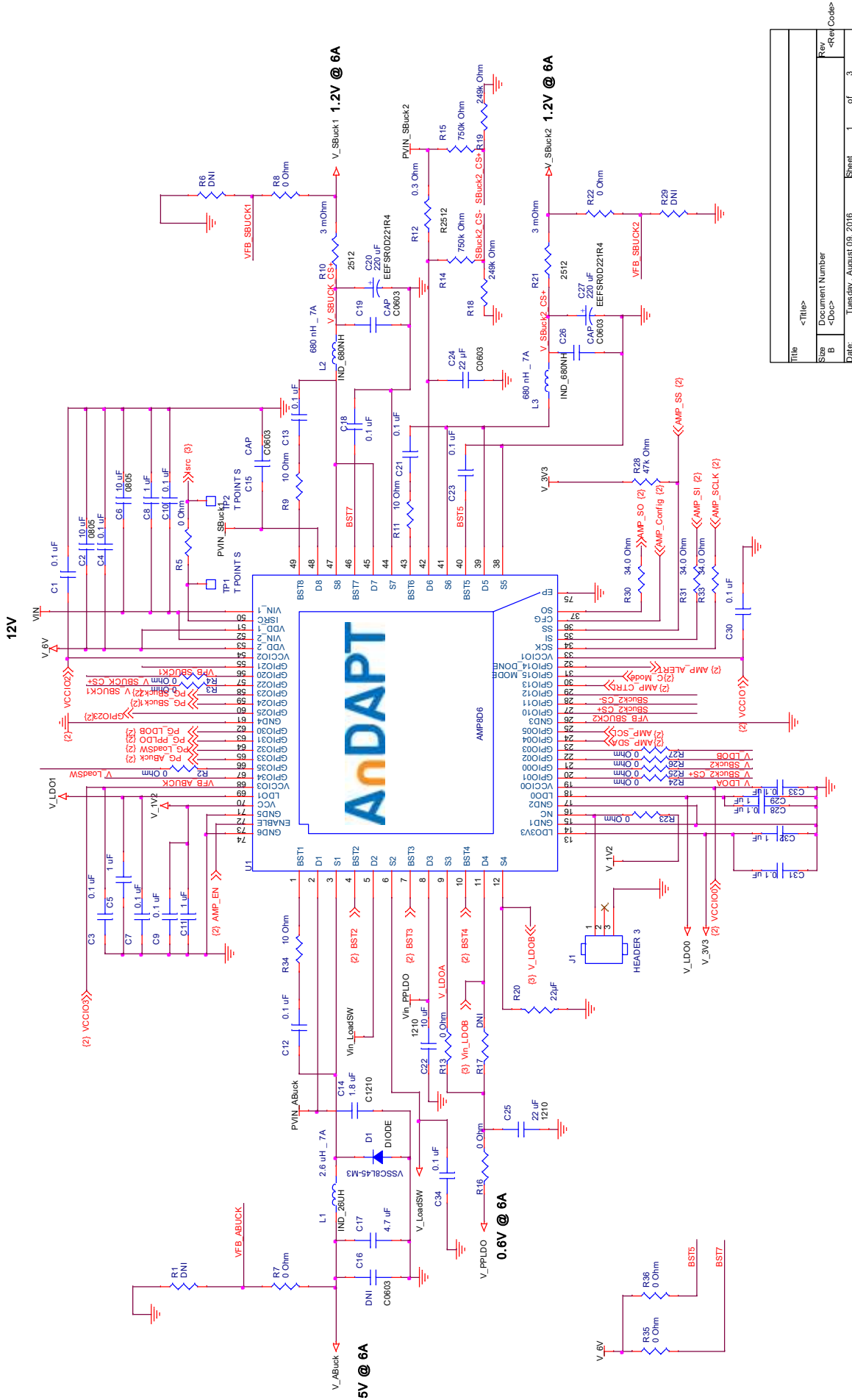


AmPLink Pin Out

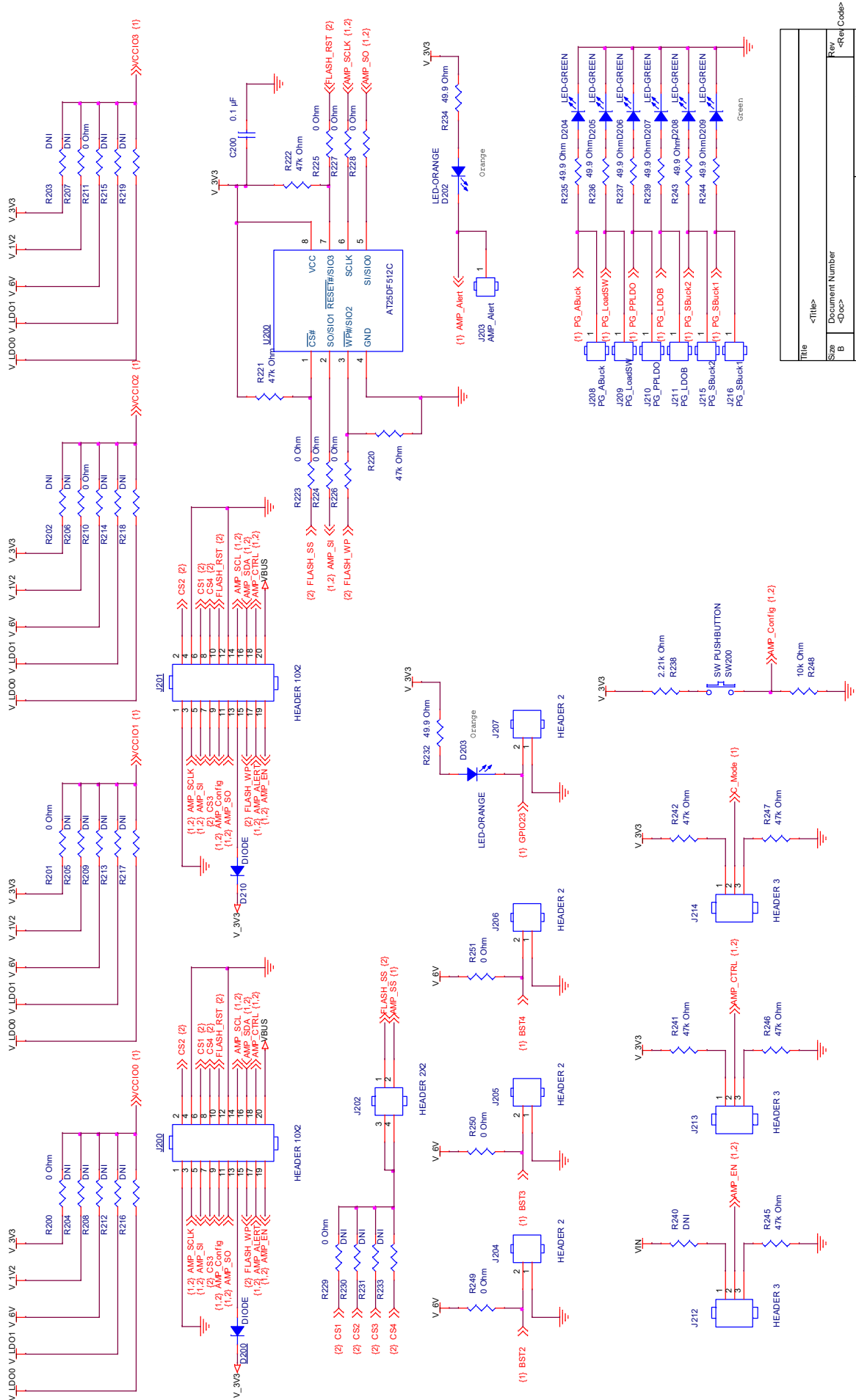
GND – 1		2 – CS2
AMP_SCLK – 3		4 – GND
AMP_SI – 5		6 – CS1
CS3 – 7		8 – CS4
AMP_Config – 9		10 – FLASH_RST
AMP_SO – 11		12 – GND
3.3V – 13		14 – AMP_SCL
FLASH_WP – 15		16 – AMP_SDA
AMP_ALERT – 17		18 – AMP_CTRL
AMP_EN – 19		20 – VBUS

Demonstration Board AmPDB1

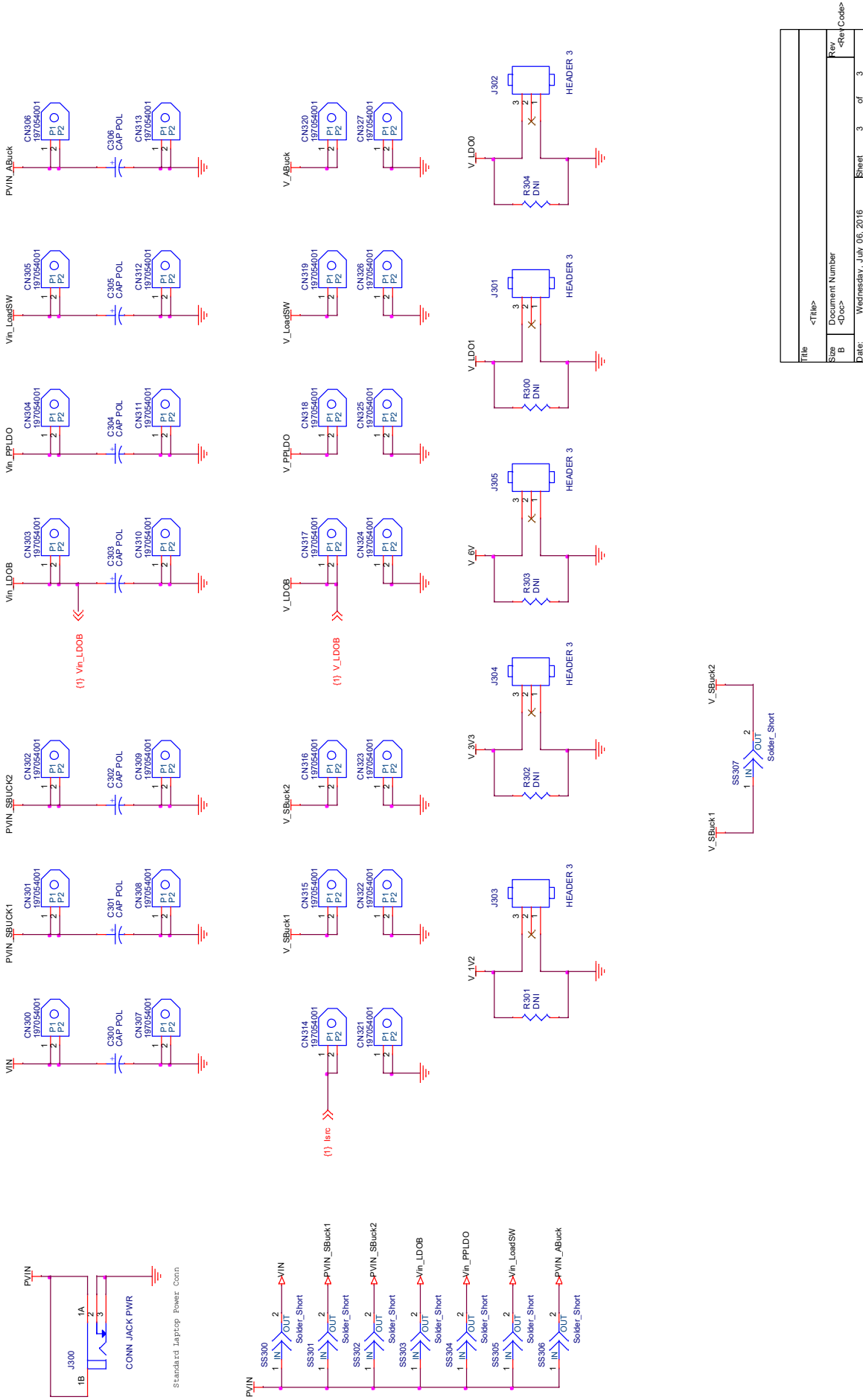




Title	<Title>
Size	Document Number
B	<Doc>
Rev	<Rev Code>
Date:	Tuesday, August 09, 2016
Sheet	1 of 3



Title	<Title>	Rev	<Rev Code>
Size	Document Number	Rev	<Rev Code>
B	<Doc>		
Date:	Wednesday, July 06, 2016	Sheet	2 of 3



Title	<Title>
Size	Document Number
B	<Doc>
Date:	Wednesday, July 06, 2016
Sheet	3 of 3
Rev	<Rev Code>

Additional Resources

- AmP Platform Datasheet
- AmPLink Datasheet
- Power Components Datasheets

Revision History

Date	Revision
8/1/2016	Initial


On-Demand Power Management

<https://www.andapt.com>

Trademarks

© 2016 AnDAPT, the AnDAPT logo, AmP, WebAmP, AmPLink, AmPScope and other designated brands included herein are trademarks of AnDAPT in the United States and other countries. All other trademarks are the property of their respective owners.