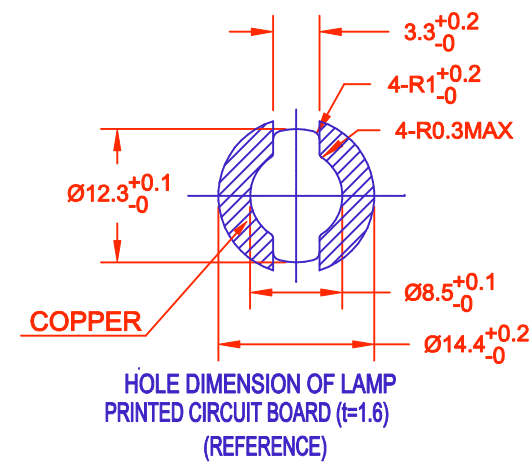
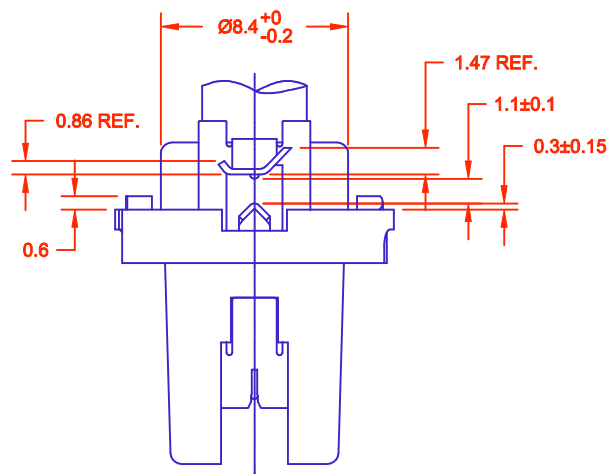
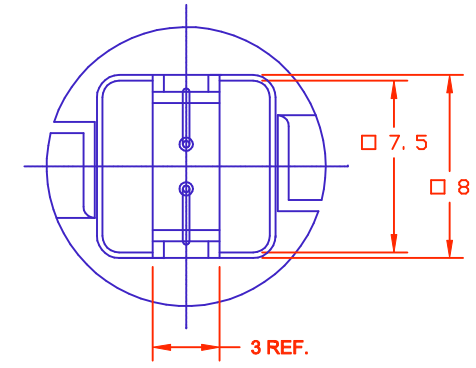
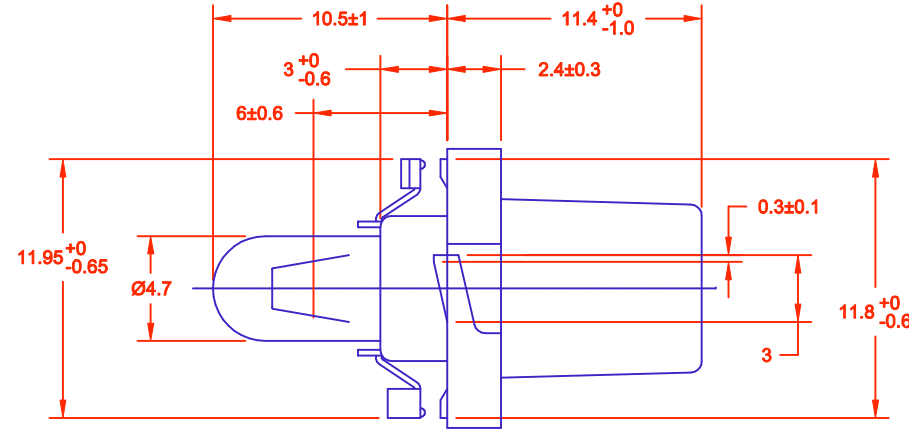
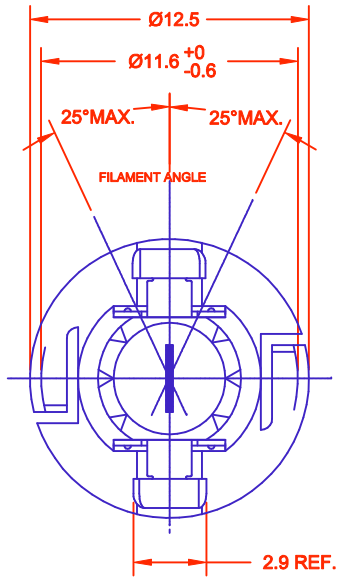


REV.	DESCRIPTION/ECO NO.	DATE
	RELEASED & CANCEL P-0011-09	10/19/01
A	DIMENSION LINE CHANGE	11/9/01
B	CORRECT LAMP NUMBER	2/20/02



**NOTE: DOWNWARD FORCE TO BE APPLIED WHEN INSERTING INTO P.C. BOARD.**

JKL PART NO.: WWT1-EW10/GRN

LAMP NUMBER: EW10						
VOLTS RATED	AMPS ± 10%	WATTS	*MSCP ± 25%	*LUMENS ± 25%	AVERAGE LIFE HRS.	FILAMENT TYPE
14.0	.100	1.4	.500	6.29	5,000 DC	C-2F

\*LAMP RATING ONLY WITHOUT BASE

**BASE COLOR: LIGHT GREEN**

 METRIC THIRD ANGLE PROJECTION	DIMENSIONS ARE IN MILLIMETERS TOLERANCE UNLESS OTHERWISE SPECIFIED 1 PL +/- 0.2 2 PL +/- 0 ANGLE +/- 0		<b>JKL COMPONENTS CORPORATION</b>			
	TITLE <b>WELDED WIRE TERMINAL LAMP IN BASE</b>					
DRAWN BY L. WENGSTROM	APPVD BY J. KAHL	DATE 2/20/02	SIZE A	FSCM NO. <b>55335</b>	DRAWING NO. <b>WWT1-EW10/GRN</b>	REV. <b>B</b>
MANUAL REVISIONS NOT PERMITTED			SCALE NONE	RELEASED DATE 10/19/01	REVISION DATE 2/20/02	SHEET 1 OF 1